



Landmark Series™ Container

Congratulations on your purchase of Rubbermaid's Landmark Series™ Container. Here are the directions to assemble the following containers. Please read all of the instructions and be sure you have received all components before assembling the container.

- 3966—20 Gallon Ash/Trash Container
- 3967—20 Gallon Funnel Top
- 3970—35 Gallon Refuse Container
- 3971—35 Gallon Ash/Trash Container

- 3972—35 Gallon Funnel Top
 - 3975—45 Gallon Refuse Container
 - 3976—45 Gallon Ash/Trash Container
 - 3977—45 Gallon Funnel Top
- 3975-L1

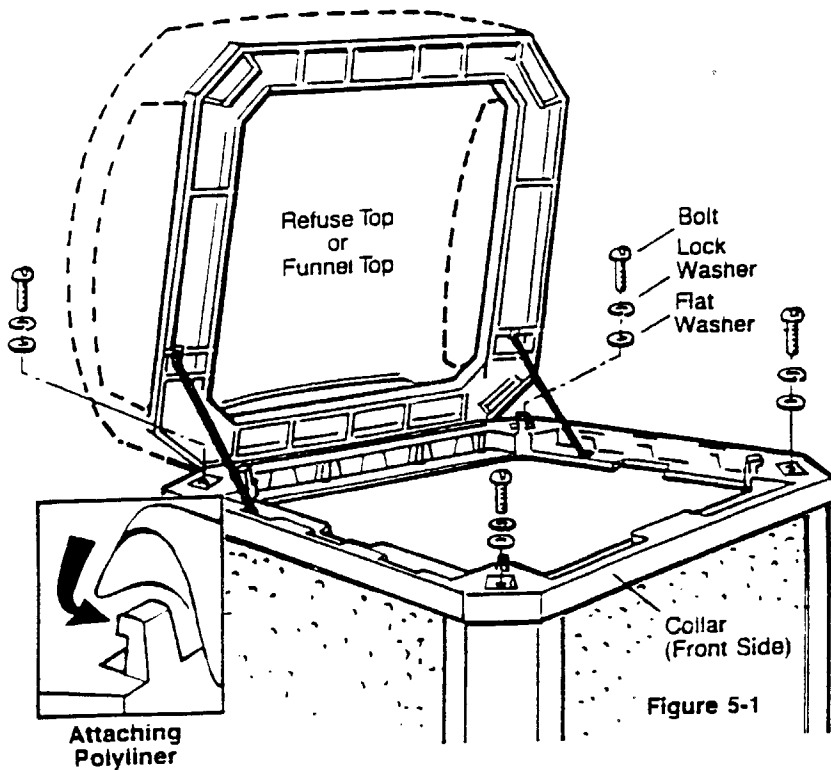
TOOLS REQUIRED: 1 large flat screwdriver

Components Chart

Component/Item Number	3966 20 Gallon Ash/Trash	3967 20 Gallon Funnel Top	3970 35 Gallon Refuse	3971 35 Gallon Ash/Trash	3972 35 Gallon Funnel Top	3975 45 Gallon Refuse	3976 45 Gallon Ash/Trash	3977 45 Gallon Funnel Top
Base 3961-L2	X	X						
Base 3975-L2			X	X	X	X	X	X
Funnel Top Assembly (consists of) Rainhood 3975-L1 Collar 3962-L2		X						
Funnel Top Assembly (consists of) Rainhood 3975-L1 Rain Collar 3975-L3 or Rainhood Collar w/lock 3975-L4 Collar 3975-L5			X			X		
Ash/Trash Top 3961-L1	X							
Ash/Trash Top 3976-L1				X			X	
Funnel Top 3972-L1					X			X
Collar 3975-L5	X		X	X	X		X	X
(4) 25¼" Plastic Legs 3970-L1	X	X	X	X	X			
(4) 32" Plastic Legs 3975-L6						X	X	X
(4) 28" Metal Legs 3970-L2	X	X	X	X	X			
(4) 34½" Metal Legs 3975-L2						X	X	X
Hardware Kit 3970-L3	X	X	X	X	X	X	X	X
35 Gallon Rigid Liner 3958			X	X	X			
45 Gallon Rigid Liner 3959						X	X	X
Ashtray 3961-L3	X			X			X	
(4) 28" Panels (separate carton)	X	X	X	X	X			
(4) 34½" Panels (separate carton)						X	X	X

S.M.G., J.F., S.M., P.N.

Step 5- Refuse Top/Funnel Top Fastening (3967, 3970, 3972, 3975, 3977)

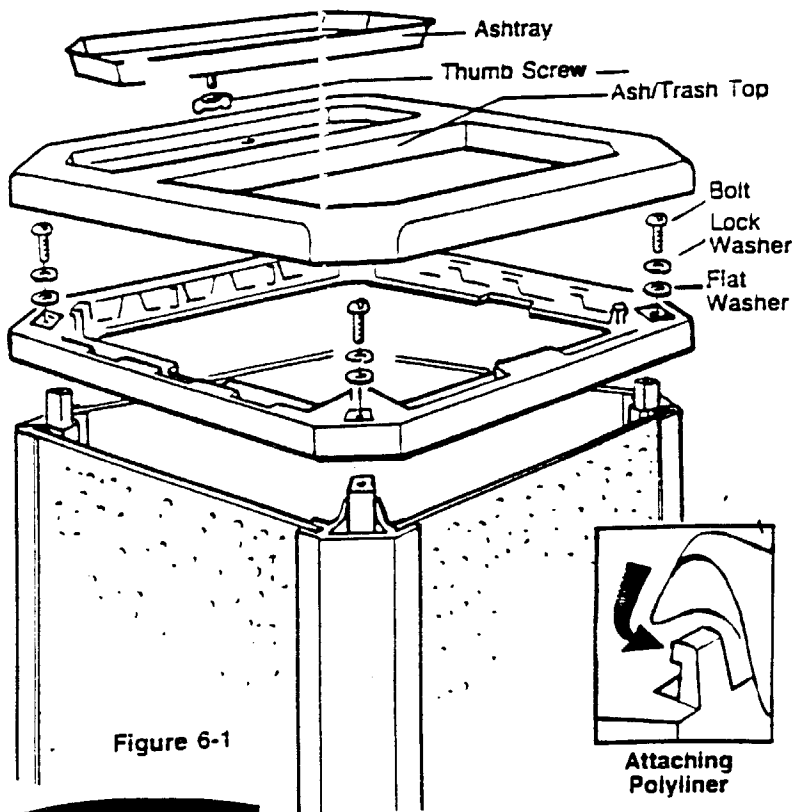


Parts Needed:

- (4) Bolts, (4) Lock Washers,
- (4) Flat Washers

1. Pivot top backwards to expose the square sockets in the collar (Do not let the top pivot back all the way or it could pull collar from legs.)
2. Fasten the front side of collar down with (2) bolts, (2) lock washers and (2) flat washers. See Figure 5-1.
3. Fasten hinge side of collar with (2) bolts, (2) lock washers and (2) flat washers.
4. Tighten all bolts securely.
5. Place rigid liner through opening in the collar. Settle liner squarely in the base.
6. Place optional Polyliner inside of rigid liner. Wrap around bag hooks. See Polyliner detail!
7. Your container is ready for use.

Step 6- Ash/Trash Assembly (3971, 3976 only)



Parts Needed:

- Ash/Trash Top, Collar, (4) Bolts,
- (4) Lock Washers, (4) Flat Washers

1. Place collar on container as shown in Figure 6-1. Adjust one corner at a time until collar is seated firmly on the plastic legs, and the metal legs are seated in the square sockets in the collar.
2. Fasten collar to uprights with (4) bolts, (4) lock washers and (4) flat washers.
3. Tighten all bolts securely.
4. Place rigid liner through the opening in the collar. Settle liner squarely in the base.
5. Place optional Polyliner inside of rigid liner. Wrap around bag hooks. See Polyliner detail.
6. Place Ash/Trash Top onto fastened collar.
7. Ash Tray can be secured to Ash/Trash Top with thumb screw.
8. Your container is ready for use.

Rubbermaid®

Step 1 - Base Assembly

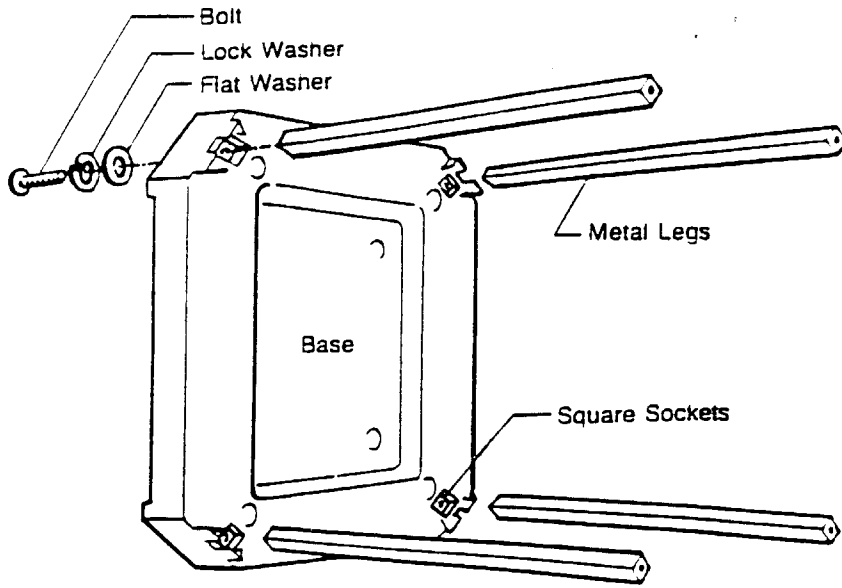


Figure 1-1

Parts Needed:

Base, (4) Metal Legs, (4) Bolts,
(4) Lock Washers, (4) Flat Washers

1. Place base on its side. Base should be placed on cardboard or soft surface to prevent scratches.
2. Insert metal legs into the (4) square sockets in the base. (See Figure 1-1)
3. Attach metal legs to base with the bolts, lock washers and flat washers.
4. Tighten all bolts securely.

Step 2 - Plastic Leg Assembly

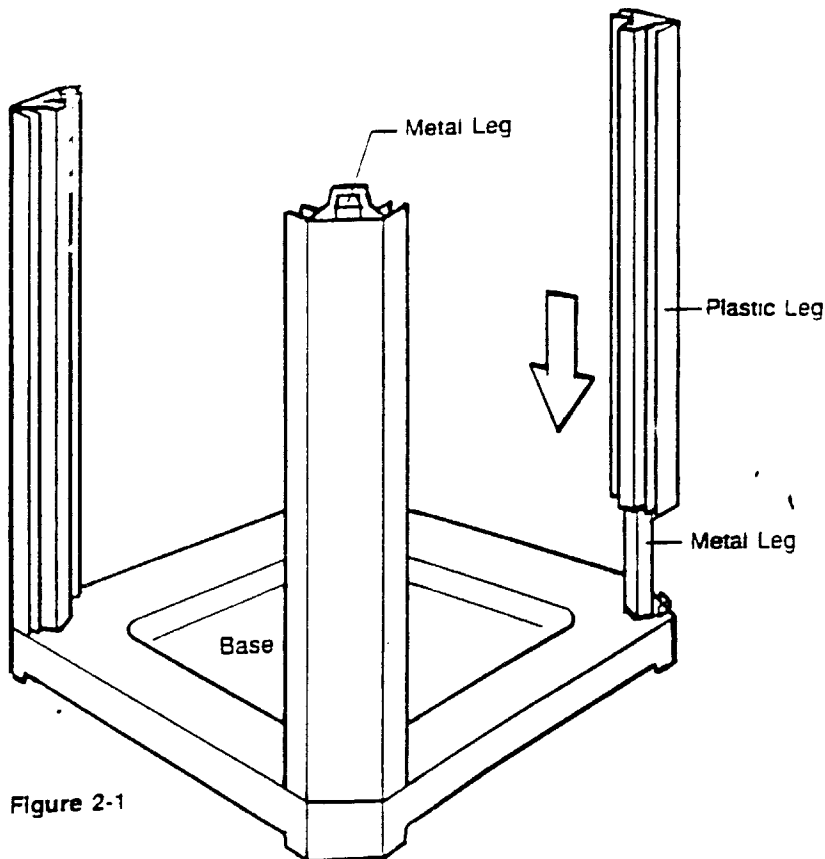
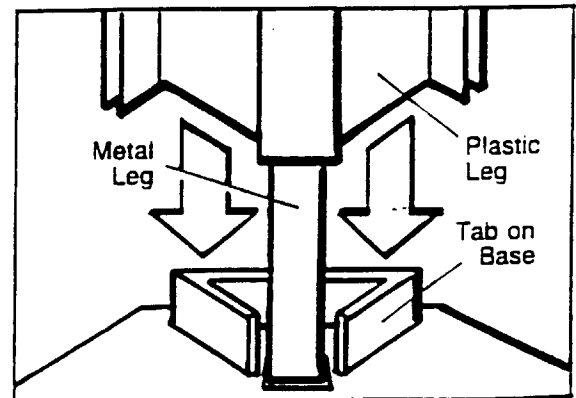


Figure 2-1

Parts Needed:

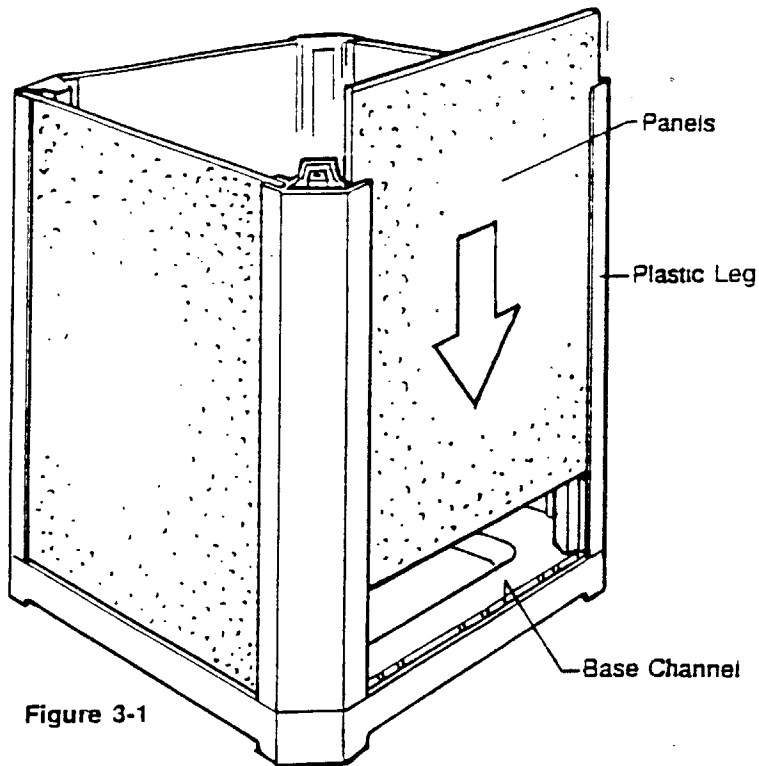
(4) Plastic Legs

1. Turn base over as shown. Slip (4) plastic legs over the metal legs
2. Make sure plastic legs are seated firmly in position over the tabs. See leg assembly detail. **DO NOT USE MALLET OR HAMMER.**



Leg Assembly Detail

Step 3 - Panel Assembly

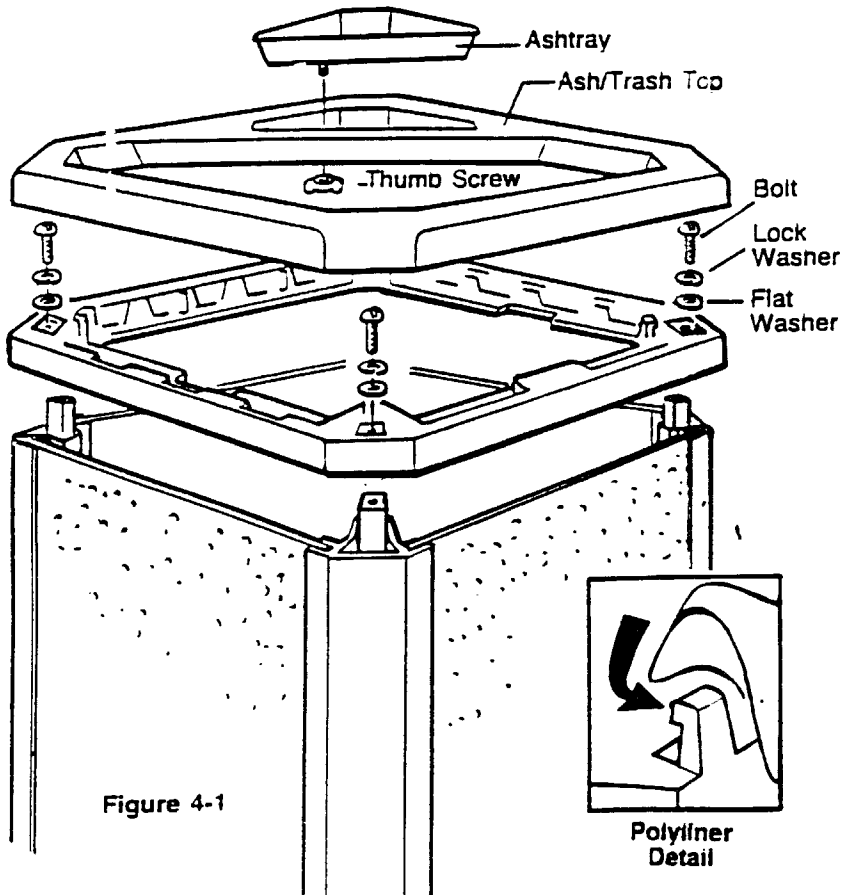


Parts Needed:

(4) Decorative Panels

1. Slip (4) panels into the channels in the plastic legs. Do not drop into place. (See Figure 3-1)
2. Press panels firmly into the channels in the base until they are securely seated.

Step 4 - Ash/Trash Assembly (3966 only)



Parts Needed:

Ash/Trash Top, Collar, Ashtray, (4) Bolts, (4) Lock Washers, (4) Flat Washers

1. Place collar on container as shown in Figure 4-1. Adjust one corner at a time until collar is seated firmly on the plastic legs, and the metal legs are seated in the square sockets in the collar.
2. Fasten collar to uprights with (4) bolts, (4) lock washers and (4) flat washers. 3. Tighten all bolts securely.
4. Place rigid liner through the opening in the collar. Settle liner squarely in the base. 5. Place optional Polyliner inside of rigid liner. Wrap around bag hooks. See Polyliner detail.
6. Place Ash/Trash Top onto fastened collar.
7. Ash Tray can be secured to Ash/Trash Top with thumb screw.
8. Your container is ready for use.