

# WARING COMMERCIAL<sup>®</sup>

BOLT™ CORDLESS LITHIUM  
IMMERSION BLENDER

LICUADORA DE MANO INALÁMBRICA  
CON BATERÍA DE LITIO THE BOLT™

MÉLANGEUR À MAIN SANS FIL  
AVEC PILE AU LITHIUM THE BOLT™



WSB38X



Intertek



Intertek

For your safety and continued enjoyment of this product,  
always read the instruction book carefully before using.

Para su seguridad y para disfrutar plenamente de este producto, siempre lea  
cuidadosamente las instrucciones antes de usarlo.

Afin que votre appareil vous procure en toute sécurité beaucoup de satisfaction,  
lire attentivement le mode d'emploi avant de l'utiliser.

# IMPORTANT SAFEGUARDS

When using electrical appliances, basic safety precautions should always be taken, including the following:

1. **READ ALL INSTRUCTIONS.**
2. **WARNING:** Read all safety warnings and instructions. Failure to follow the warnings and instructions may result in electric shock, fire or serious injury.
3. To protect against risk of electrical shock, do not place battery pack or motor housing in water or other liquids. The protective blade guard and shaft of this appliance have been designed for submersion in water or other liquids. Never submerge any other portion of this unit in any liquid.
4. This appliance should not be used by children. Care should be taken when used near children.
5. Avoid contact with moving parts.
6. Keep hands, hair, clothing and utensils away from blade and mixing container while operating the BOLT™ Cordless Lithium Immersion Blender, to prevent the possibility of severe injury to persons and/or damage to the Immersion Blender.
7. A spatula may be used, but must be used only when the unit is not operating.
8. Do not operate the BOLT™ Cordless Lithium Immersion Blender or any other electrical appliance after the unit malfunctions, or is dropped or damaged in any manner. Return it to the nearest authorized service facility for examination, repair, or adjustment.
9. The use of accessory attachments not recommended or sold by Waring for this specific model may cause fire, electric shock, or injury.
10. Do not use outdoors.
11. Blades are very sharp. Handle carefully.
12. When mixing liquids, especially hot liquids, use a tall container to reduce spillage and possibility of injury.
13. This appliance is not intended for use by persons (including children) with reduced physical, sensory or mental capabilities, or lack of experience and knowledge.
14. Only use with specifically designated battery pack: BP2050A. Use of any other battery pack may create a risk of injury and fire.

15. When battery pack is not in use, keep it away from other metal objects, like paper clips, coins, keys, nails, screws or other small metal objects, that can make a connection from one terminal to another. Shorting the battery terminals together may cause burns or a fire.
16. Do not use a battery pack or appliance that is damaged or modified. Damaged or modified batteries may exhibit unpredictable behavior resulting in fire, explosion or risk of injury.
17. Do not expose a battery pack or appliance to fire or excessive temperature. Exposure to fire or temperature above 265°F (130°C) may cause explosion.
18. Disconnect the battery pack from the appliance before making any adjustments, changing accessories, or storing appliance. Such preventive safety measures reduce the risk of starting the appliance accidentally.
19. To prevent unintentional starting, do not carry the appliance with your finger on the Power or Safety switch.
20. Recharge only with the charger specified by the manufacturer. A charger that is suitable for one type of battery pack may create a risk of fire when used with another battery pack.
21. Under abusive conditions, liquid may be ejected from the battery; avoid contact. If contact accidentally occurs, flush with water. If liquid contacts eyes, additionally seek medical help. Liquid ejected from the battery may cause irritation or burns.
22. Follow all charging instructions and do not charge the battery pack or appliance outside of the temperature range specified in the instructions. Charging improperly or at temperatures outside the specified range may damage the battery and increase the risk of fire.
23. Have servicing performed by a qualified repair person using only identical replacement parts. This will ensure that the safety of the product is maintained.
24. Do not modify or attempt to repair the appliance or the battery pack except as indicated in the instructions for use and care.

# SAVE THESE INSTRUCTIONS

## APPROVED FOR COMMERCIAL USE

Only use with supplied adapter model R241-1401200U.

Only use with supplied battery pack BP-2050A to charger for charging or unit for operation.

Rating – Input 100~240V

50/60 Hz, 0.5A

Output 14v DC 1200mA

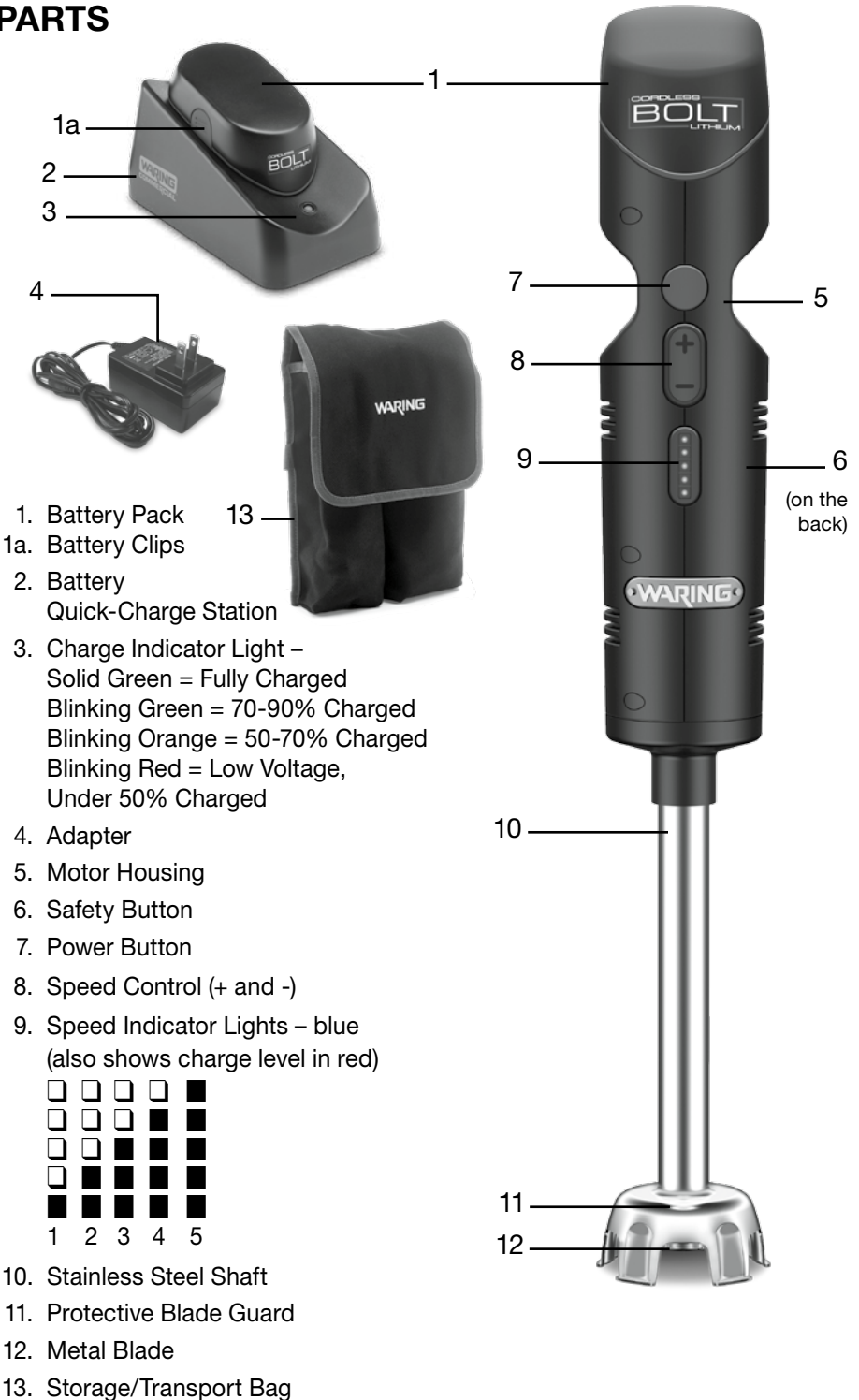
### INTENDED USE

Waring® Immersion Blenders are intended for use in restaurants, large kitchens and small companies when mixing for the perfect consistency. You can operate directly in the pot to mix everything from soups, salad dressings, pancake mixes, pastes, sauces, mayonnaise and more. For nurseries or for special diets, use the immersion blender to prepare purées of vegetables, porridge, fresh carrot purée, fruit creams, etc.

### BEFORE YOU BEGIN

After unpacking your new immersion blender, wipe the exterior of the motor housing and battery pack with a clean, damp cloth to remove any dirt or dust that may have accumulated during shipping. While the stainless steel shaft is detached, rinse under running water, being sure to rinse the metal blade. Dry thoroughly with a soft, absorbent cloth. **CAUTION:** Blade is sharp.

# PARTS



- 1. Battery Pack
  - 1a. Battery Clips
  - 2. Battery Quick-Charge Station
  - 3. Charge Indicator Light –  
Solid Green = Fully Charged  
Blinking Green = 70-90% Charged  
Blinking Orange = 50-70% Charged  
Blinking Red = Low Voltage,  
Under 50% Charged
  - 4. Adapter
  - 5. Motor Housing
  - 6. Safety Button
  - 7. Power Button
  - 8. Speed Control (+ and -)
  - 9. Speed Indicator Lights – blue  
(also shows charge level in red)
- |                                     |                                     |                                     |                                     |                                     |
|-------------------------------------|-------------------------------------|-------------------------------------|-------------------------------------|-------------------------------------|
| <input type="checkbox"/>            | <input type="checkbox"/>            | <input type="checkbox"/>            | <input type="checkbox"/>            | <input checked="" type="checkbox"/> |
| <input type="checkbox"/>            | <input type="checkbox"/>            | <input type="checkbox"/>            | <input checked="" type="checkbox"/> | <input checked="" type="checkbox"/> |
| <input type="checkbox"/>            | <input type="checkbox"/>            | <input checked="" type="checkbox"/> | <input checked="" type="checkbox"/> | <input checked="" type="checkbox"/> |
| <input type="checkbox"/>            | <input checked="" type="checkbox"/> | <input checked="" type="checkbox"/> | <input checked="" type="checkbox"/> | <input checked="" type="checkbox"/> |
| <input checked="" type="checkbox"/> | <input checked="" type="checkbox"/> | <input checked="" type="checkbox"/> | <input checked="" type="checkbox"/> | <input checked="" type="checkbox"/> |
| 1                                   | 2                                   | 3                                   | 4                                   | 5                                   |
- 10. Stainless Steel Shaft
  - 11. Protective Blade Guard
  - 12. Metal Blade
  - 13. Storage/Transport Bag

# CHARGING INSTRUCTIONS

**CAUTION:** Charge and store the battery pack at room temperature only. Avoid exposure to high temperatures to prevent damage.

Before first use, place the battery pack into the battery quick-charge station and charge for 1.5 to 2 hours. Charge indicator light will illuminate when properly placed. Blinking green light indicates battery is charging, and solid green light indicates that it is fully charged.

To remove the battery from the motor housing or the quick charging station, press the blue clips inward and lift the battery up.

When the unit is assembled, you can check the level of charge by holding down on the safety button for around 6 seconds. The speed indicators will illuminate in red; if all the lights are lit, battery is fully charged. If only one light is lit, the battery charge is low.

# USING YOUR WARING® IMMERSION BLENDER

## ASSEMBLY

1. Attach the stainless steel shaft to the motor housing by aligning the metal coupling on the housing with the coupling on the shaft. Turn clockwise to secure.
2. Insert the battery pack onto the top of the motor housing. Battery pack will click into place.

## OPERATION

1. Plunge the immersion blender into the pot/mixing vessel. **DO NOT SUBMERGE MORE THAN  $\frac{3}{4}$  OF THE SHAFT.**
2. The immersion blender has two buttons: safety (back) and power (front). To start unit, press the safety and power buttons simultaneously. Release the safety button, but keep pressing the power button for as long as you wish to blend.
3. Select speeds by pressing the up and down (+ or -) switch. Speed ranges from 1, the lowest speed, to 5, the highest.  
**NOTE:** You can also select the speed before you start the unit.
4. Angle the immersion blender slightly and start to stir while keeping the blade off the bottom of the pot/mixing vessel.

5. Remove the immersion blender from the pot/mixing vessel after the blender has come to a complete stop. To prevent splattering, do not remove the immersion blender from liquid while it is on.

**NOTE:** Always remove the battery pack after each use. Keep the appliance out of reach of children.

**NOTE:** If a piece of food becomes lodged in the protective blade guard surrounding the metal blade, follow the safety instructions below:

1. Release the power button.
2. Remove the battery pack from the housing.
3. Detach the shaft from the housing.
4. Use a spatula to carefully remove the food lodged in the blade guard. **CAUTION:** The blade is very sharp. **DO NOT USE YOUR FINGERS TO REMOVE LODGED FOOD.**
5. Reassemble unit and continue blending.

## HELPFUL TIPS

- For best results, when a recipe calls for ice, use crushed ice and not whole cubes.
- Unit will default to the same speed it was on when last in use.
- Depending on the speeds used and what you are blending, the amount of time the charge will last may vary. For best results, charge the battery pack regularly.
- Speeds:
  - Speed 1: Low speed, 5K RPM
  - Speed 2: 7K RPM
  - Speed 3: 8.5K RPM
  - Speed 4: 11.5K RPM
  - Speed 5: High speed, 13K RPM

## TROUBLESHOOTING

This immersion blender is equipped with overload protection so that it does not overheat and cause any permanent damage. During operation, if you notice that the speed indicator lights on the front of the housing are blinking, stop use, remove the battery and allow it to cool down for approximately 90 seconds.

# CLEANING INSTRUCTIONS

THE BOLT™ CORDLESS LITHIUM IMMERSION BLENDER MUST BE CLEANED AND DRIED AFTER EACH USE, ACCORDING TO THE FOLLOWING INSTRUCTIONS.

Always remove the battery pack and shaft from housing before cleaning the metal blade. **The stainless steel shaft is dishwasher safe.**

## TO WASH BY HAND

### For Food Service Applications

- Wash, rinse, and sanitize the stainless steel shaft of the immersion blender prior to initial use, after each use, or whenever it will not be used again within a period of 1 hour.
- Washing solutions based on non-sudsing detergents, and chlorine-based sanitizing solutions having a minimum chloride concentration of 100 PPM are recommended.

The following washing, rinsing, and sanitizing solutions, or their equivalents may be used.

SOLUTION	PRODUCT	DILUTION IN WATER	TEMPERATURE
Washing	International Products Corporation LF2100 Liquid Low-Foam Cleaner	1%–2%: 1¼ – 2¾ Ounce/Gallon (lower dilution of 1% for normal cleaning and up to 2% for more stubborn soils)	Room Temperature
Rinsing	Plain Water		Warm 95°F (35°C)
Sanitizing	Clorox® Regular Bleach (8.25% Hypochlorite Concentration)	2 Teaspoons/Gallon (Alternately, a bleach with 5.25% Hypochlorite Concentration can be used at dilution of 3 teaspoons/gallon)	

### To Wash and Sanitize:

1. Rinse the exterior of the stainless steel shaft under running water. Scrub and flush the exterior and under the blade guard/ blade to dislodge and remove as much food residue as possible.
2. Wipe down the stainless steel shaft with a soft cloth or sponge dampened with the washing solution.
3. Immerse approximately ¾ of the length of the stainless steel



shaft in a container of the washing solution and run for two (2) minutes on High.

4. Repeat steps 2 and 3, using clean rinse water in place of the washing solution.

## **NOTE – IMPORTANT**

IN ORDER TO MINIMIZE THE POSSIBILITY OF SCALDING, TEMPERATURE OF THE WASHING SOLUTION AND RINSE WATER MUST NOT EXCEED 115°F (46°C).

5. Immerse approximately  $\frac{3}{4}$  of the length of the stainless steel shaft in a container of sanitizing solution and run for two minutes on LOW.
6. DO NOT RINSE AFTER SANITIZING IS COMPLETE. Allow to air-dry before use.

### **NOTE:**

DO NOT IMMERSE BATTERY PACK OR MOTOR HOUSING IN WASHING SOLUTION, RINSE WATER, OR SANITIZING SOLUTION. PREVENT LIQUID FROM RUNNING INTO BATTERY PACK BY WRINGING ALL EXCESS MOISTURE FROM CLOTHS OR SPONGES BEFORE USING THEM.

## **LIMITED ONE YEAR WARRANTY**

### **(U.S. and Canada only)**

Waring warrants every new COMMERCIAL PRODUCT to be free from defects in materials and workmanship for a period of one year from the date of purchase when used with foodstuffs, nonabrasive liquids (other than detergents) and nonabrasive semi-liquids, providing it has not been subject to loads in excess of the indicated rating.

Under this warranty, Waring will repair or replace any part, which, upon our examination, is defective in materials or workmanship provided the product is delivered prepaid to the Waring Service Center at 314 Ella T. Grasso Ave., Torrington, CT 06790, or any Factory Approved Service Center.

This warranty does not: a) apply to any product which has become worn, defective, damaged or broken due to use or due to repairs or servicing by other than the Waring Service Center or a Factory Approved Service Center or due to abuse, misuse, overloading or tampering; b) cover consequential damages of any kind.

The one year warranty is applicable only to appliances used in the United States and Canada. This supersedes all other express product warranty or guaranty statements. For Waring products sold outside of the U.S. and Canada, the warranty is the responsibility of the local importer or distributor.

This warranty may vary according to local regulations.

**WARNING:** This warranty is VOID if appliance is used on Direct Current (DC).

## **SERVICE**

Should service on this product in the United States or Canada be required at any time, call or write to:



WARING Service Center  
314 Ella T. Grasso Avenue  
Torrington, CT 06790  
Tel. (800) 492-7464  
Fax. (860) 496-9017

or nearest Authorized Service Center.

Replacement parts for Out of Warranty repairs are obtainable at the above address.

## **DISPOSAL/RECYCLING OF BATTERIES**

This product uses two Li-ion rechargeable and recyclable batteries. At the end of the batteries' useful life, they should be recycled. These batteries must not be incinerated or composted. Li-ion batteries should not be put in municipal waste systems. Contact your local waste collection agency for proper recycling and disposal information for your area. Please do not attempt to dismantle the power handle to replace these batteries on your own. Damage could result to the unit.

# MEDIDAS DE SEGURIDAD IMPORTANTES

Al usar aparatos eléctricos, siempre debe tomar precauciones básicas de seguridad, incluso las siguientes:

1. **LEA TODAS LAS INSTRUCCIONES.**
2. **ADVERTENCIA:** lea todas las instrucciones y medidas de seguridad antes del uso. El incumplimiento de las advertencias e instrucciones puede provocar una descarga eléctrica, un incendio o heridas graves.
3. Para reducir el riesgo de descarga eléctrica, no coloque el bloque-motor o la batería recargable en agua ni en ningún otro líquido. Solo la cuchilla, el protector de cuchilla y la varilla son sumergibles. Nunca sumerja ninguna otra parte del aparato en agua ni en ningún otro líquido.
4. Este aparato no debe ser usado por niños. Supervise su uso cuidadosamente cuando esté utilizado cerca de ellos.
5. Evite el contacto con las piezas móviles.
6. Para reducir el riesgo de herida grave o de daño al aparato, mantenga las manos, la ropa y los utensilios alejados de la cuchilla y del recipiente durante el uso.
7. Se podrá usar una espátula de goma, siempre que el aparato esté apagado.
8. No utilice este aparato si el cable o la clavija estuviesen dañados, después de que hubiese funcionado mal o que se hubiese caído o si estuviese dañado; regréselo a un centro de servicio autorizado para su revisión, reparación o ajuste.
9. El uso de accesorios no recomendados o vendidos por Waring para uso con este modelo presenta un riesgo de incendio, descarga eléctrica o heridas.
10. No lo utilice en exteriores.
11. Los filos de la cuchilla son muy afilados; manipule esta con mucho cuidado.
12. Para reducir el riesgo de salpicadura o herida al mezclar líquidos, especialmente líquidos calientes, utilice un recipiente alto.
13. Los niños o las personas que carezcan de la experiencia o de los conocimientos necesarios para manipular el aparato,

o aquellas cuyas capacidades físicas, sensoriales o mentales estén limitadas, no deben utilizar este aparato.

14. Utilice solamente la batería recargable provista (modelo BP-250A). Usar otra batería recargable para operar el aparato presenta un riesgo de herida y/o incendio.
15. Cuando no usa la batería, manténgala alejada de los objetos metálicos tales como clips, monedas, llaves, clavos, tornillos y otros objetos pequeños que puedan conectar los terminales juntos; esto puede causar quemaduras o un incendio.
16. No intente modificar la batería recargable o el aparato, ni los use si están dañados o modificados; una batería dañada o modificada puede tener un funcionamiento anormal y causar un incendio, una explosión o heridas.
17. No exponga la batería recargable ni el aparato al fuego o a un calor excesivo. Exponerlos al fuego o a temperaturas superiores a 265 °F (130°C) puede provocar una explosión.
18. Desconecte la batería recargable del bloque-motor antes de hacer ajustes, cambiar los accesorios o guardar el aparato. Este tipo de medidas de seguridad preventivas reduce el riesgo de que el aparato se ponga en marcha por accidente.
19. Para evitar que el aparato se ponga en marcha por accidente, mantenga los dedos alejados del botón de encendido/apagado y del botón de seguridad cuando transporta el aparato.
20. Utilice solamente el cargador proveído para cargar el aparato. Usar un cargador diseñado para cargar otro tipo de batería recargable presenta un riesgo de incendio.
21. En condiciones abusivas, líquido puede ser eyectado de la batería. Si esto ocurriera, evite el contacto con el líquido. En caso de contacto accidental, enjuague con abundante agua. En caso de contacto con los ojos, busque atención médica. El líquido eyectado de la batería puede causar irritaciones o quemaduras.
22. Siga las instrucciones de carga y, durante la carga, no exponga la batería recargable a temperaturas inferiores/superiores a las temperaturas recomendadas. Cargar la batería de manera incorrecta o exponerla durante la carga a temperaturas inferiores/superiores a las temperaturas indicadas puede dañar la batería e incrementar el riesgo de incendio.
23. Cualquier reparación debe ser realizada por un técnico calificado, usando repuestos idénticos. No seguir estas instrucciones puede presentar un riesgo para el usuario.

24. No modifique ni intente reparar el aparato o la batería recargable. Solo las operaciones de mantenimiento indicadas en las instrucciones de limpieza y mantenimiento están permitidas.

## **GUARDE ESTAS INSTRUCCIONES**

### **APROBADO PARA USO COMERCIAL**

Utilícelo solamente el adaptador provisto (modelo R241-1401200U).

Utilice solamente la batería recargable provista (modelo BP-250A) para cargar u operar la unidad.

Potencia nominal

Entrada: 100~240 V, 50/60 Hz, 0.5A

Salida: 14V DC 1200 mA

### **USO PREVISTO**

Las licuadoras de mano Waring®, diseñadas para el uso de los restaurantes, de las cocinas grandes y las pequeñas compañías, son perfectas para mezclar/licuar. Utilizables directamente en la olla o el recipiente de su elección, son perfectas para mezclar/licuar sopas, aderezos, mezclas de panqueques y otras mezclas, cremas, salsas, mayonesa y mucho más. También pueden usarse para preparar papillas y purés de frutas/vegetales, gachas de cereales, cremas y más para las guarderías/jardines infantiles o las dietas especiales.

### **ANTES DE EMPEZAR**

Antes de usar el aparato por primera vez, limpie el exterior del bloque-motor y de la batería recargable con un paño limpio ligeramente humedecido para eliminar el polvo y la suciedad acumulados durante el transporte. Antes de ensamblar la varilla de acero inoxidable, enjuáguela así como la cuchilla de metal en agua corriente. Seque todas las piezas con un paño suave y absorbente.

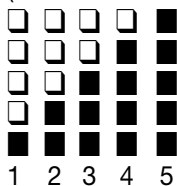
**PRECAUCIÓN:** la cuchilla es muy filosa.

# PIEZAS



- 1. Batería recargable
- 1a. Botón de liberación de la batería
- 2. Base de carga rápida
- 3. Luz de carga:  
Verde sólido = Completamente cargado  
Verde parpadeando = Cargado al 70-90 %  
Anaranjado parpadeando = Cargado al 50-70 %  
Rojo parpadeando = Voltaje bajo/  
Cargado en menos del 50 %

- 4. Adaptador
- 5. Bloque-motor
- 6. Botón de seguridad
- 7. Botón de encendido/apagado
- 8. Control de velocidad +/-
- 9. Indicador de velocidad (luces azules)  
(también indica el nivel de carga con luces rojas)



- 10. Varilla de acero inoxidable
- 11. Protector de cuchillas
- 12. Cuchilla de metal
- 13. Bolsa de almacenaje/transporte

## INSTRUCCIONES DE CARGA

**PRECAUCIÓN:** cargue y guarde la batería recargable a temperatura ambiente solamente. Para evitar los daños, procure no exponerla a altas temperaturas.

Antes del primer uso, coloque la batería recargable en la base de carga y cárguela por 1½–2 horas. Una vez debidamente conectada la batería, la luz de carga se encenderá. Cuando la luz verde parpadea, esto significa que la batería se está cargando. Cuando se vuelve sólida, significa que la batería está cargada.

Retire la batería de la base de carga, presionando los botones de liberación azules y alzando la batería.

Para averiguar el nivel de carga una vez la unidad ensamblada, mantenga oprimido el botón de bloqueo de seguridad por aproximadamente 6 segundos; los indicadores de velocidad se encenderán de color rojo. Si todas las luces están encendidas, esto significa que la batería está completamente cargada. Si solamente una luz se enciende, esto significa que la batería está baja.

## INSTRUCCIONES DE USO

### ENSAMBLAJE

1. Conecte la varilla de acero inoxidable al bloque-motor, alineando el acoplamiento metálico del bloque-motor con el acoplamiento de la varilla. Gire en sentido horario para sujetar.
2. Conecte la batería recargable al bloque-motor, presionando suavemente hasta que haga “clic”.

### OPERACIÓN

1. Introduzca la varilla en la olla o el recipiente. **NO SUMERJA MÁS DE LOS ¾ DE LA VARILLA EN EL LÍQUIDO.**
2. Dos botones controlan el encendido: el botón de seguridad atrás de la unidad y el botón de encendido en frente. Para encender el aparato, oprima simultáneamente botón de seguridad y el botón de encendido. Para licuar, suelte el botón de seguridad y siga oprimiendo el botón de encendido; el aparato permanecerá encendido hasta que suelte el botón de encendido.
3. Presione el botón “+” o “-” para ajustar la velocidad al nivel deseado, desde 1 (lo más bajo) hasta 5 (lo más alto).

**NOTA:** también puede elegir la velocidad antes de encender la unidad.

4. Introduzca la varilla en el líquido, incline ligeramente la unidad y empiece a licuar, sin permitir que la cuchilla toque el fondo de la olla o del recipiente.
5. Permita que el motor se detenga completamente antes de retirar la varilla de la olla o del recipiente. Para evitar las salpicaduras, tenga cuidado de no sacar la cuchilla del líquido durante el uso.

**NOTA:** retire la batería recargable del bloque-motor después de cada uso. Mantenga el aparato fuera del alcance de los niños.

**NOTA:** Siga las instrucciones siguientes para desalojar alimentos trabados entre la cuchilla y el protector de cuchillas:

1. Suelte el botón de encendido.
2. Retire la batería recargable del bloque-motor.
3. Retire la varilla del bloque-motor.
4. Desaloje cuidadosamente los alimentos trabados, usando una espátula. **PRECAUCIÓN:** la cuchilla es muy filosa. NO INTENTE DESALOJAR LOS ALIMENTOS CON LOS DEDOS.
5. Vuelva a ensamblar la unidad y siga licuando.

## CONSEJOS ÚTILES

- Si una receta incluye hielo, use hielo picado en vez de cubitos de hielo para obtener resultados óptimos.
- La velocidad por defecto es la última velocidad usada.
- El tiempo de autonomía de la batería recargable dependerá de la velocidad usada y de lo que está licuando. Para mejores resultados, cargue la batería recargable regularmente.
- Velocidades:

Velocidad 1: baja (5000 RPM)

Velocidad 2: 7000 RPM

Velocidad 3: 8500 RPM

Velocidad 4: 11 500 RPM

Velocidad 5: alta (13 000 RPM)

## INSTRUCCIONES DE LIMPIEZA

LIMPIE Y SEQUE EL APARATO DESPUÉS DE CADA USO, SEGÚN SE INDICA A CONTINUACIÓN.



Siempre retire la batería recargable y la varilla del bloque-motor antes de limpiar la cuchilla. **La varilla de acero inoxidable es apta para lavavajillas.**

## LAVADO A MANO

### Aplicaciones alimenticias

- Lave, enjuague, desinfecte y seque la varilla de acero inoxidable antes del primer uso y después de cada uso, a menos que vuelva a utilizar el aparato dentro de la hora siguiente.
- Le recomendamos que use soluciones limpiadoras a base de detergente sin espuma y soluciones desinfectantes con una concentración mínima de cloro de 100 ppm.

Se podrán usar las soluciones siguientes o sus equivalentes:

SOLUCIÓN	PRODUCTO	PROPORCIONES	TEMPERATURA
Para lavar	Detergente líquido bajo en espuma LF2100 de International Products Corporation.	1 %-2 %: 1¼ onza (40 ml) a 2¾ onzas (80 ml) de detergente por galón (3.8 L) de agua (dilución del 1 % para la limpieza normal, hasta 2 % para la limpieza intensiva)	Temperatura ambiente
Para enjuagar	Agua		Tibia 95 °F (35 °C)
Para desinfectar	Cloro Clorox® (con concentración en hipoclorito del 8.25%)	2 cucharaditas (10 ml) de cloro por galón (3.8 L) de agua (o 3 cucharaditas/15 ml si el cloro tiene una concentración en hipoclorito del 5.25 %)	

### Limpieza y desinfección:

1. Enjuague la varilla de acero inoxidable en agua corriente. Restriegue la varilla y la cuchilla con un cepillo para quitar los residuos de alimentos.
2. Limpie la varilla de acero inoxidable con un paño suave o una esponja ligeramente humedecida con solución limpiadora.
3. Sumerja los ¾ de la varilla de acero inoxidable en la solución limpiadora y haga funcionar el aparato a velocidad ALTA por 2 minutos.
4. Repita los paso 2 y 3 con agua en vez de solución limpiadora.

## **NOTA – IMPORTANTE**

PARA EVITAR LOS RIESGOS DE QUEMADURA, LA TEMPERATURA DE LA SOLUCIÓN LIMPIADORA O DEL AGUA DE ENJUAGUE NO DEBERÍA SOBREPASAR 115 °F (46 °C).

5. Sumerja los  $\frac{3}{4}$  de la varilla de acero inoxidable en la solución desinfectante y haga funcionar el aparato a velocidad BAJA por 2 minutos.
6. NO ENJUAGUE NINGUNA DE LAS PIEZAS DESPUÉS DE LA DESINFECCIÓN. Permita que se sequen al aire antes de volver a usar el aparato.

### **NOTA:**

NO SUMERJA LA BATERÍA RECARGABLE NI EL BLOQUE-MOTOR EN SOLUCIÓN LIMPIADORA, AGUA O SOLUCIÓN DESINFECTANTE. **IMPORTANTE: IMPORTANTE: ESTRUJE BIEN EL PAÑO O LA ESPONJA PARA EVITAR QUE LÍQUIDO PENETRE EN LA BATERÍA RECARGABLE.**

## **GARANTÍA LIMITADA DE UN AÑO**

**(válida en los EE.UU. y en Canadá solamente)**

Waring garantiza todo nuevo APARATO COMERCIAL contra todo defecto de materiales o fabricación durante dos años a partir de la fecha de compra, siempre que haya sido usado con alimentos, líquidos no abrasivos (a excepción de detergentes) y semilíquidos no abrasivos, y que no haya sido sujeto a cargas que excedan su máxima capacidad.

Bajo esta garantía, Waring reparará o reemplazará toda pieza que, tras estar inspeccionada por nuestro servicio posventa, demuestre defectos de materiales o fabricación, siempre que el producto se regrese a un centro de servicio autorizado o se entregue con franqueo pagado a: 314 Ella T. Grasso Ave., Torrington, CT 06790.

Esta garantía: a) no se aplica a ningún producto desgastado, defectuoso, dañado o roto debido a uso, reparaciones/servicio realizados por personas no autorizadas, o abuso, mal uso, sobrecarga o daños intencionales; b) no cubre daños incidentales o consecuentes de ningún tipo.

Esta garantía es válida solamente para los aparatos comprados en los Estados Unidos y el Canadá. Esta garantía reemplaza todas las demás declaraciones expresas de garantía. La garantía de los productos Waring adquiridos fuera de los Estados Unidos y del

Canadá es la responsabilidad del importador/distribuidor local. Los derechos de garantía pueden variar según las regulaciones locales.

**ADVERTENCIA:** utilizar este aparato con corriente continua (C.C.) invalidará la garantía.

## SERVICIO POSTVENTA

Para servicio en los Estados Unidos o en Canadá, comuníquese con:



WARING Service Center  
314 Ella T. Grasso Avenue  
Torrington, CT 06790  
Tel. (800) 492-7464  
Fax. (860) 496-9017

o con el centro de servicio más cercano.

Las piezas de repuesto para reparaciones “fuera de garantía” están disponibles en la misma dirección.

## RECICLAJE DE LAS BATERÍAS

Este producto cuenta con dos baterías recargables y reciclables de iones de litio, las cuales deben ser recicladas al final de su vida útil. No queme las baterías, ni las coloque en un compostador. Tampoco se deben tirar las baterías de iones de litio con el resto de la basura. Para más información acerca del reciclaje de las baterías, comuníquese con las autoridades locales en materia de reciclaje y eliminación de desechos. No intente desarmar el bloque-motor para cambiar las baterías; esto puede dañar el aparato.

# IMPORTANTES CONSIGNES DE SÉCURITÉ

L'utilisation d'appareils électriques requiert la prise de précautions élémentaires, parmi lesquelles les suivantes :

1. **LIRE TOUTES LES INSTRUCTIONS.**
2. **AVERTISSEMENT** : Lire toutes les précautions d'emploi et instructions avant d'utiliser l'appareil. Le non-respect des avertissements et des instructions peut présenter un risque d'incendie, de choc électrique ou de blessure grave.
3. Afin de prévenir tout risque de choc électrique, ne jamais placer le bloc-piles ou le bloc-moteur dans l'eau ou tout autre liquide. Seuls le pied-mélangeur et le protège-lames sont conçus pour être immergés dans l'eau et autres liquides ; ne jamais immerger le reste de l'appareil.
4. Cet appareil ne devrait pas être utilisé par des enfants. Faire preuve de vigilance lorsque des enfants sont à proximité.
5. Éviter tout contact avec les éléments en mouvement.
6. Garder les mains et les ustensiles éloignés du couteau et du récipient pendant l'utilisation afin d'éviter tout risque de blessure grave ou de dommages à l'appareil.
7. Vous pouvez utiliser une spatule en plastique, mais seulement une fois que l'appareil est arrêté.
8. Ne pas utiliser l'appareil s'il ne fonctionne pas correctement, s'il est abîmé ou après qu'il soit tombé ; le renvoyer à un service après-vente autorisé afin qu'il soit inspecté, réparé ou réglé au besoin.
9. L'utilisation d'accessoires non recommandés ou vendus par Waring peut présenter un risque d'incendie, de choc électrique ou de blessure.
10. Ne pas utiliser l'appareil à l'air libre.
11. Les lames sont très coupantes ; les manipuler avec précaution.
12. Lorsque vous mélangez/mixez des liquides, particulièrement s'il s'agit de liquides chauds, utiliser un récipient à bords hauts afin d'éviter les risques de débordement ou de blessure.
13. Cet appareil ne devrait pas être utilisé par des enfants ou des personnes atteintes de certains handicaps physiques, mentaux

ou sensoriels, ou qui ne disposent pas des connaissances ou de l'expérience nécessaires.

14. Utiliser uniquement le bloc-piles fourni (modèle BP-2050A). Utiliser un autre bloc-piles peut présenter un risque de blessure ou d'incendie.
15. Lorsque vous n'utilisez pas le bloc-piles, le tenir éloigné des objets en métal tels que les trombones, les pièces de monnaie, les clés, les clous, les vis et autres petits objets pouvant connecter les terminaux l'un à l'autre ; cela pourrait provoquer des brûlures ou un incendie.
16. Ne pas essayer de modifier le bloc-piles ou l'appareil, et ne pas les utiliser s'ils sont endommagés ou ont été modifiés. Un bloc-piles endommagé ou modifié peut fonctionner anormalement, présentant un risque d'incendie, d'explosion ou de blessure.
17. Ne pas exposer le bloc-piles ou l'appareil au feu ou à des températures excessives. L'exposition au feu ou à une température supérieure à 265°F (130°C) peut provoquer une explosion.
18. Déconnecter le bloc-piles du bloc-moteur avant d'effectuer tout réglage, de changer les accessoires ou de ranger l'appareil. Ce type de mesures de sécurité préventives réduit le risque de mise en marche accidentelle de l'appareil.
19. Pour éviter d'allumer l'appareil accidentellement, garder les doigts éloignés du bouton marche/arrêt et du bouton de sécurité lorsque vous transportez l'appareil.
20. Utiliser uniquement le chargeur fourni pour charger l'appareil. Charger l'appareil à l'aide d'un chargeur conçu pour charger un autre type de bloc-piles présente un risque d'incendie.
21. Dans des conditions d'utilisation abusives, du liquide peut être éjecté du bloc-piles. Si cela se produisait, éviter tout contact avec le liquide. En cas de contact accidentel, rincer abondamment avec de l'eau. En cas de contact avec les yeux, contacter un médecin. Le liquide éjecté du bloc-piles peut provoquer des irritations ou des brûlures.
22. Suivre les instructions de charge, notamment: pendant le chargement, ne pas exposer le bloc-piles ou l'appareil à des températures inférieures/supérieures aux températures indiquées. Charger l'appareil contrairement aux instructions ou l'exposer pendant la charge à des températures inférieures/supérieures aux températures indiquées peut endommager le bloc-piles et augmenter le risque d'incendie.

23. En cas de besoin, faire réparer l'appareil par un technicien qualifié, et veiller à ce que seulement des pièces de rechange identiques soient utilisées. Le non-respect de ces instructions peut présenter un risque pour l'utilisateur.
24. Ne pas modifier ni essayer de réparer l'appareil ou le bloc-piles. Les seules opérations d'entretien permises sont celles indiquées dans les instructions de nettoyage et d'entretien.

## **GARDER CES INSTRUCTIONS**

### **USAGE COMMERCIAL AUTORISÉ**

Utiliser uniquement l'adaptateur fourni avec l'appareil (modèle R241-1401200U).

Utiliser uniquement le bloc-piles fourni avec l'appareil (modèle BP-2050A) pour charger ou faire fonctionner l'appareil.

Tension nominale

Entrée : 100~240 V, 50/60 Hz, 0.5 A

Sortie : 14 V DC 1200 mA

### **UTILISATION**

Les mélangeurs à main Waring®, conçus à l'usage des restaurants, des grandes cuisines et des petits établissements, sont parfaits pour mélanger/mixer/liquéfier. Utilisables directement dans la casserole ou le récipient de votre choix, ils sont parfaits pour mélanger/mixer les soupes, les sauces à salades, la pâte à crêpe et autres pâtes, les sauces, la mayonnaise et plus encore. On peut aussi les utiliser pour préparer des bouillies, purées de légume/fruit, porridge, crèmes et autres pour les crèches et régimes spéciaux.

### **AVANT DE COMMENCER**

Avant d'utiliser l'appareil, essayer le bloc-moteur et le bloc-piles à l'aide d'un linge humide afin d'éliminer la poussière accumulée pendant le transport. Avant d'installer le pied-mélangeur en acier inoxydable, le rincer ainsi que le couteau sous l'eau du robinet. Bien sécher avec un chiffon doux et absorbant. **MISE EN GARDE** : la lame est très coupante.



## **INSTRUCTIONS DE CHARGE**

**MISE EN GARDE** : charger et garder le bloc-piles à température ambiante uniquement. Pour éviter le risque de dommages, éviter de l'exposer à des températures élevées.

Avant d'utiliser l'appareil pour la première fois, placer le bloc-piles sur la station de charge rapide et le charger pendant 1½ à 2 heures. Le voyant de charge s'allumera une fois le bloc-piles correctement inséré. Le voyant vert clignotera pendant la charge, puis deviendra solide une fois le bloc-piles complètement chargé.

Une fois chargé, retirer le bloc-piles de la station de charge en appuyant sur les boutons de libérations bleus et en soulevant le bloc-piles.

Pour vérifier le niveau de charge une fois le bloc-piles connecté au bloc-moteur, appuyer sur le bouton de sécurité pendant environ 6 secondes ; l'indicateur de vitesse s'allumera (lumière rouge). Si tous les voyants sont allumés, cela veut dire que la batterie est complètement chargée. Si seulement un voyant s'allume, cela veut dire que la batterie est faible.

## **DIRECTIVES D'UTILISATION**

### **ASSEMBLAGE**

1. Connecter le pied-mélangeur en acier inoxydable au bloc-moteur en alignant l'accouplement métallique du bloc-moteur avec celui du pied. Faire tourner le pied dans le sens des aiguilles d'une montre pour le fixer.
2. Connecter le bloc-piles au bloc-moteur, en appuyant légèrement jusqu'à ce qu'il s'enclenche.

### **FONCTIONNEMENT**

1. Plonger le pied-mélangeur dans la casserole ou le récipient. **NE PAS PLONGER PLUS DES ¾ DU PIED DANS LE LIQUIDE.**
2. Deux boutons contrôlent la mise en marche de l'appareil : le bouton de sécurité situé à l'arrière de l'appareil et le bouton marche/arrêt. Pour mettre l'appareil en marche, appuyer simultanément sur le bouton marche/arrêt et le bouton de sécurité. Pour mélanger/mixer, relâcher le bouton de sécurité mais continuer d'appuyer sur le bouton marche/arrêt. L'appareil restera allumé jusqu'à ce que vous relâchiez le bouton marche/arrêt.



3. Appuyer sur le bouton “+” ou “-” pour régler la vitesse au niveau voulu, de 1 (la plus lente) à 5 (la plus rapide).

**REMARQUE :** vous pouvez aussi régler la vitesse avant d’allumer l’appareil.

4. Introduire le pied-mélangeur dans le liquide, pencher légèrement le mélangeur et commencer à mélanger, en maintenant le couteau éloigné du fond de la casserole ou du récipient.
5. Attendre que le moteur se soit complètement arrêté avant de retirer le mélangeur de la casserole ou du récipient. Afin d’éviter les éclaboussures, veiller à ne pas retirer le couteau du liquide pendant le fonctionnement.

**REMARQUE :** retirer le bloc-piles de l’appareil après chaque utilisation. Tenir l’appareil hors de portée des enfants.

**REMARQUE :** suivre les instructions suivantes si des aliments se coincent entre le couteau et le protège-lames.

1. Relâcher le bouton marche/arrêt.
2. Retirer le bloc-piles du bloc-moteur.
3. Retirer le pied-mélangeur du bloc-moteur.
4. Avec précaution, déloger les aliments coincés à l’aide d’une spatule. **MISE EN GARDE :** la lame est très coupante.  
**NE PAS DÉLOGER LES ALIMENTS COINCÉS AVEC LES DOIGTS.**
5. Réassembler l’appareil et continuer.

## CONSEILS UTILES

- Quand une recette inclut de la glace, utiliser de la glace pilée au lieu de glaçons pour obtenir de meilleurs résultats.
- La vitesse par défaut est la dernière vitesse utilisée.
- Le temps d’autonomie du bloc-piles dépendra de la vitesse utilisée et de ce que vous mélangez. Pour de meilleurs résultats, recharger le bloc-piles régulièrement.
- Vitesses :
  - Vitesse 1 : basse (5000 tr/mn)
  - Vitesse 2 : 7000 tr/mn
  - Vitesse 3 : 7000 tr/mn
  - Vitesse 4 : 11.500 tr/mn
  - Vitesse 5 : haute (13.000 tr/mn)

# NETTOYAGE ET ENTRETIEN

LAVER ET SÉCHER L'APPAREIL APRÈS CHAQUE UTILISATION, SELON LES INSTRUCTIONS SUIVANTES.

Toujours retirer le bloc-piles et le pied-mélangeur du bloc-moteur avant de nettoyer le couteau. **Le pied-mélangeur en acier inoxydable est lavable au lave-vaisselle.**

## LAVAGE À LA MAIN

### Applications alimentaires

- Nettoyer, rincer, désinfecter et sécher le pied-mélangeur en acier inoxydable avant d'utiliser l'appareil pour la première fois et après chaque utilisation, à moins que vous ne le réutilisiez dans l'heure qui suit.
- Nous recommandons l'utilisation d'une solution de nettoyage à base de détergent non moussant et d'une solution désinfectante à base de chlore, avec une concentration minimum de 100 ppm.

Vous pouvez utiliser les solutions suivantes ou leur équivalent :

SOLUTION	PRODUIT	PROPORTIONS	TEMPÉRATURE
Lavage	Détergent liquide peu moussant LF2100 d'International Products Corporation	1 %-2 % : 1¼ once (40 ml) à 2¾ onces (80 ml) de détergent par gallon (3,8 L) d'eau (dilution à 1 % pour le nettoyage normal, jusqu'à 2 % pour le nettoyage intensif)	Température ambiante
Rinçage	Eau claire		Tiède 95°F (35°C)
Désinfection	Eau de javel Clorox® (concentration en hypochlorite de 8,25 %)	2 c. à thé (10 ml) d'eau de javel par gallon (3,8 L) d'eau (ou 3 c. à thé/15 ml si l'eau de javel a une concentration en hypochlorite de 5,25 %)	

### Lavage et désinfection :

1. Rincer le pied-mélangeur en acier inoxydable sous l'eau du robinet. Nettoyer le protège-lames et le couteau à l'aide d'une brosse pour déloger les résidus.
2. Essuyer le pied-mélangeur en acier inoxydable à l'aide d'un chiffon doux ou d'une éponge imprégnée de solution de nettoyage.

3. Plonger les  $\frac{3}{4}$  du pied-mélangeur en acier inoxydable dans la solution de nettoyage et mettre l'appareil en marche ; faire fonctionner à HAUTE vitesse pendant 2 minutes.
4. Répéter les étapes 2 et 3 avec de l'eau claire.

## **REMARQUE – IMPORTANT**

AFIN D'ÉVITER LES RISQUES DE BRÛLURE, LA TEMPÉRATURE DE LA SOLUTION DE NETTOYAGE ET DE L'EAU DE RINÇAGE NE DEVRAIT PAS DÉPASSER 115°F (6°C).

5. Plonger les  $\frac{3}{4}$  du pied-mélangeur en acier inoxydable dans la solution désinfectante et mettre l'appareil en marche ; faire fonctionner à BASSE vitesse pendant 2 minutes.
6. NE PAS RINCER L'APPAREIL APRÈS L'AVOIR DÉSINFECTÉ.  
Laisser sécher à l'air avant de l'utiliser à nouveau.

### **REMARQUE :**

NE PAS PLONGER LE BLOC-PILES OU BLOC-MOTEUR DANS LA SOLUTION DE NETTOYAGE, L'EAU OU LA SOLUTION DÉSINFECTANTE. **BIEN ESSORER LE CHIFFON OU L'ÉPONGE POUR ÉVITER QUE LE LIQUIDE NE PÉNÈTRE DANS LE BOÎTIER.**

## **GARANTIE LIMITÉE D'UN AN**

**(valable aux É.-U. et au Canada uniquement)**

Waring garantit tout nouvel APPAREIL COMMERCIAL contre tout vice de matière ou de fabrication pendant une période d'un an suivant sa date d'achat, à condition qu'il ait été utilisé uniquement avec des produits alimentaires, des liquides non-abrasifs (autres que des détergents) et des semi-liquides non-abrasifs, à condition que l'appareil n'ait pas été soumis à des charges excédant sa capacité maximale.

Au titre de cette garantie, Waring réparera ou remplacera toute pièce nous paraissant afficher un vice de matière ou de fabrication. Pour un service au titre de cette garantie, envoyez l'appareil, port payé, à l'adresse suivante ou amenez-le à un centre de réparation agréé : Waring Service Center, 314 Ella T. Grasso Ave., Torrington, CT 06790.

Cette garantie a) n'est pas valable si l'appareil est endommagé, cassé, détérioré ou s'il affiche un vice ou défaut résultant de l'utilisation, de l'entretien ou de la réparation par des personnes non autorisées, ou consécutif à l'usage abusif ou inapproprié, à la

surcharge ou à la modification de l'appareil ; b) ne couvre aucun dommage accessoire ou indirect.

Cette garantie d'un an n'est valable que sur les appareils utilisés aux États-Unis et au Canada. Cette garantie abroge toute autre garantie formelle ou tout autre accord de garantie. La garantie des produits Waring vendus en dehors des États-Unis et du Canada est à la charge de l'importateur ou du distributeur local.

Les droits de garantie peuvent varier d'un pays ou d'une région à l'autre.

**AVERTISSEMENT** : brancher cet appareil sur Courant Continu (C.C.) annulera la garantie.

## SERVICE APRÈS-VENTE

Afin de faire réparer ou de remplacer cet appareil aux États-Unis ou au Canada, contacter :



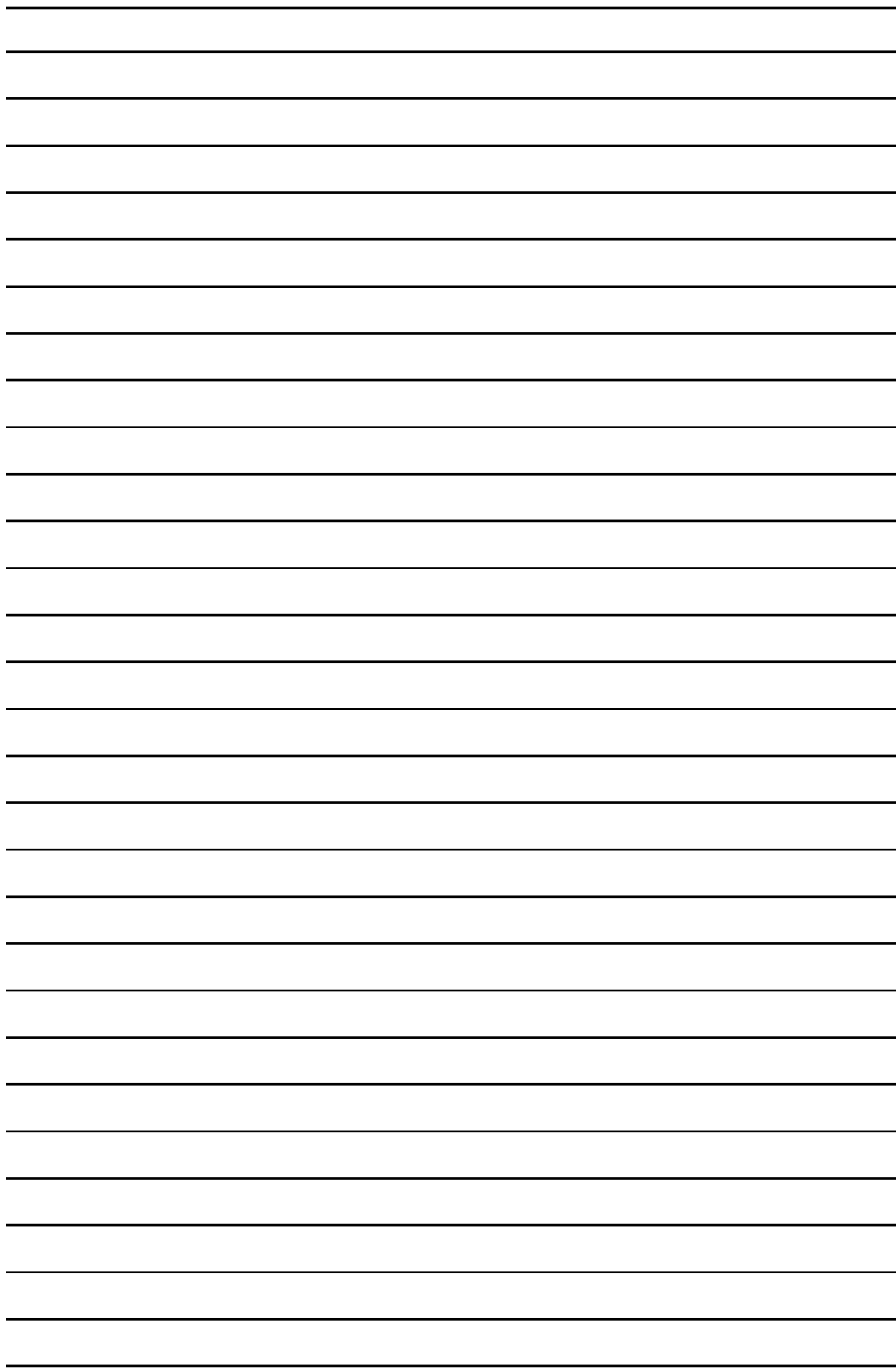
WARING Service Center  
314 Ella T. Grasso Avenue  
Torrington, CT 06790  
Tel. (800) 492-7464  
Fax. (860) 496-9017

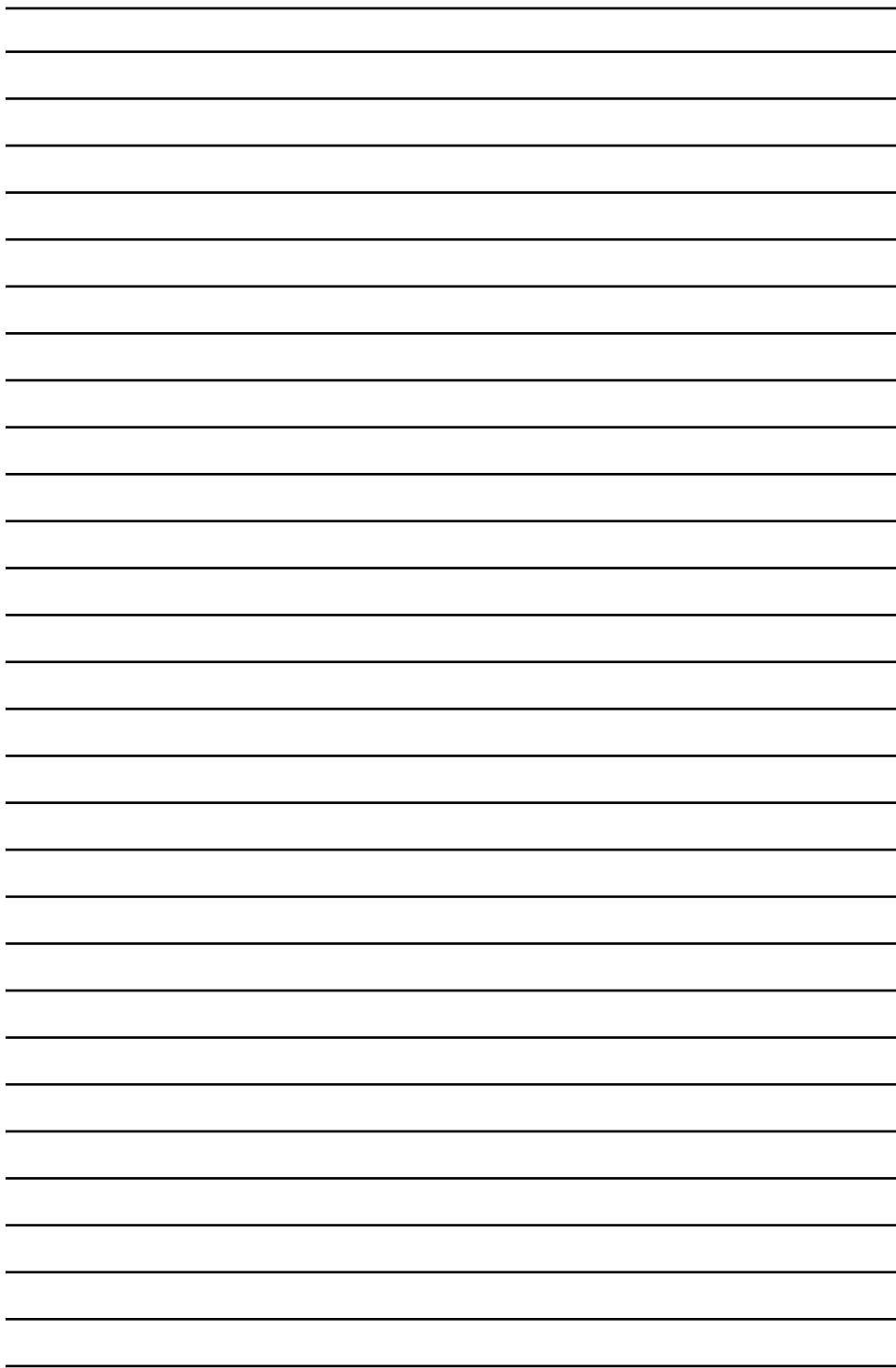
ou bien adressez-vous au service après-vente le plus proche.

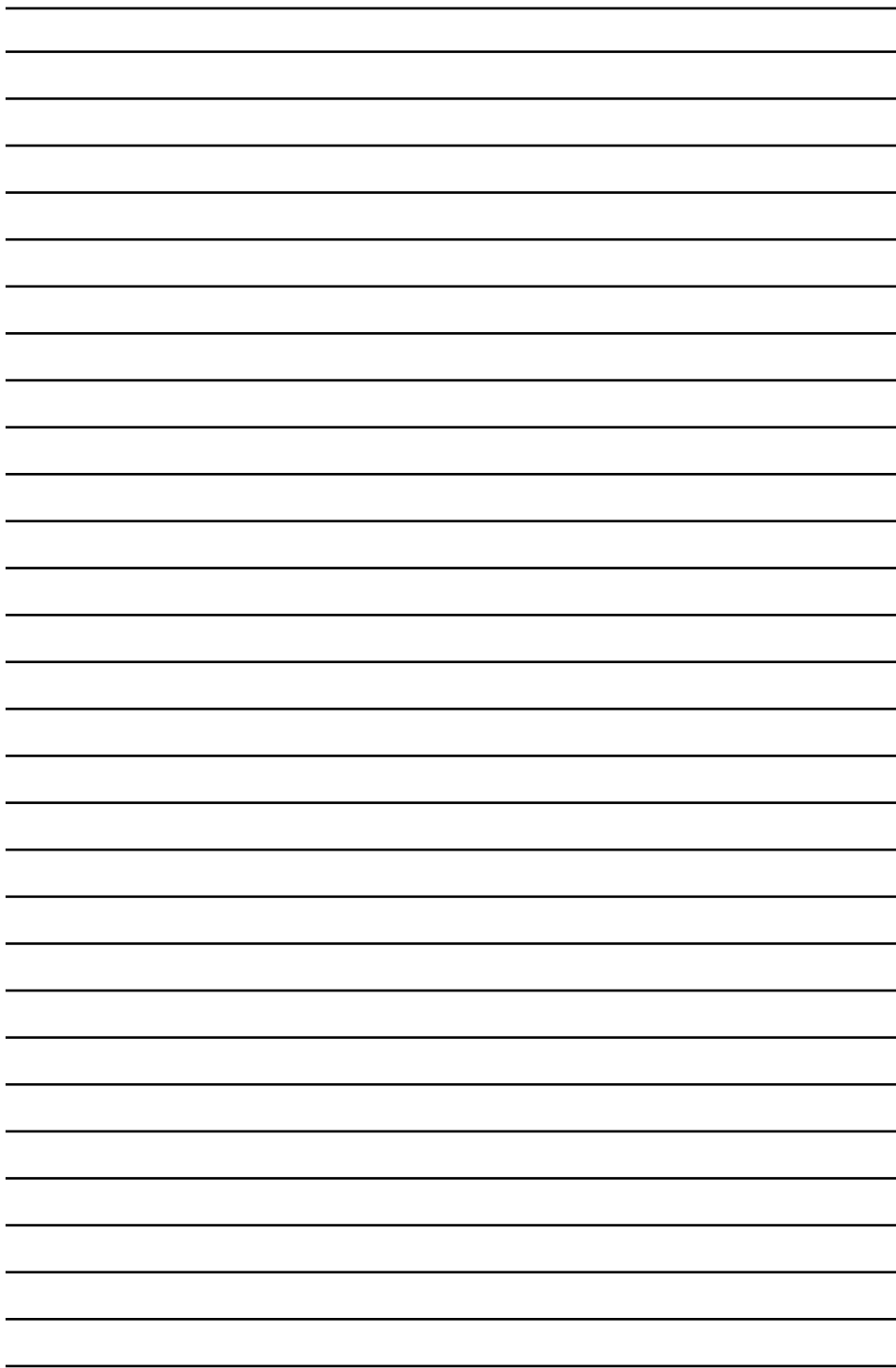
Les pièces détachées pour réparations "hors garantie" sont également disponibles à l'adresse ci-dessus.

## RECYCLAGE DES PILES

Cet appareil renferme deux piles lithium-ion rechargeables et recyclables. Il convient de recycler les piles en fin de vie. Ne pas incinérer ou composter les piles. Ne pas jeter les piles lithium-ion avec les ordures ménagères ; vérifier les options de recyclage disponibles dans votre lieu de résidence auprès des autorités compétentes. Ne pas essayer de démonter le boîtier pour remplacer les piles vous-même ; cela pourrait endommager l'appareil.







**Trademarks or service marks of third parties used herein are the trademarks or service marks of their respective owners.**

**Todas las marcas registradas, comerciales o de servicio mencionadas en este documento pertenecen a sus titulares respectivos.**

**Toutes les marques déposées, commerciales ou de service ci-incluses appartiennent à leurs propriétaires respectifs.**

**©2017 Waring Commercial  
314 Ella T. Grasso Ave.  
Torrington, CT 06790**

**[www.waringcommercialproducts.com](http://www.waringcommercialproducts.com)**

**Printed in China  
Impreso en China  
Imprimé en Chine  
WSB38X IB  
17WC025708**

**IB-14786**