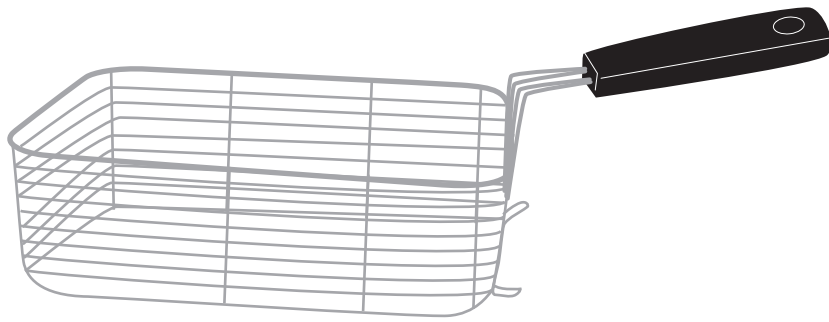


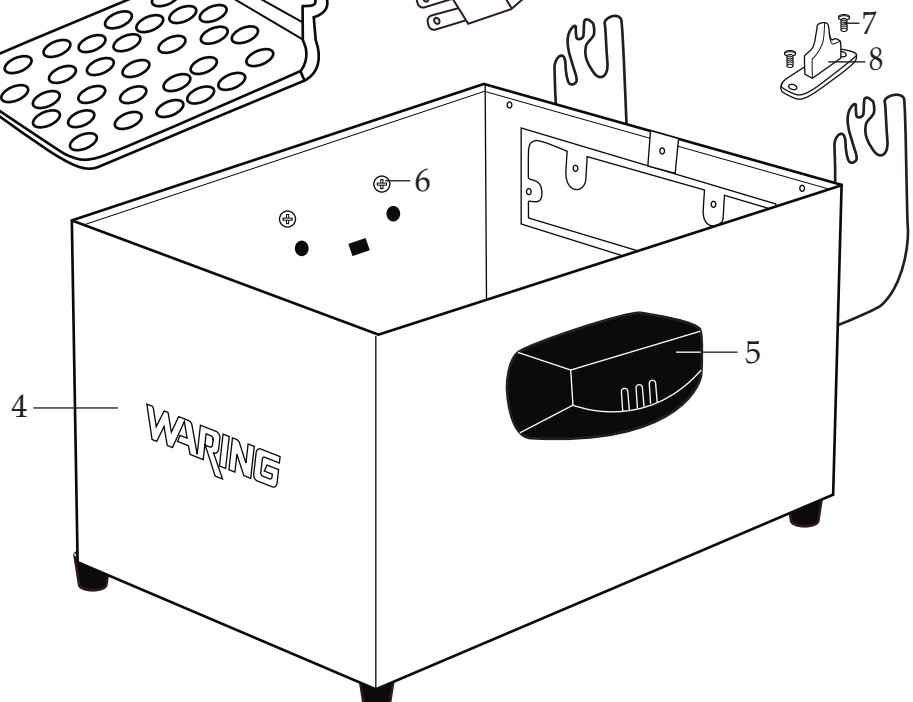
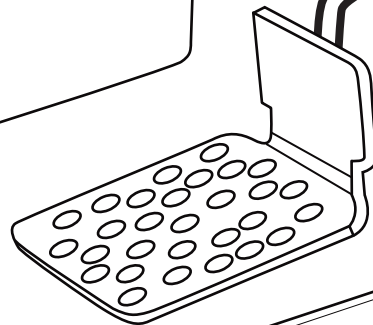
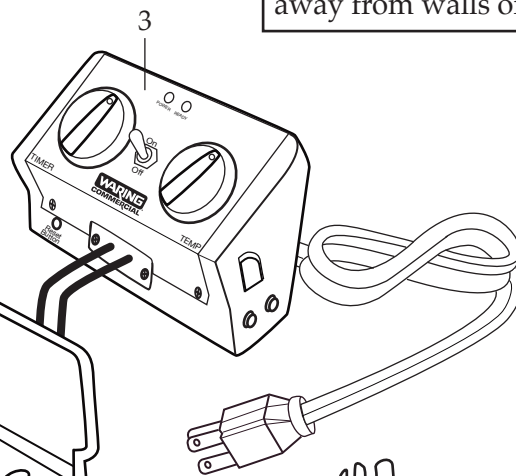
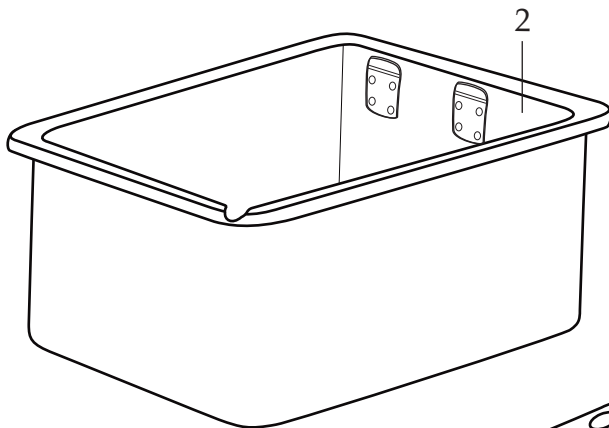
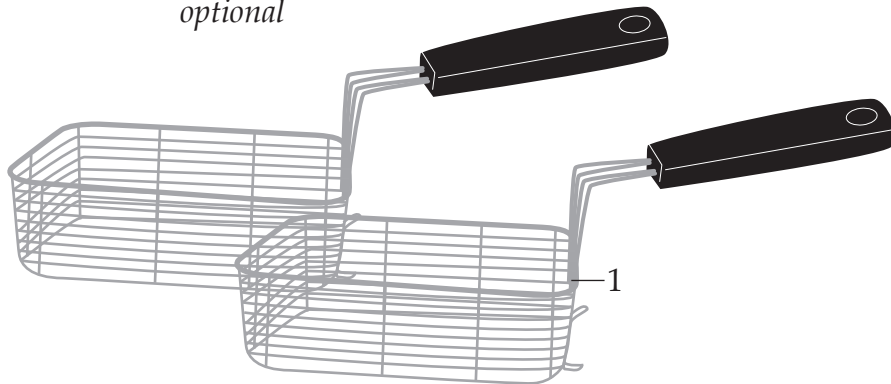
WARING COMMERCIAL

Commercial Deep Fryer

WDF75B / 208 volt



032603
Large Frying Basket (LFB75)
optional



Unit Information

60Hz - 2700 Watts

3 lb. food capacity total of
2 baskets.

The unit will not work if the
control panel is not properly
mounted.

Use about 1 1/4 gallons of oil.

Keep appliance at least 4 inches
away from walls or other objects.

Illustration#	Part#	Description
1	032606	Basket w/handle 2 Req.'d
2	028576	Oil Container
3	503167	Heating Element /with heat diffuser and heater stand
4	503122	Body Assembly /with handles and feet
5	028578	Body Handle 2 Req.'d
6	028577	Screw 4 Req.'d (2 per handle)
7	030439	Screw 2 Req.'d
8	030438	Safety Switch Acuator