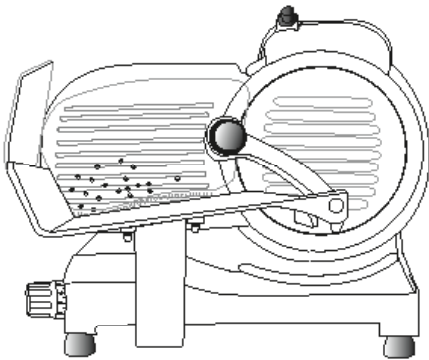


WARING[®] COMMERCIAL

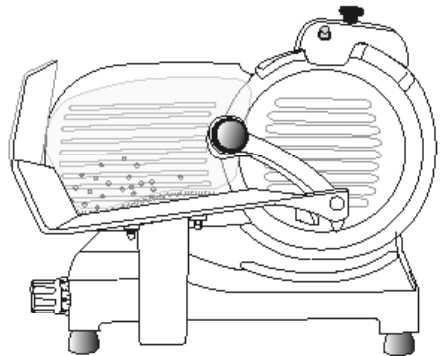
Food Slicer

Rebanadora de alimentos/
Cortadora de fiambre

Trancheuse



WCS220/250



WCS300

WCS220/250/300 Series

For your safety and continued enjoyment of this product,
always read the instruction book carefully before using.

Para su seguridad y para disfrutar plenamente de este producto,
siempre lea cuidadosamente las instrucciones antes de usarlo.

Afin que votre appareil vous procure en toute sécurité beaucoup de
satisfaction, lire attentivement le mode d'emploi avant de l'utiliser.



c us

IMPORTANT UNPACKING INSTRUCTIONS

CAUTION: THE SLICING BLADE HAS A VERY SHARP EDGE.

To avoid injury when unpacking the unit, please follow these instructions:

1. Put the box on a large, sturdy, flat surface.
2. Remove the instruction book and other literature.
3. Position the box on its side, and then flip the box so that the open side is facing the floor.
4. Lift up the box and remove the foam inserts.
5. Remove the protective bag.
6. To lift and move the unit, bend your knees to avoid back injuries, and place one hand on the bottom of the motor housing and the other one under the carriage.
7. Please use extreme caution when handling the blade. We suggest you save all the packing materials in the event that future shipping of the machine is needed.

Keep all plastic bags away from children.

REPACKING INSTRUCTIONS

1. Put food slicer on a large, sturdy, flat surface.
2. Put food slicer into plastic bag.
3. Position foam inserts on each end of the food slicer.
4. Put the packaged unit into the upright box.
5. Replace top corrugated insert, instruction book and other literature.

DELIVERY, PACKAGING AND STORAGE

TRANSPORT – HANDLING – STORAGE

The machine is packed in a cardboard box with foam inserts.




The packaging is suitable for travel by all means of transport.

It can be stacked one carton on another for a maximum of three cartons.

- The packaging must be kept dry.
- To be handled by 2 persons.
- When on pallets, handle only with electric lifters.

IMPORTANT SAFEGUARDS

When using electrical appliances, especially when children are present, basic safety precautions should always be taken, including the following:

1. **READ ALL INSTRUCTIONS.**
2. **Unplug power cord from outlet when not in use, before putting on or taking off parts, before cleaning, and before attaching, adjusting or removing the blade sharpener.**
3. Blade is exceptionally sharp. Handle very carefully. 
4. To protect against risk of electric shock, do not put appliance in water or other liquids.
5. Do not use appliance near children and individuals with certain disabilities.
6. Avoid contact with moving parts.
7. Never put the unit near a hot burner, in an oven, or in a dishwasher.
8. Do not operate the Waring® Commercial Food Slicer or any electrical equipment with a damaged cord or plug, or after the unit malfunctions, is dropped or damaged in any manner. If damaged, immediately stop use and call Waring customer service at (800) 269-6640. Return unit to the nearest Authorized Service Center for examination, repair, or adjustment.
9. Do not use outdoors.
10. Do not let cord hang over the edge of a table or counter, come into contact with sharp edges, or touch hot surfaces.
11. Place the appliance on a firm and stable surface. Ensure that the appliance is not placed near the edge of the worktop, where it can be easily pushed off or fall.
12. Never plug in the appliance where water may flood the area.
13. **NEVER PUT YOUR FINGERS NEAR THE BLADE WHILE IT IS IN OPERATION.**
14. The use of attachments not recommended or sold by the manufacturer may cause fire, electric shock or injury.
15. Use the slicer to cut ONLY designated food. Do not attempt to slice frozen food or materials such as bones, cardboard, plastic, etc.

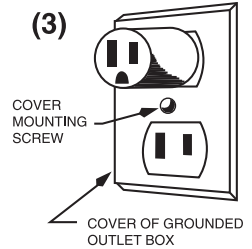
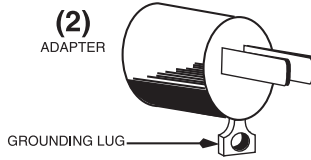
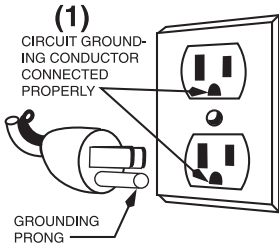
16. **TO PROTECT AGAINST ANY RISK OF ELECTRIC SHOCK, DO NOT PUT THE APPLIANCE IN WATER OR IN ANY OTHER LIQUIDS.**
17. The Waring® Food Slicer has a sharp blade. To avoid injury, never hand-feed food to be sliced. Always use the unit when completely assembled with food carriage and food guide.
18. **WARNING:** This appliance is not intended for use by persons (including children) with reduced physical, sensory, or mental capabilities, or lack of experience and knowledge, unless they have been adequately trained to do so in a safe manner. It is better to watch over children to be sure they do not play with the device. Use of this appliance must be carried out with the utmost care as it concerns a cutting device.
19. Always use completely assembled slicers with food tray and food holder arm and with all the protective parts.
20. The use of spare parts not recommended or sold by manufacturer may cause fire, electric shock or injury.
21. Do not catch slices with your hand.
22. Children should be supervised to ensure that they do not play with the appliance.
23. Do not use the machine with the protective parts removed.
24. Waring declines all responsibility in the case of improper use of the machine. Do not use the food slicer for frozen food, bone-in meat or anything other than foodstuffs. Periodically check the state of the cable; should it be damaged, it must be replaced by qualified staff.
25. Do not submerge the food slicer in water when cleaning.
26. The slicer is not to be washed by the use of a waterjet.
27. Do not use extension cords.
28. Do not unplug by pulling the cord.
29. Do not use the machine with wet hands or bare feet.
30. Do not place slicer near sources of heat.
31. Even though the machine is equipped with safety devices, keep your hands away from the blade and moving parts.

SAVE THESE INSTRUCTIONS. FOR COMMERCIAL USE ONLY

GROUNDING INSTRUCTIONS

This appliance must be grounded while in use to protect the operator from electric shock. The appliance is equipped with a 3-conductor cord and 3-prong grounding-type plug to fit the proper grounding-type receptacle. The appliance has a plug that looks like the plug in drawing (1). An adapter, as in drawing (2), should be used for connecting the appliance plug to two-prong receptacles.

The grounding lug, which extends from the adapter, must be connected to a permanent ground such as a properly grounded outlet box, as shown in drawing (3), using a metal screw.



NOTE: The use of an adapter is not authorized in Canada.

CONTENTS


1. Unpacking Instructions	2
2. Delivery, Packaging and Storage	2
3. Important Safeguards	3
4. General Information	6
5. Safety	6
6. Technical Data.....	7
7. Installation and Operation.....	9
8. Cleaning and Sanitizing Instructions.....	12
9. Troubleshooting.....	16
10. Waste Disposal.....	17
11. Warranty / Service	17

GENERAL INFORMATION

PRESENTATION

The aim of this handbook is to provide the customer with as much information as possible about our food slicer, and instructions for its use and maintenance in order to keep it working efficiently. This handbook should be given to those responsible for the use and periodical maintenance of the slicer. The handbook should be kept in good condition and stored in an easily accessible place for quick reference.

IMPORTANCE OF THE HANDBOOK

The handbook is an integral part of the machine. It includes important information regarding safety and danger, pointed out by these symbols: 

The information included will allow you to use the machine in perfectly safe conditions and to obtain the best results.

SAFETY

MAIN VOLTAGE

Before plugging in, check that the main voltage corresponds to the voltage indicated on the food slicer (see data plate).

WARNINGS AND SAFETY RULES READ ALL INSTRUCTIONS



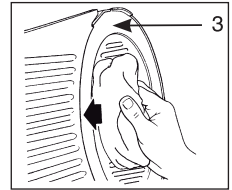
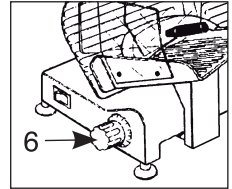
Read carefully all the instructions before using the machine, taking particular care of the paragraphs with the safety and danger symbols.

CONTROL

Transmission.

Immediately after installation, check that the appliance is operating correctly as follows:

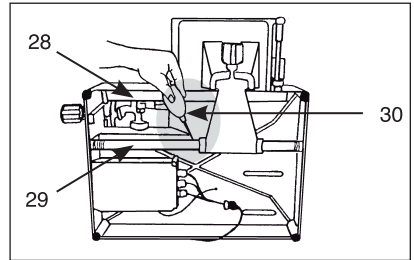
- Ensure the thickness control knob (6) is in “0” position.
- Switch on the slicer.
- Using a cloth, push on the blade (3), to try to brake it; the blade must not stop. If the blade does stop, return appliance to Waring service center.



Sliding capacity of the food tray group carriage.

Check that the carriage slides across its full range. It is possible that some pieces of the packaging remain on the sliding bars (28 and 29) and can impede the sliding mechanism.

Clean the square bar (28) indicated in the picture with a cloth (avoid degreasing the bar).



Periodically, after having cleaned the cylindrical sliding bar (29), lubricate it with Petro-Gel or similar food-grade oil (30).

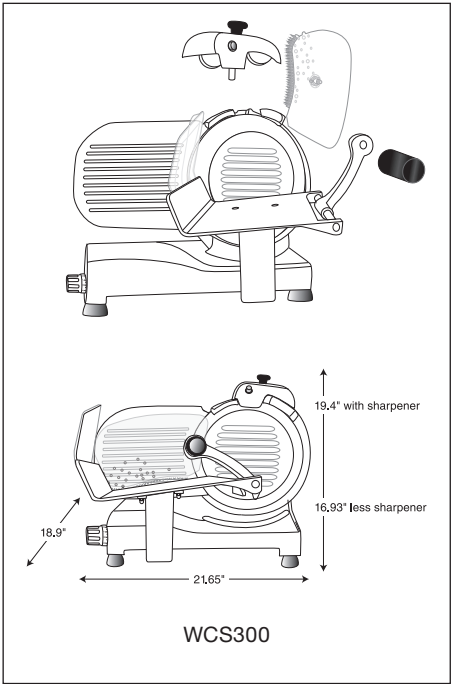
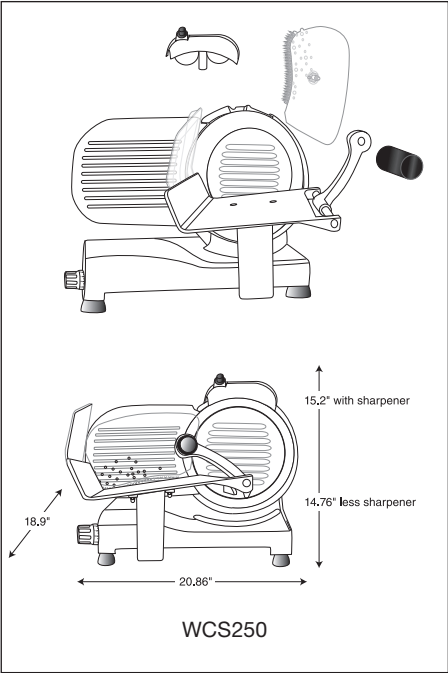
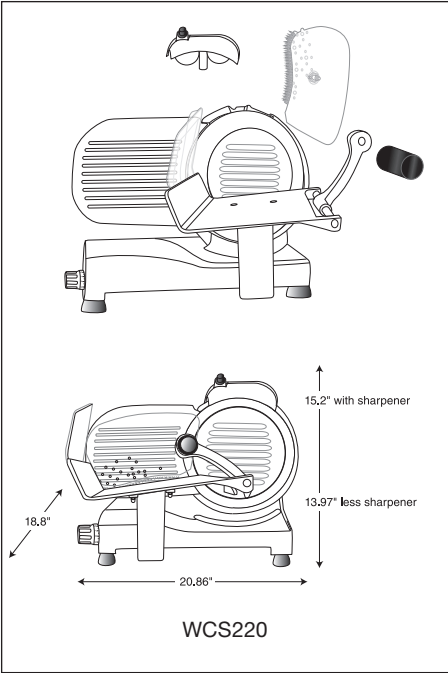
Sharpener group.

Check the insertion of the sharpener assembly (see #10 on illustration) in its seat, to make sure the sharpener is properly mounted and to ensure it is secure.

TECHNICAL DATA – DIMENSIONS

COMMON TECHNICAL CHARACTERISTICS

- Structure is cast aluminum
- Blade guard, food tray and movable bulkhead: in oxidized aluminum
- Shaft holding the blade is mounted on a double ball-bearing
- Professional, ventilated motor
- Tempered, professional blade



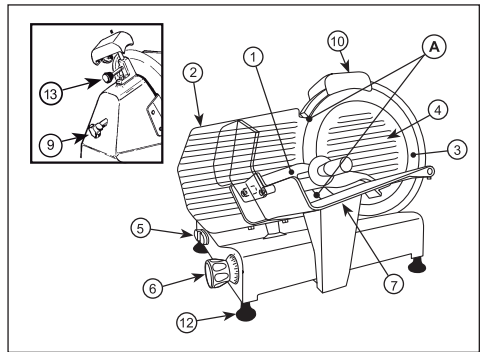
Slicer Info	WCS220	WCS250	WCS300
Dimensions in Inches L x W	18.8 x 20.8	18.9 x 20.8	18.9 x 21.6
Height Less Sharpener	13.9	14.7	16.9
Height w/Sharpener	15.2	15.2	19.4
Blade Diameter	8.5 in.	10 in.	12 in.
Power	¾ HP*	¾ HP*	1 HP*
Capacity of Cut (approx)	8.2 x 5.7	8.6 x 6.2	7.8 x 8.0
Carriage Stroke	9.2	9.2	9.2
Weight	28.6 lb.	30.9 lb.	38.5 lb.
Slice Thickness	0-0.59"/15mm	0-0.59"/15mm	0-0.59"/15mm

INSTALLATION AND OPERATION

INSTALLATION

Environmental conditions:

- Minimum temperature above 46°F (7.7 °C)
- Maximum temperature below 100°F (37.7 °C)
- Minimum moisture 30%
- Maximum moisture 80%
- The slicer must be put on a stable support to prevent it from moving.
- The cord has to be connected in a manner that will not create a tripping hazard.



Leveling

Check that the movable bulkhead (2) with the thickness control knob (6) in “0” position is aligned to the blade in the zone (see above).

If it is not aligned, adjust the feet (12) by unscrewing or screwing the right foot.

PARTS

- 1 – Food holder arm
- 2 – Movable bulkhead
- 3 – Blade
- 4 – Blade cover

*Peak input watts.

- 5 – ON / OFF switch
- 6 – Thickness control knob
- 7 – Sliding carriage or sliding food tray
- 9 – Blade cover release knob
- 10 – Sharpener group
- 12 – Feet
- 13 – Sharpener group locking knob

OPERATION

With the slicer turned off, pull the slicing food tray (7) completely toward you and place the food product onto the food tray. Slice only boneless, unfrozen product with the slicer.

Make sure all knobs are tightened prior to using the slicer.

Rotate the slice thickness dial counterclockwise to the desired setting. After slicing is complete, always turn the slice thickness control knob clockwise to the “0” position.

Turn the slicer on by pushing the green ON switch. The Power indicator light will illuminate.

To turn the slicer off, press the OFF switch.

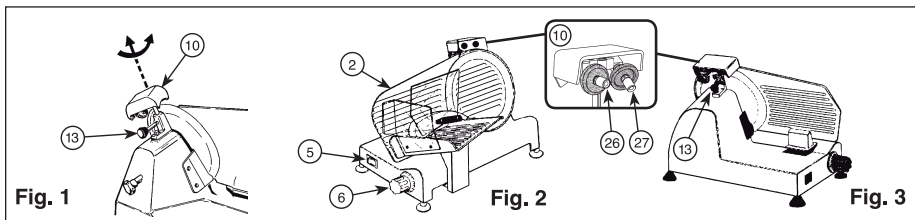
NEVER ATTEMPT TO ADJUST LOAD OR UNLOAD FOOD TRAY WHEN SLICER IN OPERATION.

BLADE SHARPENING – for blade diameter:

8½", 10", 12" Blades

NOTE: It should be noted that the blade is highly resistant; therefore, it needs to be sharpened only when the cutting performance decreases.

- Unplug slicer from electrical outlet.



- Check that the movable bulkhead (2) is closed (thickness control knob (6) in position “0”). See Fig. 2.
- Carefully clean the part of the blade that needs to be sharpened.

- Reinsert the plug.
- Loosen the locking knob (13) of the sharpener group (10). See Fig. 1.
- Raise the sharpener group (10), turning it by 180° so that both wheels are in working position. See Fig. 2.
- Lower the sharpener group (10) until it locks. See Fig. 2.
- Secure the group by turning the locking knob (13). See Fig. 3.
- Switch on (5). See Fig. 2.
- Press button (26) and let the blade turn for about 1 minute. Turn slicer off (5). When the blade is still, check to see if any burrs have formed on the edge. See Fig. 2.
- After having verified the presence of burr, switch on and gently press button (27) for about 3 seconds to remove the burr produced during sharpening. See Fig. 2.
- After sharpening, move the sharpener group (10) back to its original position and clean the edge of the blade and the wheels.
- After several sharpening operations, remove any residue from the sharpening wheel with alcohol and a brush.

CLEANING AND SANITIZING INSTRUCTIONS

THE SLICER MUST BE THOROUGHLY CLEANED, RINSED, SANITIZED AND DRIED AFTER EACH DAY OF USE ACCORDING TO THE FOLLOWING INSTRUCTIONS.

FAILURE TO DO SO MAY ALLOW RESIDUE OF SLICED MATERIAL TO COLLECT ON THE UNIT.

- Never use abrasive cleaning agents or abrasive cloths when cleaning the unit.
- Remove the plug before the maintenance and disassembly operations for cleaning of the protective parts.
- Wash, rinse, sanitize and dry slicer prior to initial use and whenever it has not been used for an extended period of time.
- Wash and rinse blade and slicing carriage after each use.
- Clean and sanitize motor base prior to initial use and after each use.
- Washing solutions based on non-sudsing detergents and chlorine-based sanitizing solutions having a minimum chlorine concentration of 100 PPM are recommended.

- Before carrying out any maintenance operation, unplug the machine and make sure that the thickness control knob is in the “0” position. Remove the blade guard periodically, by removing the screw (in the center of the blade guard). Then clean both the blade and the inside of the blade guard with alcohol or warm water.

The following washing, rinsing, and sanitizing solutions, or their equivalents, may be used.

SOLUTION	PRODUCT	DILUTION IN WATER	TEMPERATURE
Washing	International Products Corporation LF2100® Liquid Low-Foam Cleaner	1%–2%: 1¼ – 2¾ Ounce/Gallon (lower dilution of 1% for normal cleaning and up to 2% for more stubborn soils)	Room Temperature
Rinsing	Plain Water		Warm 95°F (35°C)
Sanitizing	Clorox® Regular Bleach (8.25% Hypochlorite Concentration)	2 Teaspoons/Gallon (Alternately, a bleach with 5.25% Hypochlorite Concentration can be used at dilution of 3 Teaspoons/Gallon)	Between 50°F and 120°F (10°C to 49°C)

Do not use jets of water.

Do not hose down slicer or splash excessively with water.

Do not wash any slicer components in a dishwasher.

Do not use brushes that can damage the surface of the machine.

Do not clean any parts of the slicer with a steel or abrasive pad.

Do not move the machine to clean it.

EASY-CLEAN SYSTEM

1. **Make sure that the thickness control knob is in position “0” – Fig. 1 (the system operates only if the thickness control knob is in position “0”).**
2. Pull the carriage toward the thickness control knob and tilt the carriage outward – Fig. 2/3.
3. Proceed with the cleaning.

CLEANING OF THE BLADE



BLADE IS SHARP. HANDLE CAREFULLY WHEN CLEANING.

It is not necessary to disassemble the blade when cleaning it because all its parts are reachable. The blade is very sharp.

WARNING: The replacement of the blade must be made by specialized personnel.

- The blade has to be replaced when it is not possible to sharpen it, or when the distance between the cutting part of the blade and the blade guard is more than 1/4 inch.
- The machine and all its parts should be cleaned with soft cloths moistened with standard, neutral detergents.
- Use soft cloths for drying. When the sliding carriage moves with difficulty, lift the food slicer and place it on its side. Carefully clean the cylindrical sliding bar and lubricate it with lithium grease or a similar product.

BEFORE CLEANING, SHARPENING, SERVICING OR REMOVING ANY PARTS, ALWAYS TURN SLICER OFF. Turn the slice thickness dial clockwise to the “0” position until it stops, and unplug power cord.

NEVER attempt to clean slicer with the blade running.

NEVER attempt to remove the blade or blade guard from the slicer. They must remain on the slicer for proper operation, sharpening and cleaning.

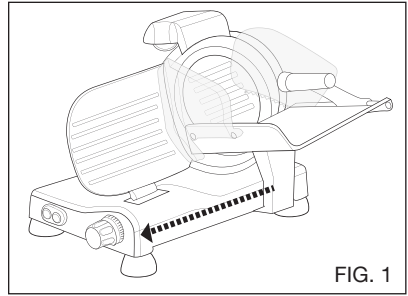


FIG. 1

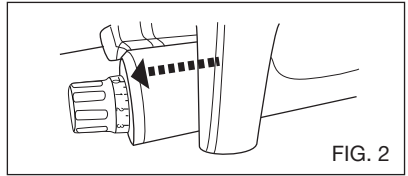


FIG. 2

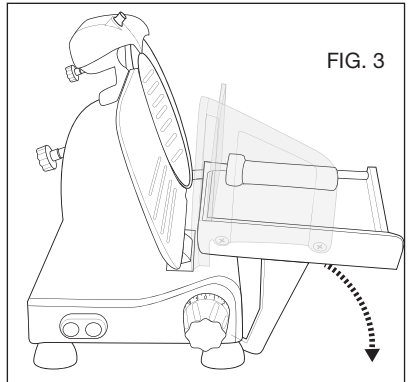
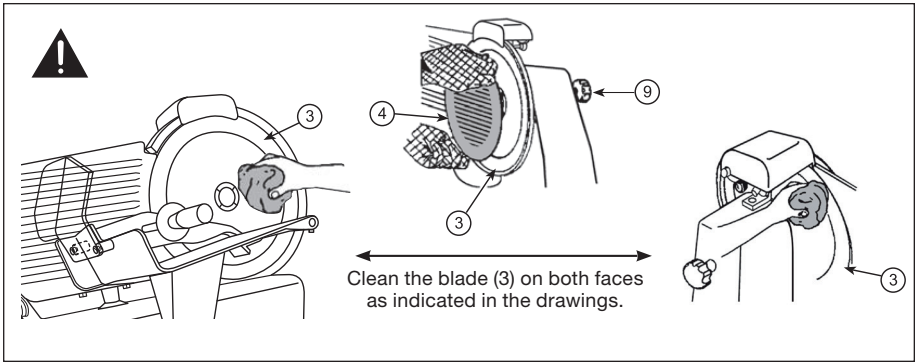


FIG. 3



WARNING: The slicer blade is very sharp. Exercise extreme caution when working near the blade.

It is recommended to use the proper anti-cut gloves to avoid danger of cutting.

- Disassemble the blade cover (4).
- Loosen the blade cover release knob (9), unthread it and remove the blade cover.

IMPORTANT! A micro switch interrupts electrical current supply whenever the blade cover release knob (9) is removed.

Use a soft cloth moistened with a neutral detergent and wipe blade from the center out.

Rinse with hot water and dry.

An important step to kill bacteria is to allow the parts to air-dry before using.

DO NOT exceed chemical manufacturer's recommended concentrations for detergent or sanitizer. Do not exceed 200 parts per million concentration of available chlorine (1 tablespoon of 5.25% sodium hypochlorite bleach with 1 gallon of water). The effect of the sanitizing solution varies with its temperature and concentration.

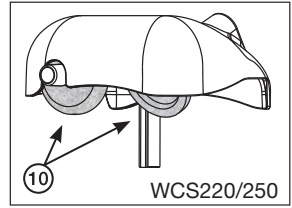
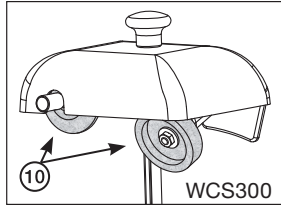
NOTE: Failure to follow use, care and maintenance instructions may void your warranty.

Use **ONLY** products formulated to be safe on stainless steel or aluminum.

WHEEL CLEANING

After many sharpening operations, clean the sharpening stones (10) of sharpening residue with a metallic brush.

Wipe sharpening wheels with alcohol after cleaning.

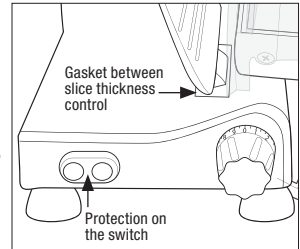


Any other servicing should be performed by an authorized service representative.

GASKET INSPECTION

The recommended interval between inspections shall not exceed six months for components that are detached for cleaning and sanitizing and twelve months for all others.

The inspections must be made by the manufacturer or its authorized service agent.



WARNING

The slicer must be removed from service until repaired by the manufacturer or its Waring authorized service agent if any gasket or seal is found to be damaged, or missing.

Inspection instructions shall include: Location of all gaskets and seals located in food and splash zones.

REMOVABLE ACCESSORY PARTS

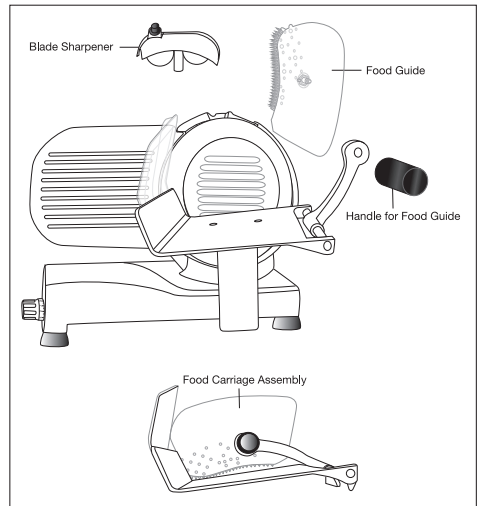
NOTE: Contact your nearest authorized service center for blade replacement

Transmission

The transmission is made by a multigrip belt. It is not necessary to regulate.

– Do not let dirt or oil come into contact with the transmission, as this will affect the performance of the slicer.

– In that case, it must be replaced, taking care of de-greasing both the motor pin and the pulley.



Electric cord

Periodically check its condition (there must not be any kinks). If the cord is damaged, it has to be replaced. Please return it to an authorized service center for replacement.

Blade

The blade has to be replaced when it is not possible to sharpen it or when the distance between the cutting part of the blade and the blade guard is more than 1/4 inch. Please contact your nearest authorized service center for replacement.

Sharpening stones of the sharpener

These stones, after a lot of sharpening operations, lose their abrasive action and they must be replaced. Contact your nearest authorized service center for replacement.

TROUBLESHOOTING GUIDE

SYMPTOM	CAUSE	SOLUTION
Slicer will not start	Slicer not plugged in	Plug in slicer
	Blade cover removed or not properly installed	Install blade cover and tighten the blade cover release knob
Ragged cuts, poor yield	Dull blade	Sharpen blade; make sure blade and stones are clean
	Chipped blade	Sharpen or have new blade installed
	Blade too small	Have new blade installed
Metal rubbing on blade	Blade cover not tightened/ properly installed	Tighten blade cover release knob
Hard-to-push food carriage assembly	No lubrication	Lubricate sliding bars thoroughly with Petro-Gel or similar. No vegetable oil!
Hard to sharpen	Stones dirty, wet or clogged with grease	Clean stones with warm water and a brush. Allow stones to air-dry and lubricate shafts with Petro-Gel or similar.
	Blade dirty	Clean top and bottom of blade
	Worn stones	Have stones replaced
	Stones not properly aligned	Have sharpener adjusted
Slicer stops running	Motor overheated	Unplug unit and wait 10–15 minutes for slicer to cool down. Turn unit back on and push the ON button. If problem persists, contact an authorized service center.

LIMITED ONE-YEAR WARRANTY (U.S. AND CANADA ONLY)

Waring warrants every new WARING COMMERCIAL PRODUCT to be free from defects in materials and workmanship for a period of one year from the date of purchase when used with foodstuffs, nonabrasive liquids (other than detergents) and nonabrasive semi-liquids, providing it has not been subject to loads in excess of the indicated rating.

Under this warranty, the Waring Commercial Division will repair or replace any part which, upon our examination, is defective in materials or workmanship, provided the product is delivered prepaid to the Waring Service Center, 314 Ella T. Grasso Ave., Torrington, CT 06790 or any Factory Approved Service Center.

This warranty does not: a) apply to any product that has become worn, defective, damaged or broken due to misuse or due to repairs or servicing by other than the Waring Service Center or a Factory Approved Service Center or due to abuse, misuse, overloading or tampering; b) cover consequential damages of any kind.

The one-year warranty is applicable only to appliances used in the United States and Canada; this supersedes all other express product warranty or guarantee statements.

Warning: This warranty is VOID if appliance is used on Direct Current (DC).

IMPORTANTES INSTRUCCIONES DE DESEMBALAJE

PRECAUCIÓN: LA CUCHILLA REBANADORA ES MUY FILOSA.

Para evitar las heridas, desembale el aparato cuidadosamente, siguiendo las instrucciones a continuación:

1. Ponga la caja sobre una superficie espaciosa, plana y segura.
2. Saque el libro de instrucciones y otros folletos.
3. Coloque la caja de lado, y luego voltéela de modo que el lado abierto mire hacia el piso.
4. Levante la caja y quite los insertos de espuma de poliestireno.
5. Quite la bolsa protectora.
6. Para levantar y mover la unidad, doble las rodillas para evitar lesiones en la espalda y coloque una mano debajo del bloque-motor y la otra debajo del carro/bandeja móvil.
7. Tenga mucho cuidado al manipular la cuchilla. Le sugerimos que conserve la caja y el material de embalaje en caso de que sea necesario enviar el aparato en el futuro.

Mantenga las bolsas de plástico fuera del alcance de los niños.

INSTRUCCIONES DE EMPAQUE

1. Ponga el aparato sobre una superficie espaciosa, plana y segura.
2. Coloque el aparato en la bolsa de plástico.
3. Coloque un inserto de espuma de poliestireno en cada lado del aparato.
4. Coloque el aparato, junto con los insertos, en la caja.
5. Vuelva a colocar el inserto de cartón encima del aparato, ponga el manual de instrucciones y otros folletos en la caja y cierre la misma.



ENTREGA/TRANSPORTE, EMBALAJE Y ALMACENAJE

TRANSPORTE – MANIPULACIÓN – ALMACENAJE

El aparato viene en una caja de cartón con insertos de espuma de poliestireno.


El embalaje es adecuado para transportar el aparato por todos los medios de transporte.

Puede apilar hasta tres cartones encima uno de otro.

- La caja y material embalaje deben mantenerse secos.
- La caja debe ser manejada por 2 personas.
- Cuando la caja se encuentre en una paleta, manipúlela solamente con elevadores eléctricos.

MEDIDAS DE SEGURIDAD IMPORTANTES

Al usar aparatos eléctricos, especialmente en presencia de niños, siempre debe tomar precauciones básicas de seguridad, entre ellas las siguientes:

1. **LEA TODAS LAS INSTRUCCIONES.**
2. **Desenchufe el aparato cuando no está en uso, antes de instalar/sacar piezas, antes de limpiar el aparato, y antes de instalar, ajustar o sacar el afilador de cuchilla.**
3. La cuchilla es extremadamente filosa; manipúlela con sumo cuidado. 
4. Para reducir el riesgo de descarga eléctrica, no coloque la base del aparato en agua ni en ningún otro líquido.
5. No utilice el aparato cerca de niños o personas con ciertas discapacidades.
6. Evite el contacto con las piezas móviles.
7. No coloque el aparato sobre o cerca de una hornilla caliente, ni adentro de un horno caliente; tampoco lo ponga en el lavavajillas.
8. No utilice este aparato si el cable o el enchufe están dañados, después de un mal funcionamiento, después de que se haya caído o si está dañado;
En caso de daño o mal funcionamiento, interrumpa inmediatamente el uso y llame al 1-800-269-6640. Regrese el aparato al centro de servicio autorizado más cercano para su revisión, reparación o ajuste.
9. No lo utilice en exteriores.
10. No permita que el cable cuelgue del borde de la encimera o de la mesa, ni que tenga contacto con superficies calientes o tajantes.
11. Ponga el aparato sobre una superficie llana y segura.

No coloque el aparato cerca del borde de una mesa o encimera, de donde pueda ser empujado o caerse.

12. Nunca enchufe el aparato en un lugar donde pueda quedar sumergido en agua.
13. **MANTENGA LOS DEDOS ALEJADOS DE LA CUCHILLA DURANTE EL FUNCIONAMIENTO.**
14. El uso de accesorios no recomendados o vendidos por el fabricante presenta un riesgo de incendio, descarga eléctrica o heridas.
15. Use el aparato para cortar SOLAMENTE los alimentos mencionados. No intente rebanar alimentos congelados o materiales como huesos, cartón, plástico, etc.
16. **PARA REDUCIR EL RIESGO DE DESCARGA ELÉCTRICA, NO COLOQUE EL APARATO EN AGUA NI EN NINGÚN OTRO LÍQUIDO.**
17. La cuchilla de la rebanadora/cortadora de fiambres Waring® es muy filosa. Para evitar las heridas, nunca empuje los alimentos con la mano. No utilice el aparato a menos que esté completamente y correctamente ensamblado; nunca lo use sin el carro/bandeja móvil ni el empujador.
18. **ADVERTENCIA:** los niños o las personas que carezcan de la experiencia o de los conocimientos necesarios para manipular el aparato, o aquellas cuyas capacidades físicas, sensoriales o mentales estén limitadas, no deben utilizar este aparato a menos que hayan recibido la formación adecuada para hacerlo de manera segura. Se aconseja vigilar a los niños para asegurarse de que no jueguen con el aparato. El uso de este aparato debe realizarse con el máximo cuidado, ya que se trata de una máquina de corte.
19. Siempre use el aparato completamente ensamblado, con el carro/bandeja móvil, el empujador y todas las piezas de protección en su puesto.
20. El uso de repuestos no recomendados o vendidos por el fabricante presenta un riesgo de incendio, descarga eléctrica o heridas.
21. No agarre las rebanadas/lonchas con la mano.
22. No permita que los niños jueguen con este aparato.
23. No use el aparato si las piezas de protección no están en su puesto.
24. Waring declina toda responsabilidad en caso de uso indebido del aparato. No utilice el aparato para cortar alimentos congelados, carne con hueso o cualquier cosa que no sean

alimentos. Compruebe periódicamente el estado del cable; en caso de que esté dañado, debe ser sustituido por personal cualificado.

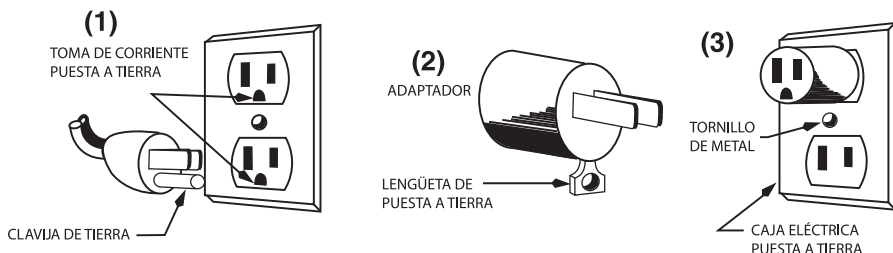
25. No sumerja el aparato en agua para limpiarlo.
26. No lave el aparato a presión o a chorro.
27. No utilice extensiones.
28. No jale el cable para desenchufar el aparato.
29. No use el aparato con las manos mojadas o los pies descalzos.
30. No coloque el aparato cerca de una fuente de calor.
31. Aunque el aparato esté equipado con dispositivos de seguridad, mantenga las manos alejadas de la cuchilla y de las piezas móviles.

GUARDE ESTAS INSTRUCCIONES. PARA USO COMERCIAL SOLAMENTE

INSTRUCCIONES DE PUESTA A TIERRA

Para su protección, este aparato debe estar puesto a tierra. Este aparato está equipado con un cable/enchufe con puesta a tierra, el cual debe ser conectado a una toma de corriente debidamente puesta a tierra (Fig. 1). Si una toma de corriente puesta a tierra no está disponible, se podrá usar un adaptador para conectar el aparato a una toma de corriente polarizada (Fig. 2).

El adaptador debe ser puesto a tierra mediante un tornillo de metal que conecte la lengüeta del mismo a la caja eléctrica (Fig. 3).



NOTA: está prohibido usar un adaptador en Canadá.

ÍNDICE


1. Instrucciones de desembalaje.....	18
2. Entrega/Transporte, embalaje y almacenaje.....	18
3. Medidas de seguridad importantes	19
4. Información general.....	22
5. Medidas de seguridad.....	22
6. Especificaciones técnicas.....	25
7. Instalación y operación.....	25
8. Limpieza y desinfección	28
9. Resolución de problemas.....	32
10. Reciclaje	33
11. Garantía	33

INFORMACIÓN GENERAL

PRESENTACIÓN

El objetivo de este manual de uso es proporcionar al consumidor la mayor cantidad de información posible sobre nuestra rebanadora de alimentos/cortadora de fiambres, así como las instrucciones para su uso y mantenimiento, con el fin de mantenerla funcionando eficientemente. Este manual de uso debe entregarse a las personas responsables por el uso y el mantenimiento regular del aparato. El manual de uso debe mantenerse en buen estado y guardarse en un lugar fácilmente accesible para su consulta rápida.

IMPORTANCIA DEL MANUAL DE USO

El manual de uso es parte integrante del aparato. Incluye información importante con respecto a la seguridad y los riesgos, indicada con estos símbolos: 

La información incluida le permitirá utilizar el aparato en perfectas condiciones de seguridad y obtener los mejores resultados.

MEDIDAS DE SEGURIDAD

TENSIÓN DE LA RED

Antes de enchufar el aparato, compruebe que la tensión de la red corresponda a la tensión indicada en la placa de especificaciones técnicas del aparato.

ADVERTENCIAS Y REGLAS DE SEGURIDAD LEA TODAS LAS INSTRUCCIONES



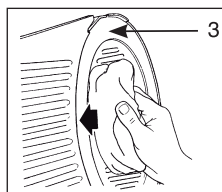
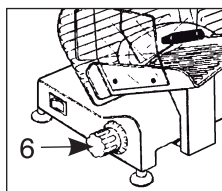
Lea atentamente todas las instrucciones antes de utilizar el aparato, prestando especial atención a los párrafos con los símbolos de seguridad y peligro.

CONTROL

Transmisión

Inmediatamente después de la instalación, compruebe que el aparato funciona correctamente, de la siguiente manera:

- Cerciórese de que la perilla de ajuste de espesor (6) está en la posición “0”.
- Encienda el aparato.
- Con un paño, empuje la cuchilla (3) para intentar frenarla; la cuchilla no debe detenerse. Si la cuchilla se detiene, regrese el aparato al centro de servicio de Waring.

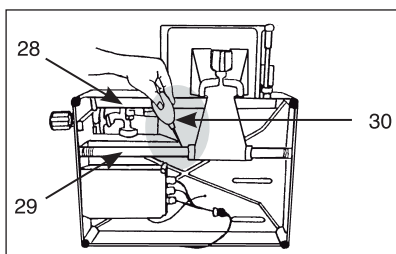


Capacidad de desplazamiento del carro/bandeja móvil

Averigüe que el carro/la bandeja móvil se desliza por toda su longitud de desplazamiento. Es posible que algunas piezas del embalaje queden pegadas en las barras de deslizamiento (28 y 29) y entorpezcan el mecanismo de deslizamiento.

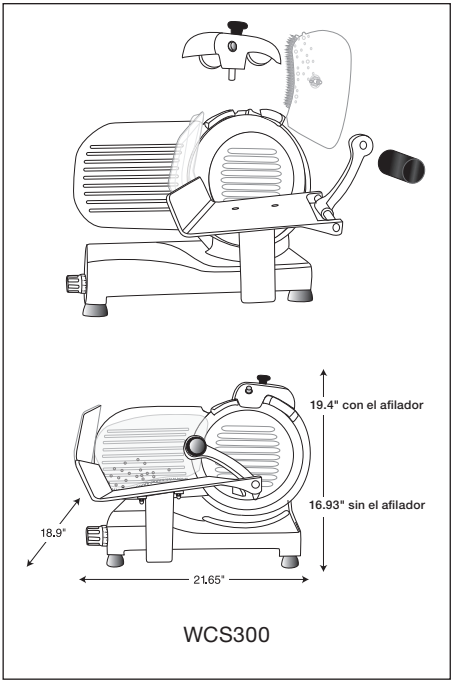
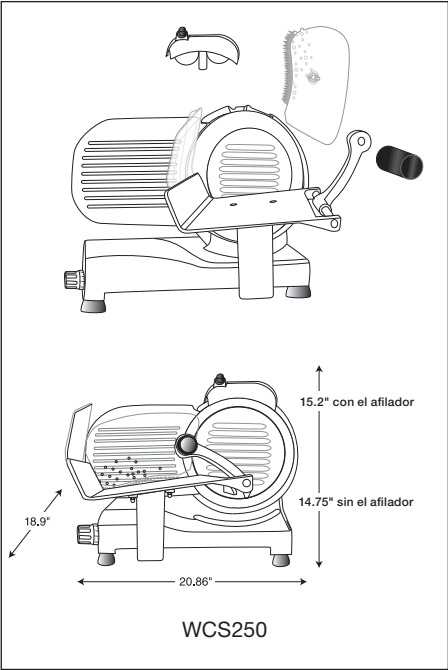
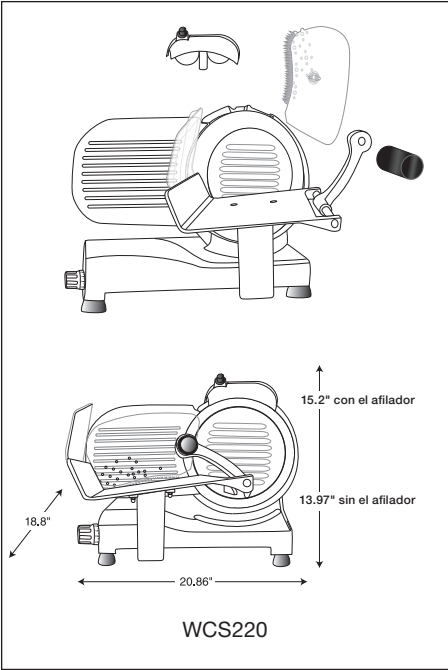
Limpie la barra cuadrada (28) con un paño, procurando no desengrasarla.

Regularmente, después de limpiar la barra de deslizamiento cilíndrica (29), lubríquela con Petro-Gel o un lubricante de calidad alimentaria similar (30).



Conjunto afilador

Compruebe que el conjunto afilador (10) está bien asentado, correctamente montado y seguro.



ESPECIFICACIONES TÉCNICAS/DIMENSIONES

CARACTERÍSTICAS TÉCNICAS

- Estructura de aluminio fundido
- Protector de cuchilla, carro/bandeja móvil y pared móvil de aluminio
- Eje de cuchilla montado en un rodamiento de bolas doble
- Motor ventilado profesional
- Cuchilla templada profesional
- Protector de cuchilla

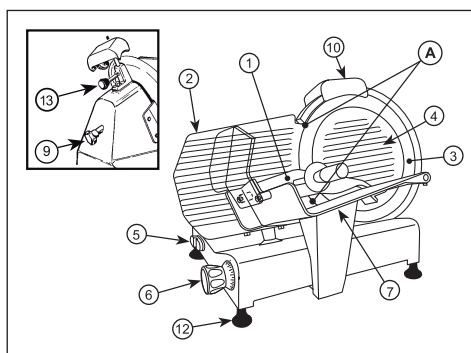
Información	WCS220	WCS250	WCS300
Dimensiones (Largo x Ancho)	18.8" x 20.8" (48 x 53 cm)	18.9" x 20.8" (48 x 53 cm)	18.9" x 21.6" (48 x 55 cm)
Altura (sin el afilador)	13.9" (35.5 cm)	14.7" (37.5 cm)	16.9" (43 cm)
Altura (con el afilador)	15.2" (38.5 cm)	15.2" (38.5 cm)	19.4" (49 cm)
Diámetro de la cuchilla	8.5" (21.5 cm)	10" (25.5 cm)	12" (30.5 cm)
Potencia	¾ HP*	¾ HP*	1 HP*
Capacidad de corte aproximada	8.2" x 5.7" (21 x 14.5 cm)	8.6" x 6.2" (22 x 16.5 cm)	7.8" x 8.0" (20 x 20.5 cm)
Recorrido del carro/de la bandeja móvil	9.2" (23.5 cm)	9.2" (23.5 cm)	9.2" (23.5 cm)
Peso	28.6 lb (13 kg)	30.9 lb (14 kg)	38.5 lb (17.5 kg)
Espesor de las lonchas	0" a 0.59" (0 a 15 mm)	0" a 0.59" (0 a 15 mm)	0" a 0.59" (0 a 15 mm)

INSTALACIÓN Y OPERACIÓN

INSTALACIÓN

Condiciones ambientales:

- Temperatura mínima superior a 7.7 °C (46 °F)
- Temperatura máxima inferior a 37.7 °C (100 °F)
- Índice de humedad mínimo: 30 %
- Índice de humedad máximo: 80 %
- El aparato debe colocarse sobre un soporte estable para evitar que se mueva durante el funcionamiento.
- El cable debe conectarse de manera que no presente un peligro de tropiezo.



*Potencia de entrada máxima, evaluada por una agencia de certificación.

Nivelación

Compruebe que la pared móvil (2) con la perilla de ajuste de espesor (6) (en la posición “0”) está alineado con la cuchilla (véase el dibujo arriba).

Si no están alineadas, ajuste la altura del pie derecho (12) destornillando o atornillándolo.

PIEZAS

- 1 – Brazo sujetador de alimento
- 2 – Pared móvil
- 3 – Cuchilla
- 4 – Cubre-cuchilla
- 5 – Botón de encendido/apagado
- 6 – Perilla de ajuste de espesor
- 7 – Carro/Bandeja móvil
- 9 – Perilla de liberación del cubre-cuchilla
- 10 – Conjunto afilador
- 12 – Pies
- 13 – Perilla de bloqueo del conjunto afilador

FUNCIONAMIENTO

Con el aparato apagado (“OFF”), jale el carro/la bandeja móvil (7) completamente hacia usted y coloque el alimento en la bandeja. Rebane solamente alimentos deshuesados no congelados.

Cerciórese de que todas las perillas están apretadas antes de usar el aparato.

Gire la perilla de ajuste de espesor en sentido antihorario para ajustar el espesor de corte al nivel deseado. Después del uso, siempre ponga la perilla de ajuste de espesor en la posición “0”, girando la perilla en sentido horario.

Para encender el aparato, oprima el botón verde ON; la luz de encendido se encenderá.

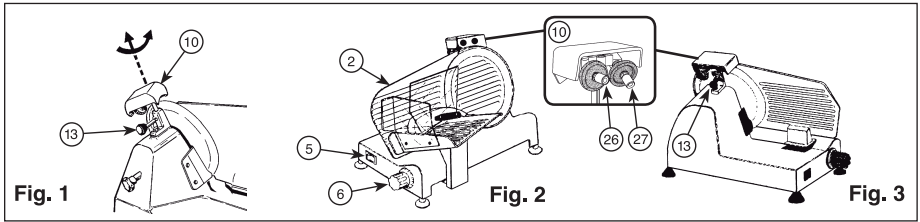
Para apagar el aparato, oprima el botón OFF.

NUNCA INTENTE AJUSTAR LA CARGA O DESCARGAR EL CARRO/LA BANDEJA MÓVIL DURANTE EL FUNCIONAMIENTO.

AFILADO DE LA CUCHILLA (para cuchillas de 8½ pulgadas/20.5 cm, 10 pulgadas/25.5 cm y 12 pulgadas/30.5 cm)

NOTA: la cuchilla es muy resistente; por lo tanto, solo es necesario afilarla cuando el rendimiento de corte disminuye.

- Desenchufe el aparato.



- Compruebe que la pared móvil (2) está cerrada (perilla de ajuste de espesor en la posición “0”) (Fig. 2).
- Con cuidado, limpie el filo de la cuchilla.
- Vuelva a enchufar el aparato.
- Afloje la perilla de bloqueo del conjunto afilador (13) (Fig. 1).
- Alce el conjunto afilador (10), girándolo 180° de manera que las dos ruedas de afilar estén en posición de trabajo (Fig. 2).
- Baje el conjunto afilador (10) hasta que encaje (Fig. 2).
- Gire la perilla de bloqueo (13) para bloquea el conjunto (Fig. 3).
- Oprima el botón de encendido (5) para encender el aparato (Fig. 2).
- Oprima el botón n. ° 26 y deje que la cuchilla de vueltas por aproximadamente 1 minuto. Luego, apague (“OFF”) el aparato. Apague el aparato. Cuando se inmovilice la cuchilla, compruebe si hay rebabas en el filo (Fig. 2).
- Si las hay, encienda la unidad y oprima suavemente el botón n. 27 por 3 segundos para quitarlas. (Fig. 2).
- Después del afilado, vuelva a colocar el conjunto afilador (10) en su posición original y limpie el filo de la cuchilla y las ruedas de afilar.
- Después de usar el conjunto afilador varias veces, quite los residuos de las ruedas con alcohol y un cepillo.

LIMPIEZA Y DESINFECCIÓN

LAVE, ENJUAGUE Y DESINFECTE CUIDADOSAMENTE EL APARATO DESPUÉS DE CADA USO, SEGÚN SE INDICA A CONTINUACIÓN.

EL INCUMPLIMIENTO DE ESTAS INSTRUCCIONES PUEDE CAUSAR UNA ACUMULACIÓN DE RESIDUOS EN LA UNIDAD.

Nunca limpie el aparato con productos o materiales abrasivos.

- Desenchufe el aparato antes de sacar y limpiar las piezas protectoras.
- Lave, enjuague, desinfecte y seque el aparato antes del primer uso, después de cada uso, y si no lo va a usar por un largo período de tiempo.
- Lave y enjuague la cuchilla y el carro/la bandeja móvil después de cada uso.
- Limpie y desinfecte el bloque-motor antes del primer uso y después de cada uso.
- Recomendamos que use soluciones limpiadoras a base de detergente sin espuma y soluciones desinfectantes con una concentración mínima de cloro de 100 ppm.
- Antes de llevar a cabo cualquier operación de mantenimiento, desenchufe el aparato y cerciórese de que la perilla de ajuste de espesor está en la posición "0". Regularmente, saque el protector de cuchilla, quitando el tornillo en el centro del protector. Luego, limpie la cuchilla y la parte interna del protector de cuchilla con alcohol o agua tibia.

Se podrán usar las soluciones siguientes o sus equivalentes:

SOLUCIÓN	PRODUCTO	PROPORCIONES	AJUSTE DE TEMPERATURA
Para lavar	Detergente líquido bajo en espuma LF2100® de International Products Corporation	1 % a 2 %: 1¼ onzas (40 ml) a 2¼ onzas (80 ml) de detergente por galón (3.8 L) de agua (dilución del 1 % para la limpieza normal, hasta 2 % para la limpieza intensiva)	Temperatura ambiente
Para enjuagar	Agua		Tibia 95 °F (35 °C)
Para desinfectar	Cloro, p.ej., Clorox® (concentración en hipoclorito del 8.25%)	2 cucharaditas (10 ml) de cloro por galón (3.8 L) de agua (o 3 cucharaditas/15 ml si el cloro tiene una concentración en hipoclorito del 5.25 %)	50°F a 120°F (10°C a 49°C)

No lave el aparato a presión o a chorro.

No lave el aparato con manguera, ni lo salpique excesivamente con agua.

No ponga ninguna de las piezas del aparato en el lavavajillas.

No use cepillos que puedan dañar la superficie del aparato.

No limpie ninguna parte del aparato con lana de acero u otros materiales abrasivos.

No mueva el aparato para limpiarlo.

SISTEMA FÁCIL DE LIMPIAR

1. Cerciórese de que la perilla de ajuste de espesor está en la posición "0" (Fig. 1).
2. Jale el carro/la bandeja móvil hacia la perilla de ajuste de espesor e inclínelo hacia fuera (Fig. 2 y Fig. 3).
3. Empiece con la limpieza.

LIMPIEZA DE LA CUCHILLA



LA CUCHILLA ES MUY FILOSA; MANIPÚLELA CON MUCHO CUIDADO DURANTE LA LIMPIEZA.

No es necesario desensamblar la cuchilla para limpiarla, ya que todas las partes de la misma son alcanzables. La cuchilla es muy filosa.

ADVERTENCIA: la cuchilla debe ser reemplazada solamente por personal de servicio especializado.

- Se debe cambiar la cuchilla de no ser posible afilarla, o si la distancia entre el filo de la cuchilla y el protector de cuchilla es superior a $\frac{1}{4}$ de pulgada (0.5 cm).
- El aparato y todas sus partes deben limpiarse con paños suaves humedecidos con detergentes neutros estándares.
- Use paños suaves para secar el aparato. Si el carro/la bandeja móvil

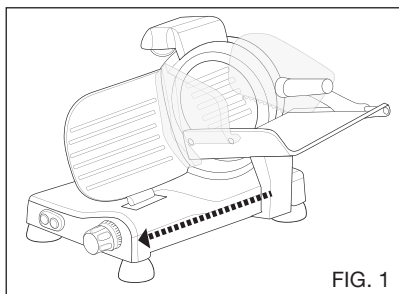


FIG. 1

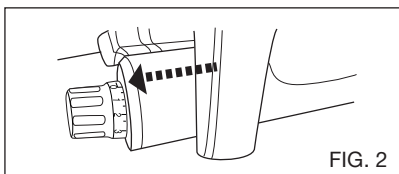


FIG. 2

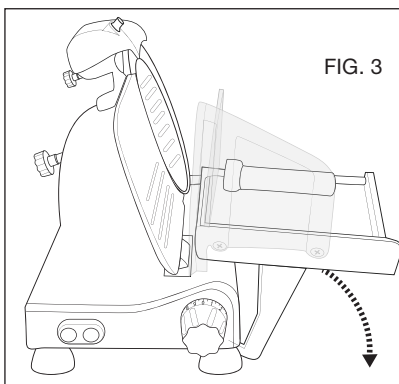


FIG. 3

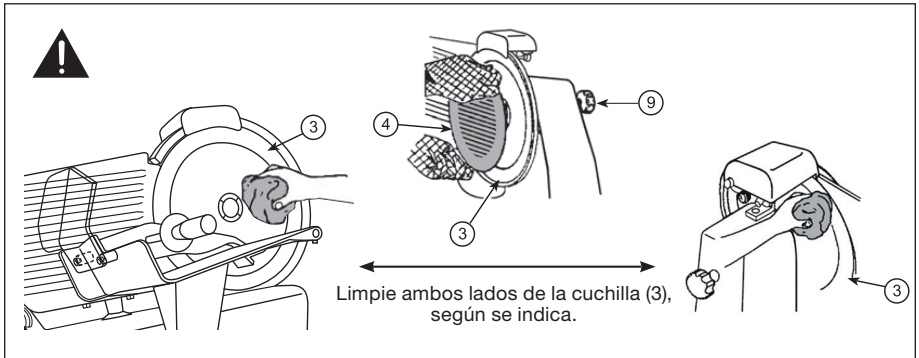
se mueve con dificultad, levante el aparato y colóquelo de lado. Con cuidado, limpie la barra deslizante cilíndrica, y luego lubríquela con grasa de litio o un lubricante similar.

SIEMPRE APAGUE EL APARATO ANTES DE LIMPIARLO, AFILAR LA CUCHILLA, SACAR LAS PIEZAS, O REALIZAR CUALQUIER OTRA OPERACIÓN DE MANTENIMIENTO. Ponga la perilla de ajuste de espesor en la posición “0”, girándola hasta que se detenga, y desenchufe el aparato.

NUNCA intente limpiar el aparato mientras la cuchilla está moviéndose.

NUNCA intente sacar la cuchilla o el protector de cuchilla. Deben estar en su puesto durante el funcionamiento, el afilado y la limpieza.

ADVERTENCIA: la cuchilla es muy filosa; tenga mucho cuidado cuando trabaje cerca de ella.



Se recomienda utilizar guantes anticorte adecuados para evitar el peligro de corte.

- Desensamble el cubre-cuchilla (4).
- Afloje la perilla de liberación del cubre-cuchilla (9), desenróscuela y quite la cubierta del protector de cuchilla.

¡IMPORTANTE! Un microinterruptor interrumpe el suministro eléctrico cada vez que se saca la perilla de liberación del cubre-cuchilla (9).

Limpie la cuchilla, desde el centro hacia el exterior, usando un paño suave humedecido con un detergente neutro.

Enjuague con agua caliente y seque.

Nota: para matar las bacterias, se aconseja dejar que las piezas se sequen al aire.

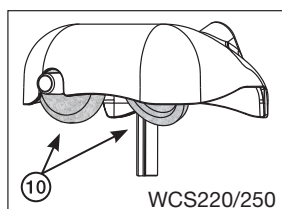
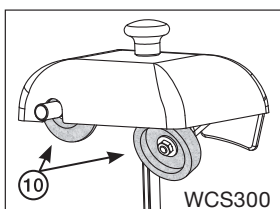
NO exceda las concentraciones de detergente o desinfectante recomendadas por el fabricante. **No** use solución de cloro con una concentración superior a 200 partes por millón (1 cucharada de blanqueador de hipoclorito de sodio al 5.25% por galón/3.8 L de agua). El efecto de la solución desinfectante varía con su temperatura y concentración.

NOTA: el incumplimiento de las instrucciones de uso, cuidado y mantenimiento puede anular la garantía.

Use **SOLAMENTE** productos de limpieza especialmente formulados para limpiar el acero inoxidable y el aluminio.

LIMPIEZA DE LAS RUEDAS DE AFILAR

Después de cada afilado, quite las virutas y otros residuos de metal de las ruedas de afilar (10) con un cepillo metálico. Después de limpiarlas, restriegue las ruedas de afilar con alcohol.



Cualquier otro servicio debe ser realizado por un técnico autorizado.

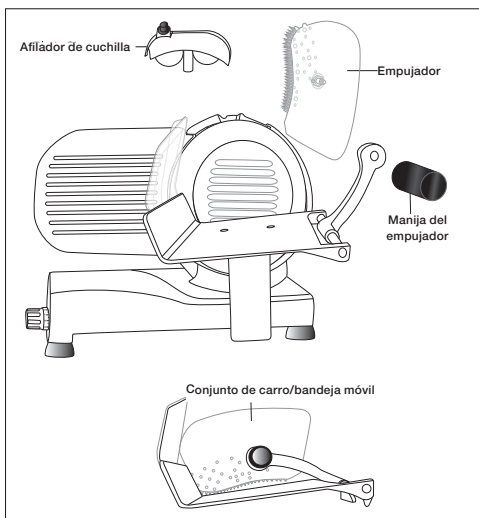
ACCESORIOS/PIEZAS REMOVIBLES

NOTA: comuníquese con el centro de servicio autorizado más cercano para conseguir cuchilla de repuesto.

Transmisión

La transmisión se realiza mediante una correa ranurada (tipo “multigrip”). No es necesario ajustarla.

- No permita que suciedad o aceite/lubricante tenga contacto con la transmisión, ya que esto afectará en rendimiento del aparato.
- En caso de que esto suceda, la correa debe ser cambiada, teniendo cuidado de desengrasar el pasador y la polea del motor.



Cable eléctrico

Compruebe regularmente el estado del cable (no debe ser torcido). Si está dañado, debe ser reemplazado; regréselo a un centro de servicio autorizado para su sustitución.

Cuchilla

Se debe cambiar la cuchilla de no ser posible afilarla, o si la distancia entre el filo de la cuchilla y el protector de cuchilla es superior a ¼ de pulgada (0.5 cm). Comuníquese con el centro de servicio autorizado más cercano para conseguir repuestos.

Piedras de afilar del afilador

Después de muchas operaciones de afilado, las piedras de afilar pierden su acción abrasiva y deben ser reemplazadas. Comuníquese con el centro de servicio autorizado más cercano para conseguir repuestos.

RESOLUCIÓN DE PROBLEMAS

PROBLEMA	CAUSA	SOLUCIÓN
El aparato no se enciende	El aparato no está enchufado El cubre-cuchilla no está en su puesto o no está instalado correctamente	Enchufe el aparato Instale el cubre-cuchilla y apriete la perilla de liberación del mismo
Corte irregular, alimentos triturados, bajo rendimiento	Cuchilla desafilada Cuchilla astillada Cuchilla demasiado pequeña	Afile la cuchilla, cerciorándose de que la cuchilla y las ruedas de afilar están limpias Afile la cuchilla o hágala cambiar Haga instalar una cuchilla nueva
Metal rozando la cuchilla	El cubre-cuchilla no está apretado o no está instalado correctamente	Apriete la perilla de liberación del cubre-cuchilla
Carro difícil de empujar	Falta de lubricación	Lubrique las barras de deslizamiento con Petro-Gel u otro lubricante similar. ¡No use aceite vegetal!
Cuchilla difícil de afilar	Piedras de afilar sucias, mojadas o atascadas con grasa Cuchilla sucia Piedras de afilar desgastadas Piedras de afilar desalineadas	Limpie las piedras de afilar con agua tibia y un cepillo. Permita que se sequen al aire y lubrique los árboles con Petro-Gel u otro lubricante similar. Limpie la parte superior y la parte inferior de la cuchilla. Haga cambiar las piedras de afilar. Haga ajustar el afilador.
El aparato deja de funcionar	Sobrecalentamiento del motor	Desenchufe el aparato y permita que se enfríe por 10 a 15 minutos. Vuelva a encender la unidad, oprimiendo el botón ON. Si el problema persiste, comuníquese con un centro de servicio autorizado.

GARANTÍA LIMITADA DE UN AÑO (VÁLIDA EN LOS EE.UU. Y EN CANADÁ SOLAMENTE)

Waring garantiza todo nuevo PRODUCTO WARING COMMERCIAL contra todo defecto de materiales o fabricación durante dos años a partir de la fecha de compra, siempre que haya sido usado con alimentos, líquidos no abrasivos (a excepción de detergentes) y semilíquidos no abrasivos, y que no haya sido sujeto a cargas que excedan su máxima capacidad.

Bajo esta garantía, Waring Commercial reparará o reemplazará toda pieza que, tras estar inspeccionada por nuestro servicio posventa, demuestre defectos de materiales o fabricación, siempre que el producto se regrese a un centro de servicio autorizado o se entregue con franqueo pagado a: 314 Ella T. Grasso Ave., Torrington, CT 06790.

Esta garantía: a) no se aplica a ningún producto desgastado, defectuoso, dañado o roto debido a uso, reparaciones/servicio realizados por personas no autorizadas, o abuso, mal uso, sobrecarga o daños intencionales; b) no cubre daños incidentales o consecuentes de ningún tipo.

Esta garantía es válida solamente para los aparatos comprados en los Estados Unidos y el Canadá y reemplaza todas las demás declaraciones expresas de garantía.

Advertencia: utilizar este aparato con corriente continua (C.C.) invalidará la garantía.

INSTRUCTIONS DE DÉBALLAGE

MISE EN GARDE : LA LAME TRANCHEUSE EST TRÈS TRANCHANTE.

Pour éviter toute blessure lors du déballage de l'appareil, veuillez suivre ces instructions :

1. Placer la boîte sur une grande surface plate et stable.
2. Retirer le livret de directives et tout autre document de la boîte.
3. Placer la boîte sur son côté, puis la retourner de façon à ce que le côté ouvert soit face au sol.
4. Soulever la boîte et retirer les inserts en mousse de polystyrène.
5. Retirer le sachet de protection.
6. Pour soulever et déplacer l'appareil, plier les genoux pour éviter les blessures au dos, et placer une main sous le bloc-moteur et l'autre sous le chariot/plateau coulissant.
7. Faire preuve d'une extrême prudence lorsque vous manipulez de la lame. Nous vous suggérons de conserver la boîte et les matériaux d'emballage au cas vous devriez expédier l'appareil un jour.

Tenir les sacs en plastique hors de portée des enfants.

INSTRUCTIONS DE RÉEMBALLAGE

1. Placer l'appareil sur une grande surface plate et stable.
2. Introduire l'appareil dans le sac en plastique.
3. Mettre un insert de mousse de polystyrène de chaque côté de l'appareil.
4. Mettre l'appareil, emballé, dans la boîte verticale.
5. Remettre le carton ondulé supérieur, le livret d'instructions et autres documents dans la boîte.



LIVRAISON/TRANSPORT, EMBALLAGE ET RANGEMENT

TRANSPORT – MANUTENTION – RANGEMENT

L'appareil est livré dans une boîte en carton avec des inserts en polystyrène expansé.

L'emballage est adapté au transport de l'appareil par tous


les moyens de transport.

Vous pouvez empiler jusqu'à trois cartons les uns sur les autres.

- La boîte et le matériel d'emballage doivent être conservés au sec.
- La boîte doit être manipulée par 2 personnes.
- Lorsque la boîte est sur une palette, ne la manipuler qu'avec des palans électriques.

IMPORTANTES CONSIGNES DE SÉCURITÉ

L'utilisation d'appareils électriques, notamment en présence d'enfants, requiert la prise de précautions élémentaires, parmi lesquelles les suivantes :

1. **LIRE TOUTES LES INSTRUCTIONS.**
2. **Débrancher l'appareil lorsque vous ne l'utilisez pas, avant d'installer ou de retirer des pièces, avant le nettoyage, et avant d'installer, de régler ou de retirer l'affûteur de lame.**
3. La lame est exceptionnellement tranchante ; la manipuler avec beaucoup de précaution. 
4. Afin d'éviter les risques de choc électrique, ne jamais placer l'appareil dans l'eau ou tout autre liquide.
5. Ne pas utiliser cet appareil près d'enfants ou de personnes atteintes de certains handicaps.
6. Éviter tout contact avec les éléments en mouvement.
7. Ne jamais placer l'appareil près d'un brûleur chaud, dans un four ou dans un lave-vaisselle.
8. Ne pas utiliser l'appareil si le cordon d'alimentation ou la fiche sont endommagés, s'il ne fonctionne pas correctement, s'il est abîmé ou après qu'il soit tombé. En cas de dommages ou mauvais fonctionnement, cesser immédiatement l'utilisation et appeler le service après-vente de Waring au (800) 269-6640. Renvoyer au centre de services autorisé le plus proche afin qu'il soit inspecté, réparé ou réglé au besoin.
9. Ne pas utiliser l'appareil à l'air libre.
10. Ne pas laisser le cordon pendre au bord d'une table ou d'un plan de travail, ni entrer en contact avec des bords tranchants ou des surfaces chaudes.

11. Placer l'appareil sur une surface stable et nivelée. Veiller à ce que l'appareil ne soit pas placé près du bord du plan de travail, d'où il peut facilement être poussé ou tomber.
12. Ne jamais brancher l'appareil dans un endroit où il risque d'être submergé.
13. **TENIR LES DOIGTS ÉLOIGNÉS DE LA LAME PENDANT LE FONCTIONNEMENT.**
14. L'utilisation d'accessoires non recommandés ou vendus par le fabricant peut présenter un risque d'incendie, de choc électrique ou de blessure.
15. Utiliser l'appareil pour couper UNIQUEMENT les aliments mentionnés dans ce livret. Ne pas essayer de trancher des aliments congelés ou des matériaux tels que des os, du carton, du plastique, etc.
16. **AFIN D'ÉVITER LES RISQUES DE CHOC ÉLECTRIQUE, NE JAMAIS PLACER L'APPAREIL DANS L'EAU OU TOUT AUTRE LIQUIDE.**
17. La lame de l'appareil est très tranchante. Pour éviter les blessures, ne jamais pousser les aliments avec la main. Utiliser l'appareil uniquement une fois qu'il est complètement et correctement assemblé ; ne jamais l'utiliser sans le chariot/ plateau coulissant ou le poussoir.
18. **AVERTISSEMENT** : cet appareil ne devrait pas être utilisé par des enfants ou des personnes atteintes de certains handicaps physiques, mentaux ou sensoriels, ou qui ne disposent pas des connaissances ou de l'expérience nécessaires, à moins qu'ils n'aient reçu une formation adéquate pour le faire en toute sécurité. Les enfants devraient être surveillés pour s'assurer qu'ils ne jouent pas avec l'appareil. Cet appareil doit être utilisé avec le plus grand soin, car il s'agit d'une machine de coupe.
19. Toujours utiliser l'appareil entièrement assemblé, avec le chariot/plateau coulissant, le poussoir et toutes les pièces de protection en place.
20. L'utilisation de pièces de rechange non recommandées ou vendues par le fabricant peut présenter un risque d'incendie, de choc électrique ou de blessure.
21. Ne pas attraper les tranches avec la main.
22. Veiller à ce que les enfants ne jouent pas avec l'appareil.
23. Ne pas utiliser l'appareil si les pièces de protection ne sont pas en place.

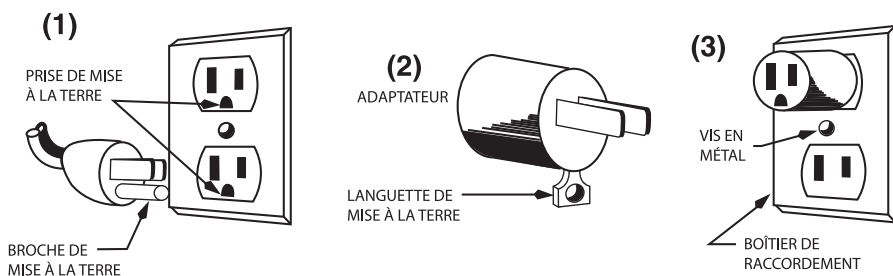
24. Waring décline toute responsabilité en cas de mauvaise utilisation de l'appareil. Ne pas utiliser l'appareil pour couper des aliments congelés, de la viande non désossée ou autre chose que des aliments. Vérifier régulièrement l'état du cordon; en cas de dommage, le faire remplacer par un technicien qualifié uniquement.
25. Ne pas submerger l'appareil dans l'eau pour le nettoyer.
26. Ne pas laver au jet ou à pression.
27. Ne pas utiliser avec une rallonge.
28. Ne pas tirer sur le cordon pour débrancher.
29. Ne pas utiliser l'appareil avec les mains mouillées ou pieds nus.
30. Ne pas placer l'appareil à proximité de sources de chaleur.
31. Même si l'appareil est équipé de dispositifs de sécurité, garder les mains loin de la lame et des pièces mobiles.

GARDER CES INSTRUCTIONS. POUR USAGE COMMERCIAL UNIQUEMENT

INSTRUCTIONS DE MISE À LA TERRE

Pour votre protection, cet appareil est équipé d'une fiche à trois broches. Cette fiche doit être branchée dans une prise de terre correctement configurée Voir illustration ci-contre (1). Un adaptateur temporaire (2) peut être utilisé pour brancher l'appareil dans une prise polarisée jusqu'à ce que vous fassiez installer une prise de terre adéquate par un électricien.

La languette de l'adaptateur doit être mise à la terre, en la fixant à un boîtier de raccordement (3) à l'aide d'une vis en métal.



REMARQUE : l'utilisation d'un adaptateur comme celui mentionné ci-dessus est interdite au Canada.

TABLE DES MATIÈRES

1. Instructions de déballage	34
2. Livraison/Transport, emballage et rangement	34
3. Importantes consignes de sécurité.....	35
4. Information générale	38
5. Mesures de sécurité	39
6. Spécifications techniques	41
7. Installation et fonctionnement	41
8. Nettoyage et désinfection	44
9. Résolution de problèmes	48
10. Recyclage	49
11. Garantie	49

INFORMATION GÉNÉRALE

PRÉSENTATION

Le but de ce manuel d'utilisation est de fournir au consommateur autant d'informations que possible sur notre trancheuse, ainsi que des instructions pour son utilisation et son entretien, afin d'assurer son bon fonctionnement. Ce manuel d'utilisation doit être remis aux personnes responsables de l'utilisation et de l'entretien régulier de l'appareil. Le manuel d'utilisation doit être conservé en bon état et gardé dans un endroit facilement accessible pour consultation rapide.

IMPORTANCE DU MANUEL D'UTILISATION

Le mode d'emploi fait partie intégrante de l'appareil. Il contient des informations importantes concernant la sécurité et les dangers, indiquées par ces symboles : 

Les informations incluses vous permettront d'utiliser l'appareil dans des conditions de sécurité parfaites et d'obtenir les meilleurs résultats.

MESURES DE SÉCURITÉ

TENSION DU RÉSEAU

Avant de brancher l'appareil, vérifier que la tension secteur correspond à la tension indiquée sur la plaque signalétique de l'appareil.

AVERTISSEMENTS ET RÈGLES DE SÉCURITÉ LIRE TOUTES LES INSTRUCTIONS



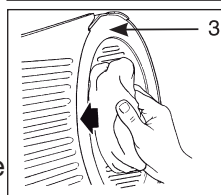
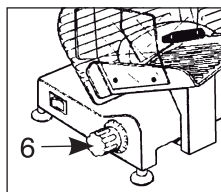
Lire attentivement toutes les instructions avant d'utiliser l'appareil, en prêtant une attention particulière aux paragraphes comportant les symboles de sécurité et de danger.

CONTRÔLE

Transmission

Immédiatement après l'installation, vérifier que l'appareil fonctionne correctement, comme suit :

- Vérifier que le bouton de réglage de l'épaisseur (6) est sur "0".
- Allumer l'appareil.
- Poussez la lame (3) avec un chiffon pour essayer de l'arrêter ; la lame ne doit pas s'arrêter. Si la lame s'arrête, renvoyer l'appareil au centre de service Waring.

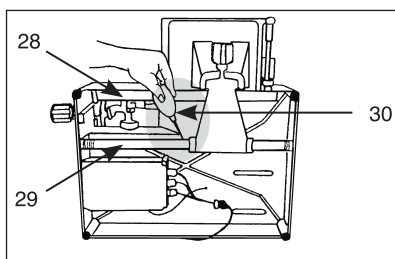


Capacité de déplacement du chariot/plateau coulissant

Vérifier que le chariot/plateau coulissant glisse sur toute sa course. Certaines parties de l'emballage peuvent rester collées aux barres coulissantes (28 et 29) et entraver le mécanisme de coulissement.

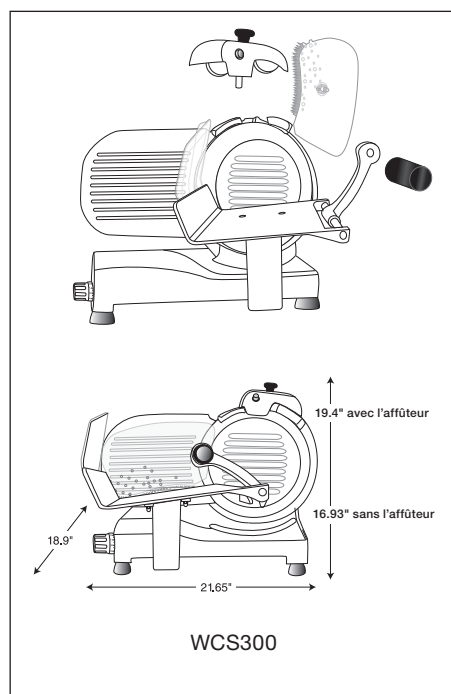
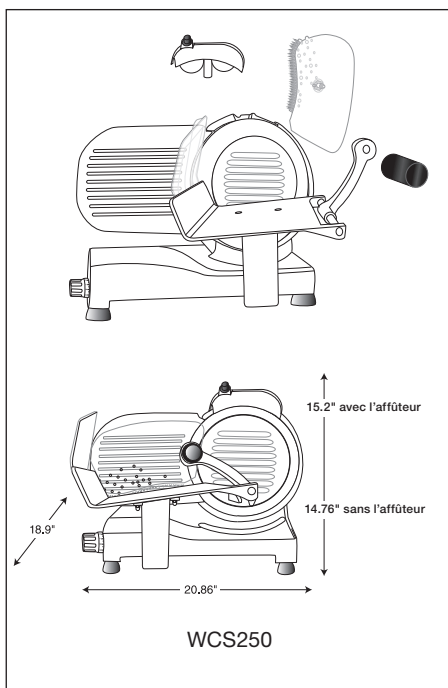
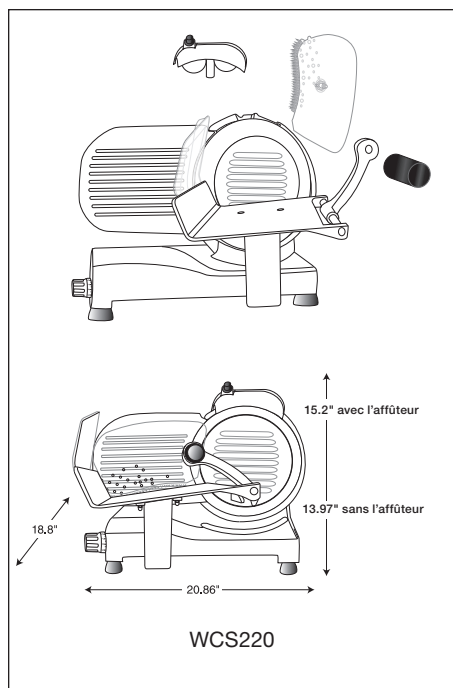
Nettoyer la tige carrée (28) avec un chiffon en prenant soin de ne pas la dégraisser.

Régulièrement, après avoir régulièrement la tige coulissante cylindrique (29), la lubrifier avec du Petro-Gel ou un lubrifiant de qualité alimentaire similaire (30).



Ensemble d'affûtage

Vérifier que l'ensemble d'affûtage (10) est correctement installé, correctement monté et sécurisé.



SPÉCIFICATIONS TECHNIQUES/DIMENSIONS

CARACTÉRISTIQUES TECHNIQUES

- Structure en fonte d'aluminium
- Protège-lame, chariot/plateau coulissant et paroi mobile en aluminium.
- Arbre porte-lame monté sur un double roulement à billes
- Moteur ventilé professionnel
- Lame trempée professionnelle
- Protège-lames

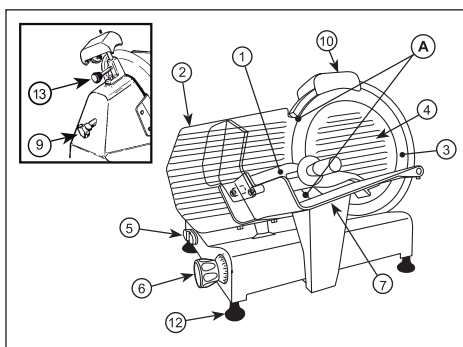
Information	WCS220	WCS250	WCS300
Dimensions (L x l)	18,8 x 20,8 po. (48 x 53 cm)	18,9 x 20,8 po. (48 x 53 cm)	18,9 x 21,6 po. (48 x 55 cm)
Hauteur (sans l'affûteur)	13,9 po. (35,5 cm)	14,7 po. (37,5 cm)	16,9 po. (43 cm)
Hauteur (avec l'affûteur)	15,2 po. (38,5 cm)	15,2 po. (38,5 cm)	19,4 po. (49 cm)
Diamètre de la lame	8,5 po. (21,5 cm)	10 po. (25,5 cm)	12 po. (30,5 cm)
Puissance	¾ HP*	¾ HP*	1 HP*
Capacité de coupe approximative	8,2 x 5,7 po. (21 x 14,5 cm)	8,6 x 6,2 po. (22 x 16,5 cm)	7,8 x 8,0 po. (20 x 20,5 cm)
Course du chariot/plateau coulissant	9,2 po. (23,5 cm)	9,2 po. (23,5 cm)	9,2 po. (23,5 cm)
Poids	28,6 lb (13 kg)	30,9 lb (14 kg)	38,5 lb (17,5 kg)
Épaisseur des tranches	0 à 0,59 po. (0 à 15 mm)	0 à 0,59 po. (0 à 15 mm)	0 à 0,59 po. (0 à 15 mm)

INSTALLATION ET FONCTIONNEMENT

INSTALLATION

Conditions environnementales :

- Température minimale supérieure à 46 °F (7,7 °C)
- Température maximale inférieure à 100 °F (37,7 °C)
- Taux d'humidité minimum : 30 %
- Taux d'humidité maximum : 80 %
- L'appareil doit être placé sur un support stable pour qu'il ne bouge pas pendant le fonctionnement.
- Le câble doit être raccordé de telle sorte qu'il ne présente pas de risque de trébuchement.



* Puissance d'entrée maximale, évaluée par un organisme de certification.

Mise à niveau

Vérifier que la paroi mobile (2) avec le bouton de réglage de l'épaisseur (6) (en position "0") est alignée avec la lame (cf. illustration ci-dessus).

Si elles ne sont pas alignées, régler la hauteur du pied droit (12) en le dévissant ou en le vissant.

PIÈCES

- 1 – Serre-viande
- 2 – Paroi mobile
- 3 – lame
- 4 – Couvercle de la lame
- 5 – Interrupteur marche/arrêt
- 6 – Bouton de réglage de l'épaisseur
- 7 – Chariot/plateau coulissant
- 9 – Bouton de libération du couvercle de la lame
- 10 – Ensemble d'affûtage
- 12 – Pieds
- 13 – Bouton de verrouillage de l'ensemble d'affûtage

FONCTIONNEMENT

Lorsque l'appareil est éteint ("OFF"), tirer le chariot/plateau coulissant (7) vers vous et placer les aliments sur le plateau. Ne trancher que des aliments désossés non congelés.

Vérifier que tous les boutons sont bien serrés avant d'utiliser l'appareil.

Tourner le bouton de réglage de l'épaisseur dans le sens inverse des aiguilles d'une montre pour régler l'épaisseur de coupe au niveau désiré. Après utilisation, toujours mettre le bouton de réglage de l'épaisseur sur "0" en tournant le bouton dans le sens des aiguilles d'une montre.

Pour allumer l'appareil, appuyer sur le bouton vert ON ; le témoin d'alimentation s'allumera.

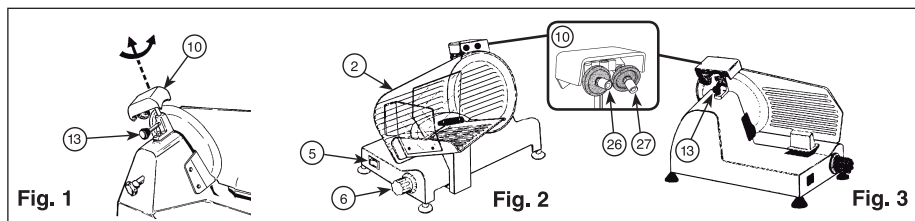
Pour arrêter l'appareil, appuyer sur le bouton OFF.

NE JAMAIS ESSAYER D'AJUSTER LA CHARGE OU DE DÉCHARGER LE PLATEAU ALORS QUE L'APPAREIL EST EN MARCHE.

AFFÛTAGE DE LA LAME (pour lames de 8½ po./20,5 cm, 10 po./25,5 cm et 12 po./30,5 cm)

REMARQUE : la lame est très résistante ; elle ne doit donc être affûtée que lorsque les performances de coupe diminuent.

- Débrancher l'appareil.



- Vérifier que la paroi mobile (2) est fermée (bouton de réglage de l'épaisseur sur "0") (Fig. 2).
- Nettoyer soigneusement le fil de la lame.
- Rebrancher l'appareil.
- Desserrer le bouton de verrouillage (13) de l'ensemble d'affûtage (10) (Fig. 1).
- Relever l'ensemble d'affûtage (10) en la tournant de 180° de manière à ce que les deux meules soient en position de travail (Fig. 2).
- Abaisser l'ensemble d'affûtage (10) jusqu'à ce qu'il s'enclenche (Fig. 2).
- Tourner le bouton de verrouillage (13) pour verrouiller l'ensemble (Fig. 3).
- Appuyer sur l'interrupteur marche/arrêt (5) pour allumer l'appareil (Fig. 2).
- Appuyer sur le bouton n ° 26 et laisser tourner la lame pendant environ 1 minute. Mettre ensuite l'appareil hors tension. Éteindre (5) l'appareil. Une fois que la lame est immobile, vérifier s'il y a des bavures sur le fil (Fig. 2).
- S'il y en a, allumer l'appareil et appuyez doucement sur le bouton n ° 27 pendant 3 secondes pour les éliminer. (Fig. 2).
- Après l'affûtage, remettre l'ensemble d'affûtage (10) à sa position d'origine et nettoyer le fil de la lame et les meules d'affûtage.
- Après avoir utilisé l'ensemble d'affûtage plusieurs fois, éliminer les débris des meules avec de l'alcool et une brosse.

NETTOYAGE ET DÉSINFECTION

LAVER, RINCER ET DÉSINFECTER SOIGNEUSEMENT L'APPAREIL APRÈS CHAQUE UTILISATION, COMME SUIT.

LE NON-RESPECT DE CES INSTRUCTIONS PEUT ENTRAÎNER UNE ACCUMULATION DE RÉSIDUS SUR L'APPAREIL.

- Ne jamais nettoyer l'appareil avec des produits ou matériaux abrasifs.
- Débrancher l'appareil avant de retirer et de nettoyer les pièces de protection.
- Laver, rincer, désinfecter et sécher l'appareil avant la première utilisation, après chaque utilisation, et si vous n'allez pas l'utiliser pendant une période prolongée.
- Laver et sécher la lame et le chariot/plateau coulissant après chaque utilisation.
- Nettoyer et désinfecter le socle-moteur avant d'utiliser l'appareil pour la première fois et après chaque utilisation.
- Nous recommandons l'utilisation d'une solution de nettoyage à base de détergent non moussant et d'une solution désinfectante à base de chlore, avec une concentration minimum de 100 ppm.
- Avant toute opération d'entretien, débrancher l'appareil et vérifier que le bouton de réglage de l'épaisseur est sur "0". Enlever régulièrement le protège-lame en retirant la vis au centre de ce dernier. Nettoyer ensuite la lame et l'intérieur du protège-lame avec de l'alcool ou de l'eau tiède.

Vous pouvez utiliser les solutions suivantes ou leur équivalent :

SOLUTION	PRODUIT	PROPORTIONS	TEMPÉRATURE
Lavage	Détergent liquide peu moussant LF2100® d'International Products Corporation	1 % à 2 % : 1¼ once (40 ml) à 2¼ onces (80 ml) de détergent par gallon (3,8 L) d'eau (dilution à 1 % pour le nettoyage normal, jusqu'à 2 % pour le nettoyage intensif)	Température ambiante
Rinçage	Eau claire		Tiède 95°F (35°C)
Désinfection	Eau de javel Clorox® (concentration en hypochlorite de 8,25 %)	2 c. à thé (10 ml) d'eau de javel par gallon (3,8 L) d'eau (ou 3 c. à thé/15 ml si l'eau de javel a une concentration en hypochlorite de 5,25 %)	50 °F à 120 °F (10 °C à 49 °C)

Ne pas laver au jet ou à pression.

Ne pas laver l'appareil au jet ou l'éclabousser excessivement avec de l'eau.

Ne mettre aucune des pièces de l'appareil au lave-vaisselle.

Ne pas utiliser de brosses susceptibles d'endommager la surface de l'appareil.

Ne nettoyer aucune partie de l'appareil avec de la laine d'acier ou autres matériaux abrasifs.

Ne pas déplacer la machine pour la nettoyer.

SYSTÈME FACILE À NETTOYER

1. Vérifier que le bouton de réglage de l'épaisseur est sur "0" (Fig. 1).
2. Tirer le chariot/plateau coulissant vers le bouton de réglage de l'épaisseur et le faire basculer vers l'extérieur (Fig. 2 et Fig. 3).
3. Procéder au nettoyage.

NETTOYAGE DE LA LAME



**LA LAME TRÈS TRANCHANTE;
LA MANIPULER TRÈS
SOIGNEUSEMENT PENDANT LE
NETTOYAGE.**

Il n'est pas nécessaire de démonter la lame pour la nettoyer, car toutes les parties de la lame sont accessibles. La lame est très tranchante.

AVERTISSEMENT : la lame ne doit être remplacée que par du personnel d'entretien qualifié.

- La lame doit être remplacée si elle ne peut pas être affûtée, ou si la distance entre le bord de la lame et le protège-lame est supérieure à $\frac{1}{4}$ de po. (0,5 cm).
- L'appareil et ses pièces doivent être nettoyés avec un linge doux imbibé d'un détergent neutre standard.

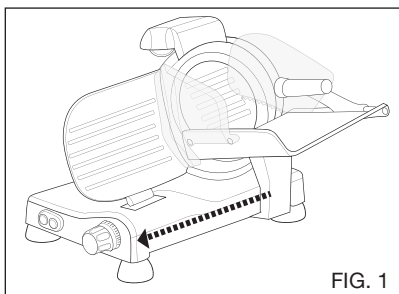


FIG. 1

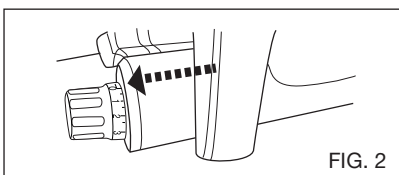


FIG. 2

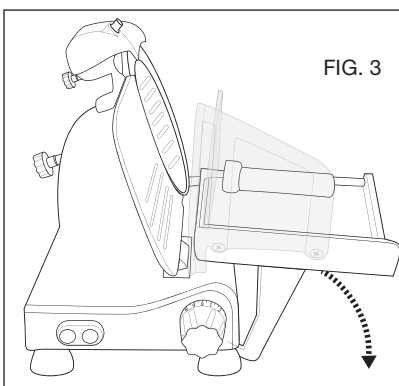


FIG. 3

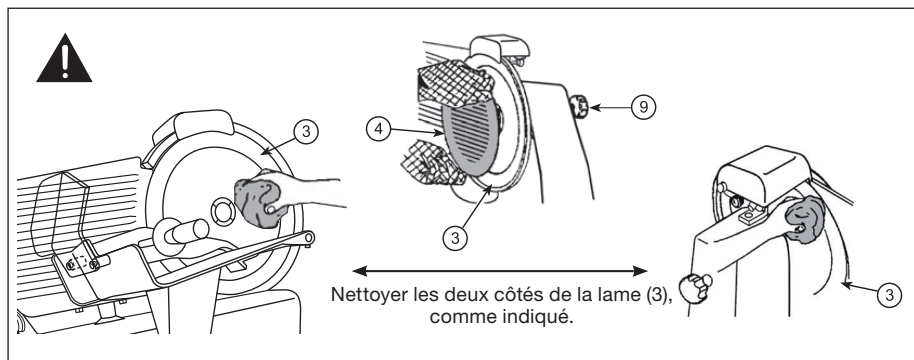
- Utiliser un linge doux pour sécher l'appareil. Si le chariot/plateau coulissant se déplace difficilement, soulever l'appareil et le mettre sur le côté. Nettoyer soigneusement la barre coulissante cylindrique, puis la lubrifier avec de la graisse au lithium ou un lubrifiant similaire.

TOUJOURS ÉTEINDRE L'APPAREIL AVANT DE LE NETTOYER, D'AFFÛTER LA LAME, D'ENLEVER DES PIÈCES OU D'EFFECTUER TOUTE AUTRE OPÉRATION D'ENTRETIEN. Mettre le bouton de réglage de l'épaisseur sur "0", en le tournant jusqu'à ce qu'il s'arrête, et débrancher l'appareil.

NE JAMAIS essayer de nettoyer l'appareil alors que la lame est en marche.

NE JAMAIS essayer d'enlever la lame ou le protège-lame. Ils doivent être en place pendant le fonctionnement, l'affûtage et le nettoyage.

AVERTISSEMENT : la lame est très tranchante ; faire preuve d'une extrême prudence lorsque vous travaillez près d'elle.



Il est recommandé d'utiliser des gants anti-coupure appropriés pour éviter le risque de coupure.

- Retirer le couvercle de la lame (4).
- Desserrer le bouton de verrouillage du couvercle de la lame (9), le dévisser et retirer le couvercle du protège-lame.

IMPORTANT ! Un micro-interrupteur interrompt l'alimentation électrique à chaque fois que le bouton de libération du couvercle de la lame (9) est retiré.

Essuyer la lame, du centre vers l'extérieur, à l'aide d'un chiffon doux imbibé d'un détergent neutre.

Rincer avec de l'eau chaude et sécher.

Remarque : pour tuer les bactéries, il est conseillé de laisser sécher les pièces à l'air.

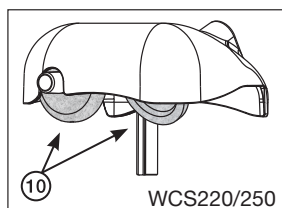
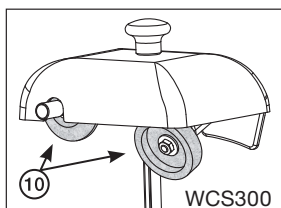
NE PAS dépasser les concentrations de détergent ou de désinfectant recommandées par le fabricant. Ne pas utiliser de solution chlorée d'une concentration supérieure à 200 parties par million (1 cuillère à soupe d'eau de Javel à 5,25 % d'hypochlorite de sodium par gallon/3,8 L d'eau). L'effet de la solution désinfectante varie en fonction de sa température et de sa concentration.

REMARQUE : le non-respect des directives d'utilisation, d'entretien et de maintenance peut annuler la garantie.

Utiliser SEULEMENT des produits de nettoyage spécialement formulés pour nettoyer l'acier inoxydable et l'aluminium.

NETTOYAGE DES MEULES D'AFFÛTAGE

Après chaque affûtage, enlever les bavures et autres résidus métalliques des meules (10) à l'aide d'une brosse métallique. Après le nettoyage, frotter les meules avec de l'alcool.



Toute autre opération d'entretien ou de réparation doit être effectuée par un technicien autorisé.

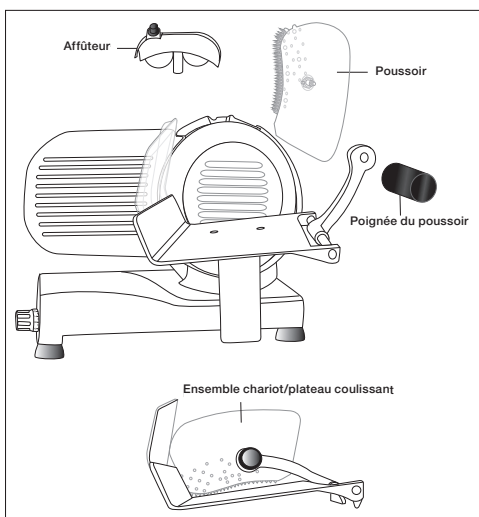
ACCESSOIRES/PIÈCES AMOVIBLES

REMARQUE : contacter le centre de service agréé le plus proche pour obtenir une lame de rechange.

Transmission

La transmission se fait par le biais d'une courroie rainurée (type "multigrip"). Il n'est pas nécessaire de l'ajuster.

- Ne pas laisser la saleté ou l'huile/lubrifiant entrer en contact avec la transmission, car cela affectera les performances de l'appareil.
- Si cela arrive, la courroie doit être remplacée, en prenant soin de dégraisser la goupille et la poulie du moteur.



Cordon électrique

Vérifier régulièrement l'état du cordon (il ne doit pas être tordu). Si le cordon est endommagé, il faut le remplacer ; le renvoyer à un centre de service autorisé pour obtenir un cordon de rechange.

Lame

La lame doit être remplacée si elle ne peut pas être affûtée, ou si la distance entre le bord de la lame et le protège-lame est supérieure à ¼ de po. (0,5 cm). Contacter le centre de service agréé le plus proche pour obtenir une lame de rechange.

Meules d'affûtage

Après de nombreuses opérations d'affûtage, les meules perdent leur action abrasive et doivent être remplacées. Contacter le centre de service agréé le plus proche pour obtenir des meules de rechange.

RÉSOLUTION DE PROBLÈMES

PROBLÈME	CAUSE	SOLUTION
L'appareil ne se met pas en marche	L'appareil n'est pas branché Le couvercle de la lame n'est pas en place, ou n'est pas correctement installé	Brancher l'appareil Installer le couvercle de la lame et serrer le bouton de libération du couvercle de la lame
Coupe irrégulière, aliments déchiquetés, rendement faible	Lame émoussée Lame ébréchée Lame trop petite pour la machine	Affûter la lame ; s'assurer que la lame et les meules sont propres Affûter la lame ou la faire remplacer Faire remplacer la lame
Le métal frotte sur la lame	Le couvercle de la lame n'est pas serré, ou n'est pas correctement installé	Resserrer le bouton de libération du couvercle de la lame
Chariot difficile à pousser	Manque de lubrification	Lubrifier soigneusement les barres coulissantes avec du Petro-Gel ou un lubrifiant similaire. Ne pas utiliser d'huile végétale !
La lame est difficile à affûtée	Meules sales, mouillées ou obstruées par de la graisse Lame sale Meules usées Meules mal alignées	Nettoyer les meules avec de l'eau tiède et une brosse. Laisser sécher les meules à l'air et lubrifier les arbres avec du Petro-Gel ou un lubrifiant similaire. Nettoyer le haut et le bas de la lame Faire changer les meules d'affûtage Faire régler l'affûteur
L'appareil s'arrête	Moteur surchauffé	Débrancher l'appareil et le laisser refroidir pendant 10 à 15 minutes. Remettre l'appareil en marche, en appuyant sur le bouton ON. Si le problème persiste, contacter un centre de service agréé.

GARANTIE LIMITÉE D'UN AN (VALABLE AUX É.-U. ET AU CANADA UNIQUEMENT)

Waring garantit tout nouvel appareil WARING COMMERCIAL contre tout vice de matière ou de fabrication pendant une période d'un an suivant sa date d'achat, à condition qu'il ait été utilisé uniquement avec des produits alimentaires, des liquides non-abrasifs (autres que des détergents) et des semi-liquides non-abrasifs, à condition que l'appareil n'ait pas été soumis à des charges excédant sa capacité maximale.

Au titre de cette garantie, la division Waring Commercial réparera ou remplacera toute pièce nous paraissant afficher un vice de matière ou de fabrication. Pour un service au titre de cette garantie, envoyez l'appareil, port payé, à Waring Service Center, 314 Ella T. Grasso Ave., Torrington, CT 06790 ou amenez-le à un centre de réparation agréé :

Cette garantie a) n'est pas valable si l'appareil est endommagé, cassé, détérioré ou s'il affiche un vice ou défaut résultant de l'utilisation, de l'entretien ou de la réparation par des personnes non autorisées, ou consécutif à l'usage abusif ou inapproprié, à la surcharge ou à la modification de l'appareil ; b) ne couvre aucun dommage accessoire ou indirect.

Cette garantie d'un an n'est valable que sur les appareils utilisés aux États-Unis et au Canada et abroge toute autre garantie formelle ou tout autre accord de garantie.

Avertissement : brancher cet appareil sur Courant Continu (C.C.) annulera la garantie.

Trademarks or service marks of third parties used herein are the trademarks or service marks of their respective owners.

Todas las marcas registradas, comerciales o de servicio mencionadas en este documento pertenecen a sus titulares respectivos.

Toutes les marques déposées, commerciales ou de service ci-incluses appartiennent à leurs propriétaires respectifs.

**©2018 Waring Commercial
314 Ella T. Grasso Ave.
Torrington, CT 06790**

www.waringcommercialproducts.com

**Made and printed in Italy
WCS220/250/300 Series IB
18WC051454**

IB-15300