



Over 90 Years Of Quality Foodservice
Products And Service

Job _____ Item No. _____

Extra Deep, 4/3 Pan MODs 12" X 27" One to Five Well Heavy Duty, Top-Mount, Rectangular Drop-In Food-Warmers



MOD427TDM



MOD427TDMAF

DESCRIPTION

Wells heavy-duty, top-mount, drop-in, modular food warmers are designed to hold heated foods at safe and fresh serving temperatures. Extra Deep, 12 X 27, 4/3rd Pan Models are available in One to Five well models. And accommodates 4 each 1/3 Size pans per well or equivalent fractional inset pans and are designed for wet or dry operation.

SPECIFICATIONS

Construction – One-piece stainless steel top flange and heavy-gauge, deep-drawn stainless steel warming pans are standard features on all models. Wellsloks are standard for quick and easy installation.

Insulation – Sides, front, back and bottom are fully insulated for energy savings, efficiency, quicker pre-heat and faster recovery.

Controls & Heating- Individual controls for each well provide maximum versatility. Extra deep models feature thermostatic controls. High-limits prevent overheating. Temperature-ready indicator lights are standard. Powerful tubular heating elements are located under the warming pans for quick and efficient heating and for even heat distribution.

Additional Features Available

- Auto water-fill to maintain proper water level
- Select models are field convertible from 3Ø to 1Ø
- Drains
- Drains with manifolds

STANDARD FEATURES

- Accommodates 4 each 1/3rd size inset pans per well or equivalent fractional pans
- One-piece stainless steel top flange and heavy-gauge, deep-drawn stainless steel warming pans
- Suitable for wet or dry operation (wet recommended for best results)
- Energy-saving fully-insulated construction
- Fully Insulated models are perfect for non-metal counters
- Thermostatic controls
- Separate controls for each individual wells
- High limits prevent overheating
- Thermostatic controls are recessed in a one-piece, drawn, front-mounted panel
- Wellslok standard for ease of installation
- Powerful tubular heating elements
- ½" drains and manifolds available
- 1-Year Limited Parts & 1-Year Limited Labor Warranty

OPTIONS & ACCESSORIES

- Adaptor tops for round insets
- Inset with lid
- 8oz. soup ladle
- Drain value extension kit
- Drain screens
- Wellslok extension kits for wood counter installations
- Optional 72" wiring
- Autofill models with single or double control panels

CERTIFICATIONS



Sheet No. MODEXTRA-D-03/18



Wells Manufacturing • 265 Hobson Street • Smithville, Tennessee 37166 U.S.A.
Phone : (314) 678-6314 • Fax (314) 781-5445
www.wells-mfg.com • Printed in the U.S.A.

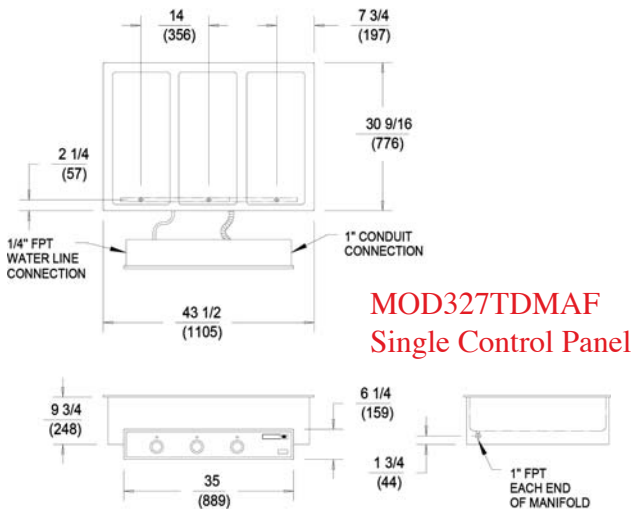
NOTE: Specifications are subject to change without notice and are not intended for installation purposes. See installation instructions prior to installing the unit.



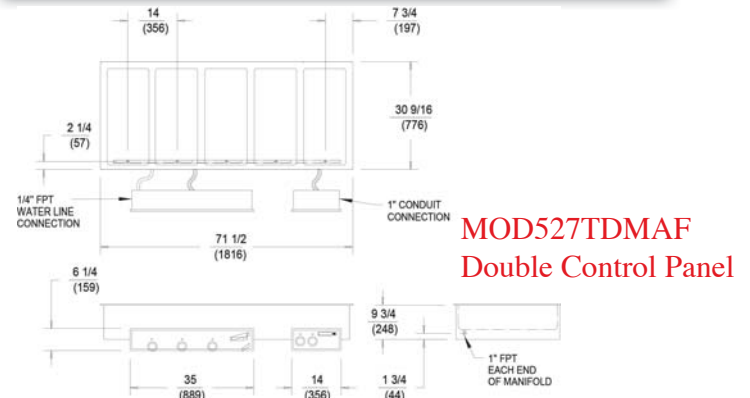
Over 90 Years Of Quality Foodservice Products And Service

Extra Deep, 4/3 Pan MODs 12" X 27" One to Five Well Heavy Duty, Top-Mount, Rectangular Drop-In Food-Warmers

NOTE: Specifications are subject to change without notice and are not intended for installation purposes. See installation instructions prior to installing the unit.



MOD327TDMAF
Single Control Panel



MOD527TDMAF
Double Control Panel

SPECIFICATIONS

Model Number	Description	Volts	Watts	Phase	Standard Power Cord Supply	OVERALL Width Inches (MM)	OVERALL Length Inches (MM)	OVERALL Height Inches (MM)	CONTROL PANEL Width Inches (MM)	CONTROL PANEL Height Inches (MM)	Shipping Weights Pounds (KG)	Grate Size Cubic Feet (Cubic Meters)	Approvals
Single Well Models													
MOD127T	Single Wells Well with Thermostatic Controls	208/240V	1240/1650	1Ø	NONE	14-3/4 (375)	30-1/2 (775)	9-3/4 (248)	14 (355)	6-1/4 (159)	25 (12)	10.55 (0.299)	NSF UL
MOD127TD	Single Well Thermostatic Controls with Drain	208/240V	1240/1650	1Ø	NONE	14-3/4 (375)	30-1/2 (775)	9-3/4 (248)	14 (355)	6-1/4 (159)	25 (12)	10.55 (0.299)	NSF UL
MOD127DADF	Single Well Thermostatic Controls with Drain and AutoFill	208/240V	1240/1650	1Ø	NONE	14-3/4 (375)	30-1/2 (775)	9-3/4 (248)	14 (355)	6-1/4 (159)	30 (14)	10.55 (0.299)	NSF UL
Double Well Models													
MOD227TDM	2 Well Thermostatic Controls with Drain & Manifold	208/240V	1240/1650	1Ø	NONE	29-1/2 (750)	30-9/16 (776)	9-3/4 (248)	14 (355)	6-1/4 (159)	65 (30)	10.55 (0.299)	NSF UL
MOD227TDMAF	2 Well Thermostatic Controls with Drain, Manifold and AutoFill	208/240V	1240/1650	1Ø	NONE	29-1/2 (750)	30-9/16 (776)	9-3/4 (248)	18 (457)	6-1/4 (159)	65 (30)	10.55 (0.299)	NSF UL
3 Well Models													
MOD327TDM	3 Well Thermostatic Controls with Drain & Manifold	208/240V	1240/1650	3Ø*	NONE	43-1/2 (1105)	30-9/16 (776)	9-3/4 (248)	18 (457)	6-1/4 (159)	90 (41)	15.58 (.441)	NSF UL
MOD327TDMAF*	3 Well Thermostatic Controls with Drain, Manifold and AutoFill	208/240V	1240/1650	3Ø*	NONE	43-1/2 (1105)	30-9/16 (776)	9-3/4 (248)	35 (889)	6-1/4 (159)	90 (41)	15.58 (.441)	NSF UL
MOD327T	3 Well Thermostatic Controls with No Drain	208/240V	1240/1650	3Ø*	NONE	43-1/2 (1105)	30-9/16 (776)	9-3/4 (248)	18 (457)	6-1/4 (159)	90 (41)	15.58 (.441)	NSF UL
MOD327TD	3 Well Thermostatic Controls with Drain	208/240V	1240/1650	3Ø*	NONE	43-1/2 (1105)	30-9/16 (776)	9-3/4 (248)	18 (457)	6-1/4 (159)	90 (41)	15.58 (.441)	NSF UL
4 Well Models													
MOD427TDM*	4 Well Thermostatic Controls with Drain & Manifold	208/240V	1240/1650	3Ø*	NONE	57-1/2 (1461)	30-9/16 (776)	9-3/4 (248)	35 (889)	6-1/4 (159)	112 (51)	15.58 (.441)	NSF UL
MOD427TDMAF*	4 Well Thermostatic Controls with Drain, Manifold and AutoFill	208/240V	1240/1650	3Ø*	NONE	57-1/2 (1461)	30-9/16 (776)	9-3/4 (248)	14 & 18 (356 & 457)	6-1/4 (159)	112 (51)	19.15 (.542)	NSF UL
MOD427TDMAF1*	4 Well Thermostatic Controls with Drain, Manifold and AutoFill	208/240V	1240/1650	3Ø*	NONE	57-1/2 (1461)	30-9/16 (776)	9-3/4 (248)	35-1/6 (891)	6-1/4 (159)	124 (56)	19.15 (.542)	NSF UL
5 Well Models													
MOD527TDM*	5 Well Thermostatic Controls with Drain & Manifold	208/240V	1240/1650	3Ø*	NONE	71-1/2 (1816)	30-9/16 (776)	9-3/4 (248)	35 (889)	6-1/4 (159)	136 (62)	37.3 (1.06)	NSF UL
MOD527TDMAF*	5 Well Thermostatic Controls with Drain, Manifold and AutoFill	208/240V	1240/1650	3Ø*	NONE	71-1/2 (1816)	30-9/16 (776)	9-3/4 (248)	14 & 18 (356 & 457)	6-1/4 (159)	232 (105)	37.3 (1.06)	NSF UL
MOD527TDMAF1*	5 Well Thermostatic Controls with Drain, Manifold and AutoFill	208/240V	1240/1650	3Ø*	NONE	71-1/2 (1816)	30-9/16 (776)	9-3/4 (248)	35-1/6 (891)	6-1/4 (159)	232 (105)	37.3 (1.06)	NSF UL

* Select models are field convertible from 3Ø to 1Ø

AutoFill models require a water connection. Please refer to the operator's manual and installation instructions for details.

Due to periodic changes in designs, methods, procedures, policies and regulations, the specifications contained in this sheet are subject to change without notice. While Wells exercises good faith efforts to provide information that is accurate, we are not responsible for errors or omissions in information provided or conclusions reached as a result of using the specifications. By using the information provided, the user assumes all risks in connection with such use.