



Project:
Item Number:
Quantity:

REFRIGERATED BEVERAGE DISPENSERS WITH 2.11 GALLON BOWLS



VBBC1-37-A



VBBC2-37-A



VBBC3-37-A



VBBC4-37-A

ITEMS

Item No.	Description
VBBC1-37-A	One 2.11-Gallon Bowl, Agitator
VBBC2-37-A	Two 2.11-Gallon Bowls, Agitator
VBBC3-37-A	Three 2.11-Gallon Bowls, Agitator
VBBC4-37-A	Four 2.11-Gallon Bowls, Agitator

FEATURES

- Available in 1-4-bowl configurations with 2.11 gallon (8L) bowls.
- Magnetic drive agitator circulation is suitable for most beverages and is recommended for beverages that can foam such as coffee, tea and natural fruit juices.
- Each bowl has its own thermostat to help keep beverages at a consistent temperature and quality.
- Stainless steel cabinet.
- Easily-removable bowls and dispensing handles.
- Stainless steel, drip-free spigot.
- Gravity feed spigot quickly dispenses beverages without mechanical or electrical assistance.
- Easy, worry-free operation. One rocker switch controls power, refrigeration and bowl circulation.
- Clear, polycarbonate bowls are visual merchandisers that allow customers to quickly choose their favorite chilled beverage.
- Spacious ABS plastic drip trays contain errant liquid to help keep countertops clean.
- White Glove Service provides assistance 24 hours a day, seven days a week.

DESCRIPTION

From tea to lemonade to juice, Vollrath® refrigerated beverage dispensers quench the market's thirst for quality, versatility, dependability and efficiency. These countertop dispensers can accommodate any level of operation and are aesthetically pleasing. These machines are not intended for use with beverages that include pieces of fruit, large pulp or seeds because these could block the spigot or mixing motor.

WARRANTY

All models come with a one year warranty for parts and labor, two year parts-only warranty on replacement parts, and five years parts-only warranty on the compressor. For full warranty details, please refer to www.Vollrath.com.

AGENCY LISTINGS



Listed by ETL
 Bras Internationale S.P.A. Juice
 Dispenser - Maestrale Range



Certified by NSF
 Bras Internationale S.P.A. Juice
 Dispenser - Maestrale Range

CLEARANCE AND ENVIRONMENT REQUIREMENTS

- Requires 6" (15 cm) clearance on all sides.
- Ambient temperature: 41° - 86°F (5° - 30° C).
- Indoor use only.

Due to continued product improvement, please consult www.vollrath.com for current product specifications.

Approvals	Date



vollrathfoodservice.com

The Vollrath Company, L.L.C.
 1236 North 18th Street
 Sheboygan, WI 53081-3201 U.S.A.
 Main Tel: 800.624.2051 or 920.457.4851
 Main Fax: 800.752.5620 or 920.459.6573
 Customer Service: 800.628.0830
 Canada Customer Service: 800.695.8560

Technical Service Information

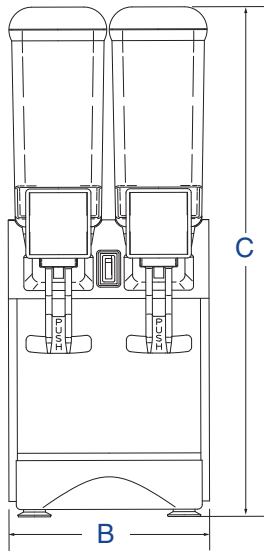


Every machine includes White Glove Service. One call does it all – customer service, technical service, parts or warranty information, installation, startup, sales, on-site service dispatch and much more. Available 24 hours a day, seven days a week year-round.

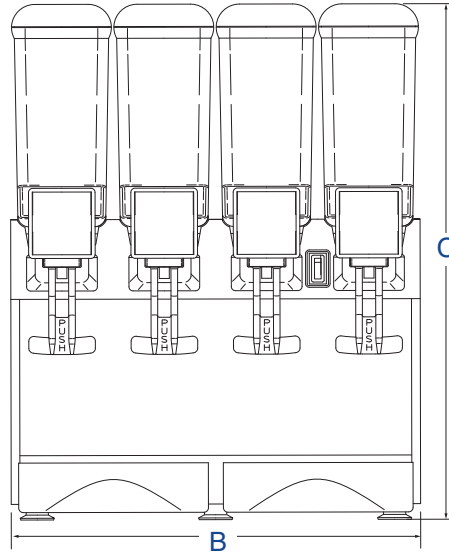
800-319-9549 (U.S. Toll Free)
 920-894-2293 (Outside the U.S.)

REFRIGERATED BEVERAGE DISPENSERS WITH 2.11 GALLON BOWLS

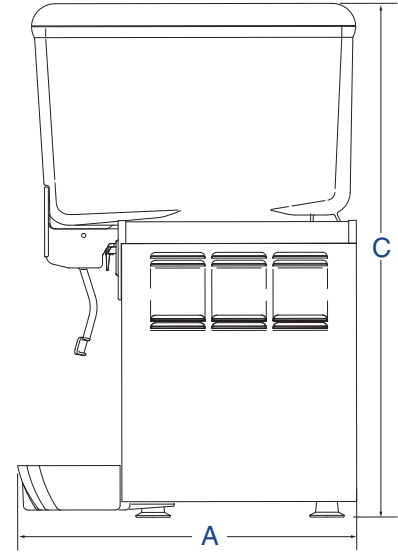
DIMENSIONS (Shown in inches (cm))



Front View



Front View

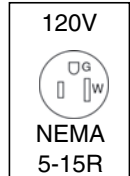


Side View

SPECIFICATIONS

Item No.	Capacity Per Bowl Gal. (L)	Bowl Circulation	No. of Bowls	Dimensions IN (CM)			Comp. BTU/Hr	Refrig.	Volts	Amps	Hz	NEMA Plug	Weight LB (KG)
				(A) Depth	(B) Width	(C) Height							
VBBC1-37-A	2.11 (8)	Agitator	1	15 ¹¹ / ₁₆ (39.9)	7 ¹ / ₈ (18)	24 ⁵ / ₈ (62.5)	1285	R134a	115	2.4	60	5-15P	33.1 (15)
VBBC2-37-A			2		9 ¹ / ₁₆ (24.6)								38.6 (17.5)
VBBC3-37-A			3		14 ¹ / ₂ (36.9)								51.8 (23.5)
VBBC4-37-A			4		19 ³ / ₈ (49.2)								63.9 (29)

Receptacle



vollrathfoodservice.com

The Vollrath Company, L.L.C.
 1236 North 18th Street
 Sheboygan, WI 53081-3201 U.S.A.
 Main Tel: 800.624.2051 or 920.457.4851
 Main Fax: 800.752.5620 or 920.459.6573
 Customer Service: 800.628.0830
 Canada Customer Service: 800.695.8560

Technical Service Information



Every machine includes White Glove Service. One call does it all – customer service, technical service, parts or warranty information, installation, startup, sales, on-site service dispatch and much more. Available 24 hours a day, seven days a week year-round.
 800-319-9549 (U.S. Toll Free)
 920-894-2293 (Outside the U.S.)