

Disher Spring Replacement

These instructions cover the removal and installation of a disher spring.

SPRING REMOVAL

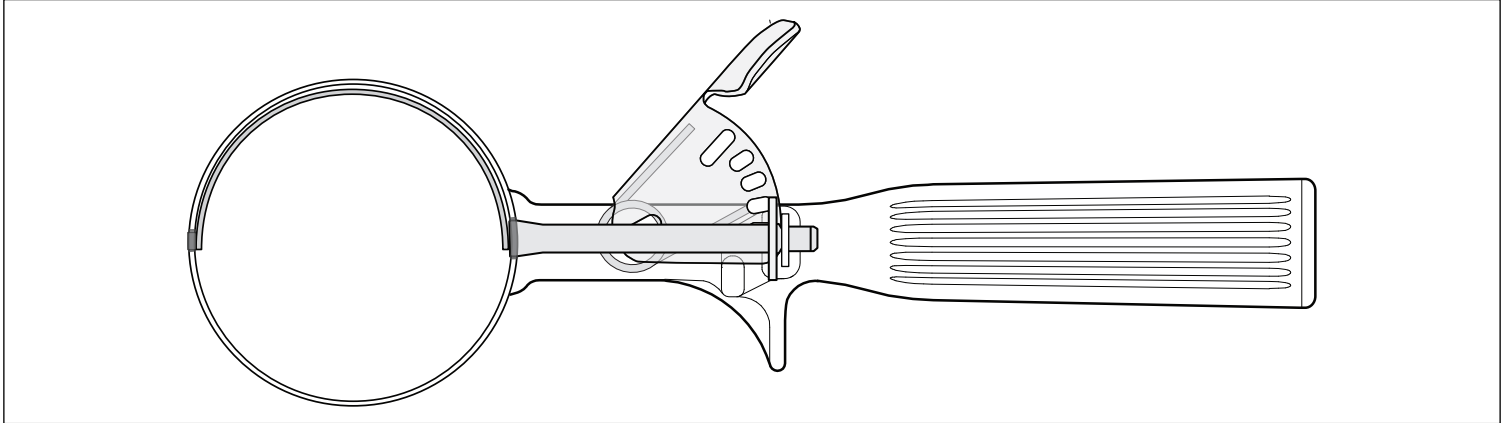


Figure 1. Normal Ready Position

1. Thoroughly clean disher.
2. Push down and hold the gear rack (A). See Figure 2.

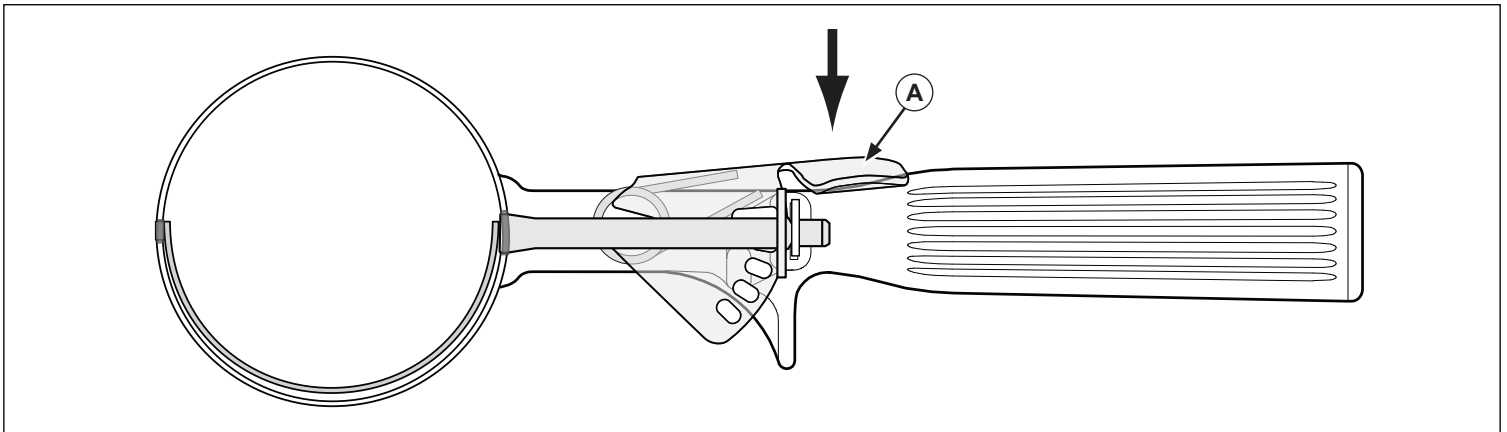


Figure 2. Gear Rack in the Down or In Position.

3. Continue to hold the gear rack (A) down. See Figure 3. Push the end of the blade (B) out of the bowl hole (C).

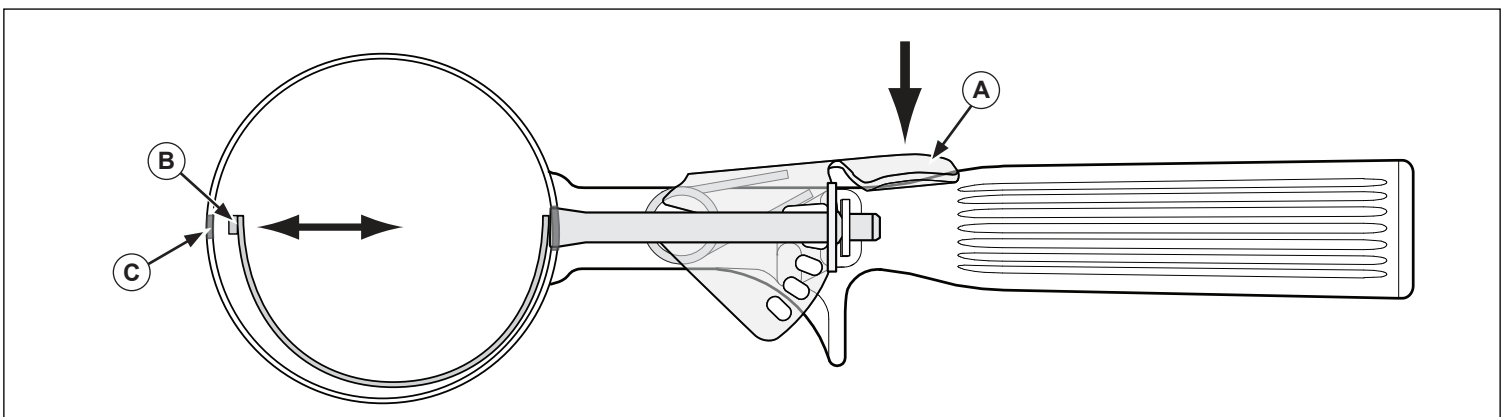


Figure 3. Disher and Bowl Hole



- Continue to hold the gear rack (A) down. See Figure 4. Align the last gear (E) on the blade assembly (D) with the long hole (F). Slide the blade assembly (D) out of pivot bracket hole (G).

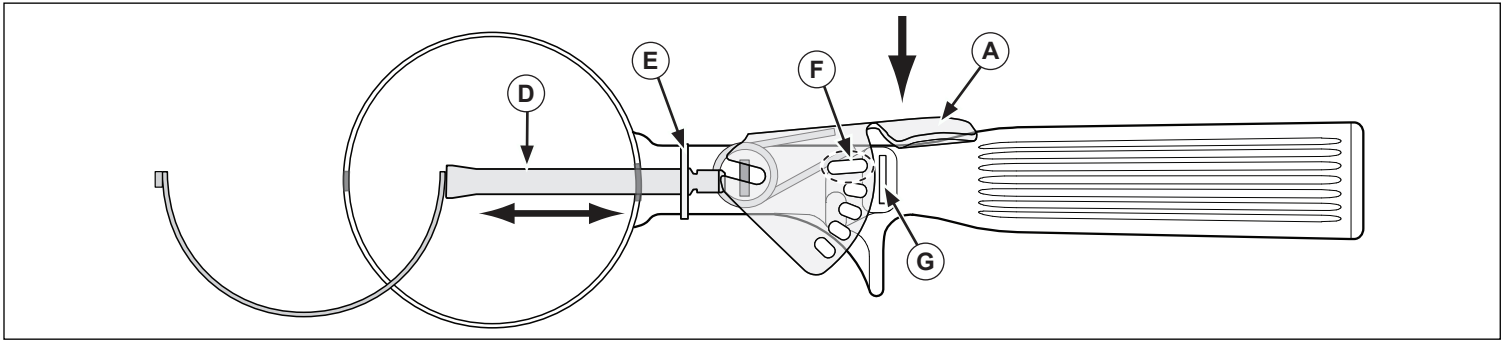


Figure 4. Blade Assembly and Pivot Bracket

- Slowly release the gear rack (A) allowing it to return to the normal ready position. See Figure 5.

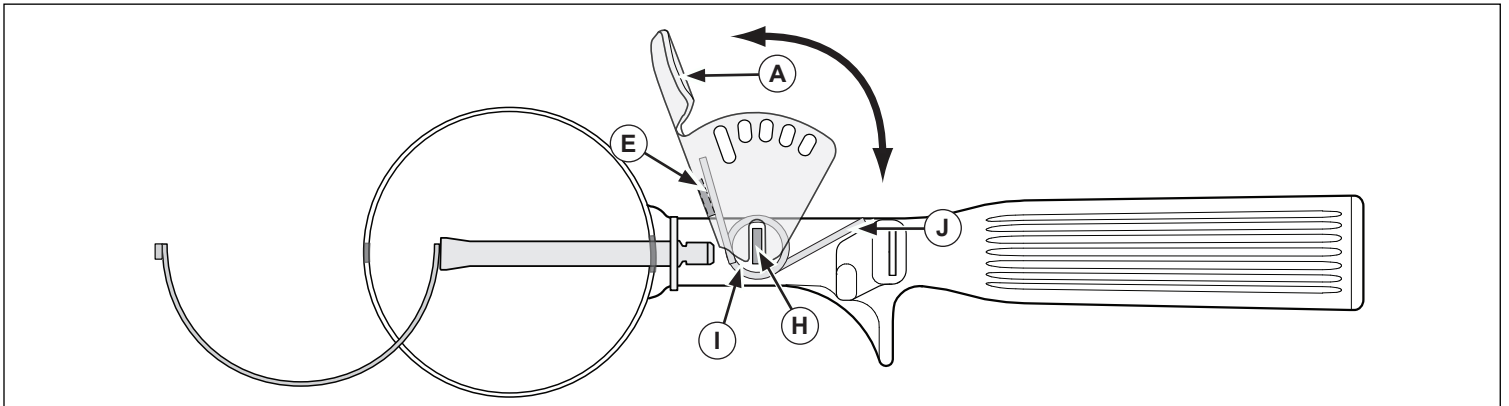


Figure 5. Pivot Rack

- Slide the pivot rack (A) off the post (H). See Figure 6. Remove and discard Spring (I).

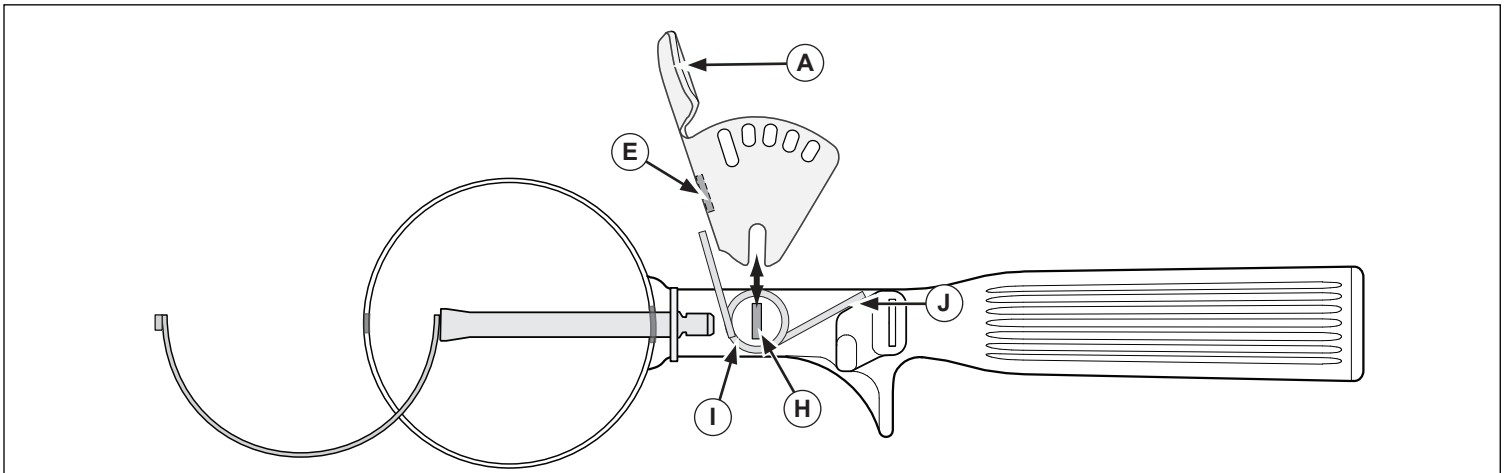


Figure 6. Spring, Spring Stop and Spring Tab

SPRING INSTALLATION

- Place the new spring (I) onto the post (H) setting one arm on the spring stop (J). See Figure 6.
- Slide the pivot rack (A) onto the post (H). See Figure 5. Position spring so that it sets against the spring stop (J) and the spring tab (E) as shown.
- Slowly push down and hold the gear rack (A). See Figure 4. Align the last gear (E) on the blade assembly (D) with the long hole (F). Slide the blade assembly (D) into the pivot bracket hole (G).
- Hold the gear rack (A) down. See Figure 3. Push the end of the blade (B) into the bowl hole (C).
- Slowly release the gear rack (A) it to return to the normal ready position. See Figure 5. Your disher is now ready for use.