

Squeeze Disher Sweep Removal and Installation

For item numbers: 47390, 47370, 47391, 47371, 47392, 47372, 47393, 47373, 47395, 47374, 47394, 47396, 47375, 47397, 47376, 47398, 47377, 47399, 47400, 47378, 47401, 47402, 47379, 47403, 47404, 47388, 47389.

Instructions for removal and installation of a squeeze disher sweep.

SWEEP ASSEMBLY REMOVAL

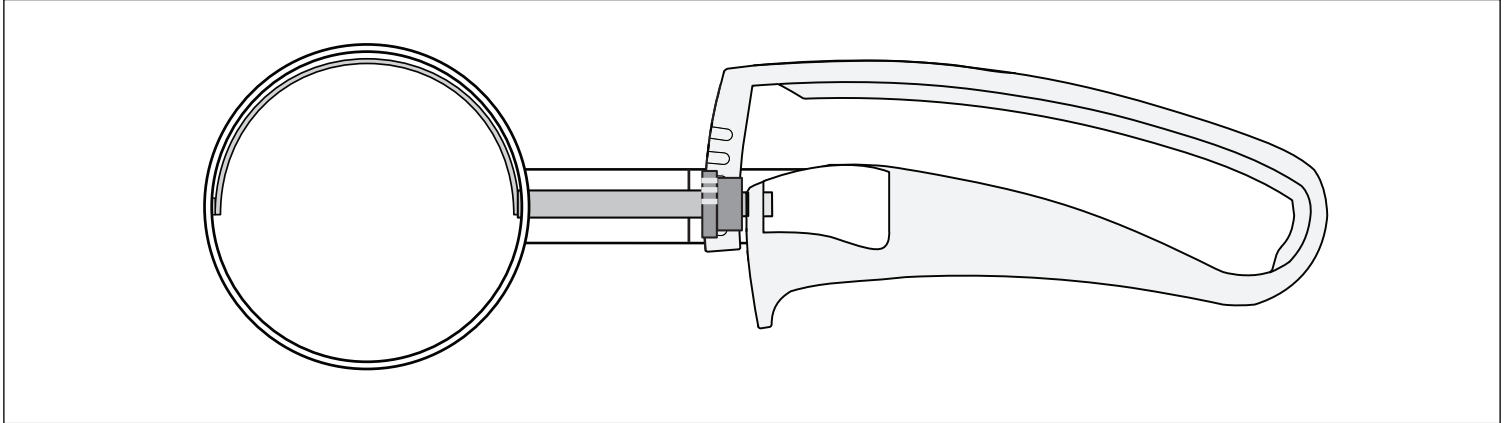


Figure 1. Normal Ready Position

1. Thoroughly clean the disher.
2. Squeeze and hold the handle (A) in the fully compressed position. See Figure 2.

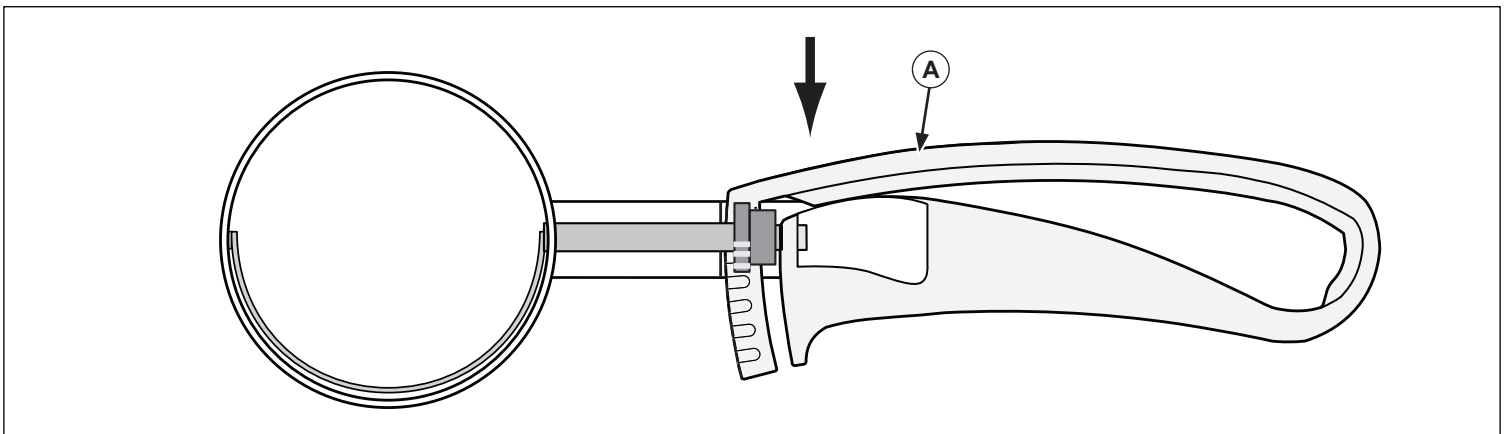


Figure 2. Handle in the Fully Compressed or In Position.

3. Continue to hold the handle (A) down in the fully compressed position. Push the hook end of the sweep (B) through the hole (C) to the inside of the bowl. See Figure 3.

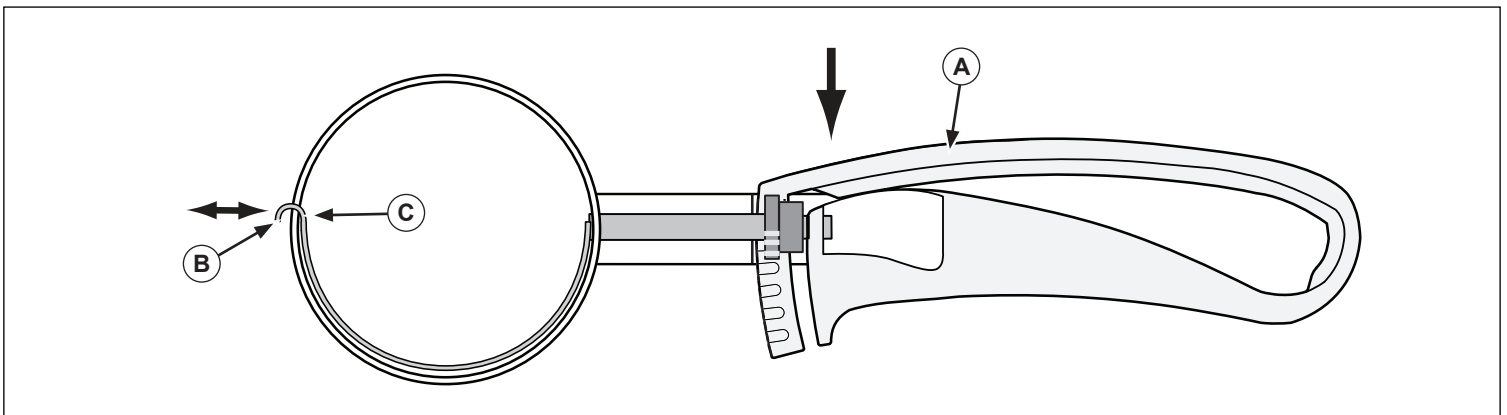


Figure 3. Handle, Sweep Hook and Outside Bowl Hole.

4. Continue to hold the handle (A) in the fully compressed position. Slide the sweep assembly (D) out of the pivot hole (E) until it is clear of the rack (F). See Figure 4.

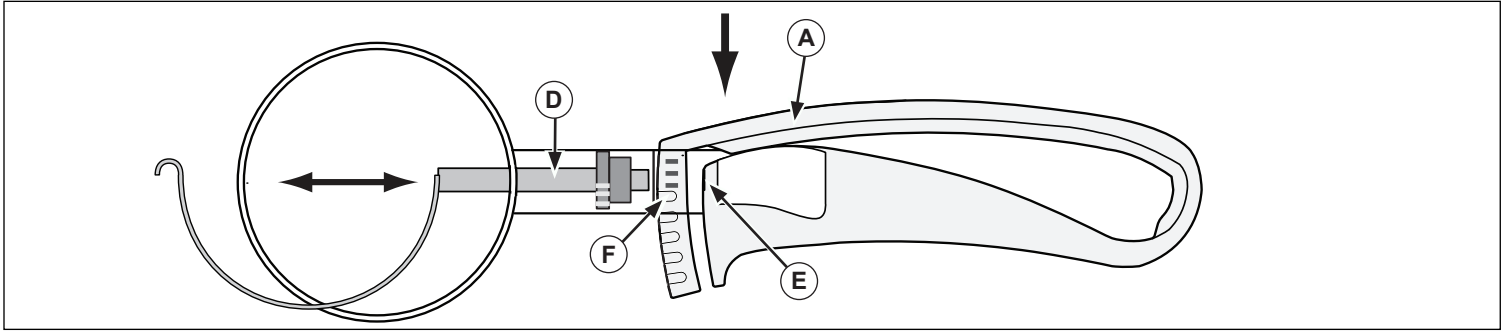


Figure 4. Sweep Assembly, Handle, Pivot Hole and Rack.

5. Slowly release the handle (A) allowing it to return to the normal ready position. Gently slide the sweep assembly (D) through hole (G). It may be necessary to turn or maneuver the sweep assembly (D) in order to get it through hole (G). See Figure 5.

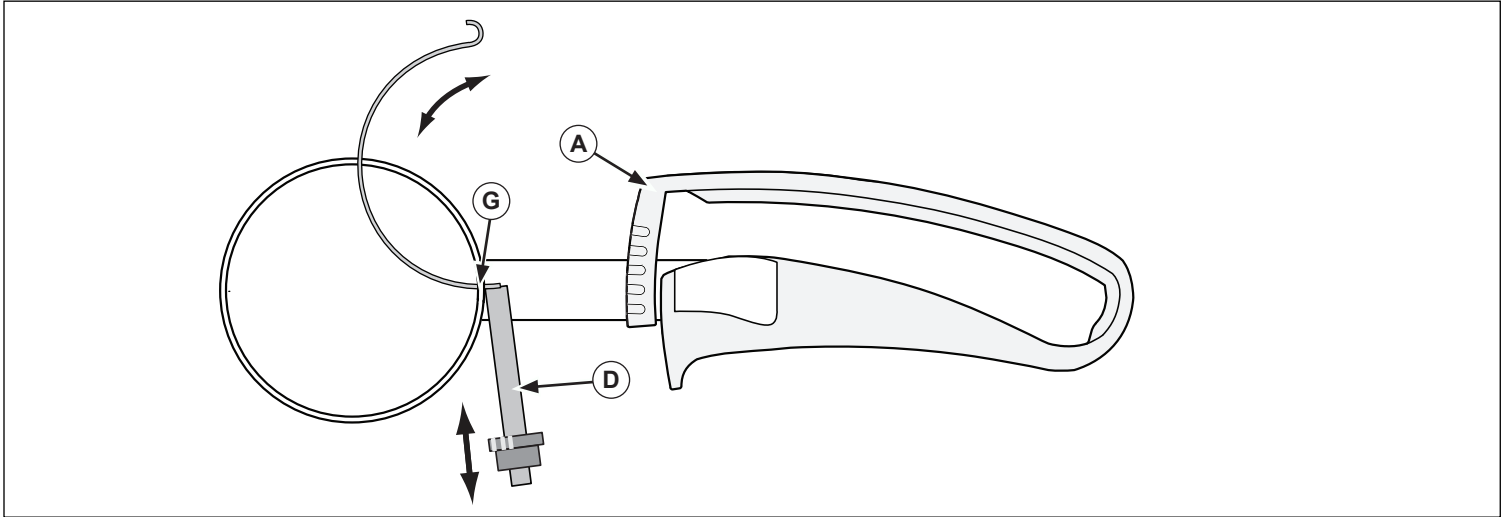


Figure 5. Handle, Sweep Assembly and Inside Bowl Hole.

6. Completely remove the sweep assembly (D) from the hole (G). See Figure 6.

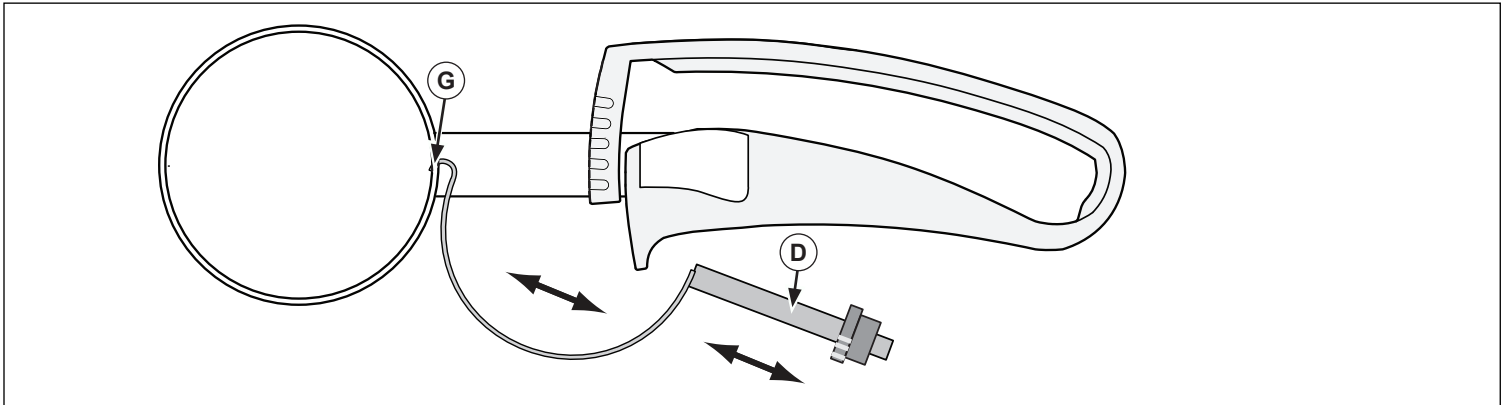


Figure 6. Sweep Assembly and Inside Hole.

SWEEP ASSEMBLY INSTALLATION

7. Place the sweep assembly (D) into the hole (G) as shown. See Figure 6.
8. Slide the sweep assembly (D) through the hole (G). It may be necessary to turn or maneuver the sweep assembly (D) in order to get through hole (G). See Figure 5.
9. Slowly push down and hold the handle (A) and hold in the fully compressed position. Align the last gear on the sweep assembly (D) with the last hole on rack (F). Slide the sweep assembly (D) into the pivot hole (E). See Figure 4.
10. Hold the handle (A) down. Push the hook end of the sweep assembly (D) into the hole (C). See Figure 3.
11. Slowly release the handle (A) to return to the normal ready position. See Figure 2.
12. Clean your disher and it is ready for use.



www.vollrathco.com

The Vollrath Company, L.L.C.
1236 North 18th Street
Sheboygan, WI 53081-3201
U.S.A.
Main Tel: 920.457.4851
Fax: 800.752.5620

Technical Services: 800.628.0832
Service Fax: 920.459.5462
Canada Service: 800.695.8560

© 2013 The Vollrath Company, L.L.C.