



Project:
Item Number:
Quantity:

INSTACUT™ 5.1 MANUAL FOOD PROCESSOR



Cleaning tool

DESCRIPTION

Vollrath's InstaCut 5.1 boasts new features and improvements that step up the performance, reliability and ease of use of this go-to manual food processor. Slice, dice, wedge and core all in one device. Pop-in, pop-out blade assemblies make it easy and efficient to switch operations.

The InstaCut™ 5.1 Manual Food Processor is ideal for dicing and slicing, onions, tomatoes and peppers; and wedging and coring apples, celery, lemons, limes, onions, oranges, pears, peppers, tomatoes.

WARRANTY

2 year parts and service warranty. Does not cover the blades. See Vollrath.com for details.

AGENCY LISTINGS



Due to continued product improvement, please consult www.vollrath.com for current product specifications.

ITEMS

Item No.	Description	Item No.	Description
55457	¼" Dice	55463	4 Section Wedge
55458	⅜" Dice	55464	6 Section Wedge
55459	½" Dice	55465	8 Section Wedge
55460	¼" Slice	55466	10 Section Wedge
55461	⅜" Slice	55467	12 Section Wedge
55462	½" Slice	55468	6 Section Core
		55469	8 Section Core

FEATURES

- Stainless steel serrated blades cleanly cut a wide variety of fruits and vegetables to reduce bruising and waste, and improve food presentation
- Serrated blades require up to 50% less force to operate
- Captive fasteners stay put so they won't get lost or misplaced
- Three times faster than cutting by hand
- Blade frames will not corrode
- Pop-in / pop-out blade assemblies are too easy to clean
- Dicer and slicer processors include a cleaning tool that conveniently stows in the pusher block assembly
- Cast aluminum sled-leg base design is light weight and strong
- Base fits over third and sixth size pans up to 6" (15.2 cm) deep
- Rubber feet help keep the equipment in place
- Maximum size of the food product:
 - Slicing and Dicing: 5" (12.7 cm).
 - Wedging and coring: 3½" (8.9 cm)

ADDITIONAL COMPONENTS

- 59924 Cleaning Comb

Blade Pack

- 55470 ¼" (6.4) Dice
- 55471 ⅜" (9.5) Dice
- 55472 ½" (12.7) Dice
- 55473 ¼" (6.4) Slice
- 55474 ⅜" (9.5) Slice
- 55475 ½" (12.7) Slice
- 55476 4 Section Wedge
- 55477 6 Section Wedge
- 55478 8 Section Wedge
- 55479 10 Section Wedge
- 55480 12 Section Wedge
- 55481 6 Section Core
- 55482 8 Section Core

Kit (T-handle, blade pack, cleaning comb, replacement bumpers)

- 55483 ¼" (6.4) Dice
- 55484 ⅜" (9.5) Dice
- 55485 ½" (12.7) Dice
- 55486 ¼" (6.4) Slice
- 55487 ⅜" (9.5) Slice
- 55488 ½" (12.7) Slice
- 55489 4 Section Wedge
- 55490 6 Section Wedge
- 55491 8 Section Wedge
- 55492 10 Section Wedge
- 55493 12 Section Wedge
- 55494 6 Section Core
- 55495 8 Section Core

Approvals	Date



www.vollrath.com

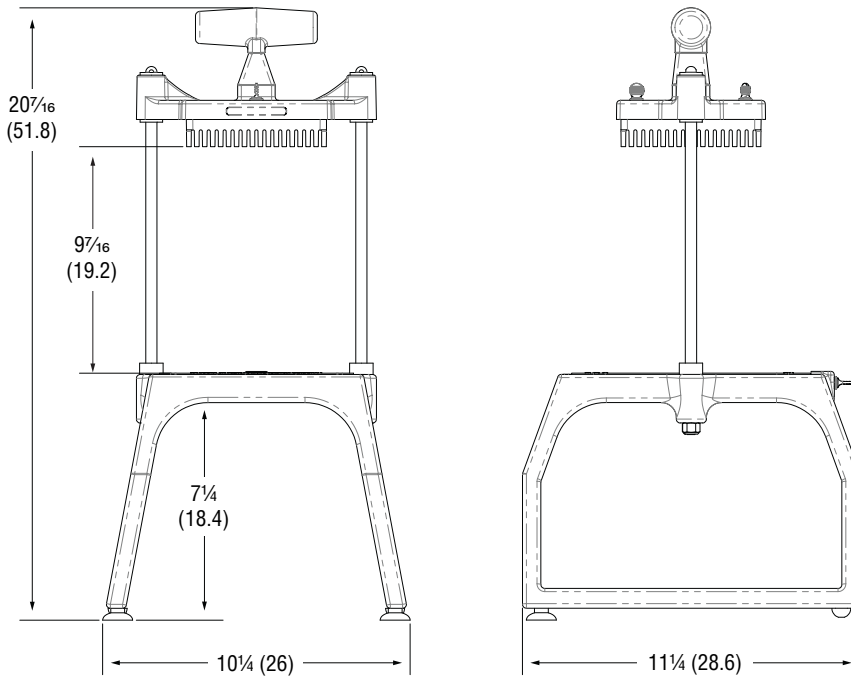
The Vollrath Company, L.L.C.
 1236 North 18th Street
 Sheboygan, WI 53081-3201 U.S.A.
 Main Tel: 800.624.2051 or 920.457.4851
 Main Fax: 800.752.5620 or 920.459.6573
 Customer Service: 800.628.0830
 Canada Customer Service: 800.695.8560

Technical Services
techservicereps@vollrathco.com
 Induction Products: 800.825.6036
 Countertop Warming Products: 800.354.1970
 All Other Products: 800.628.0832

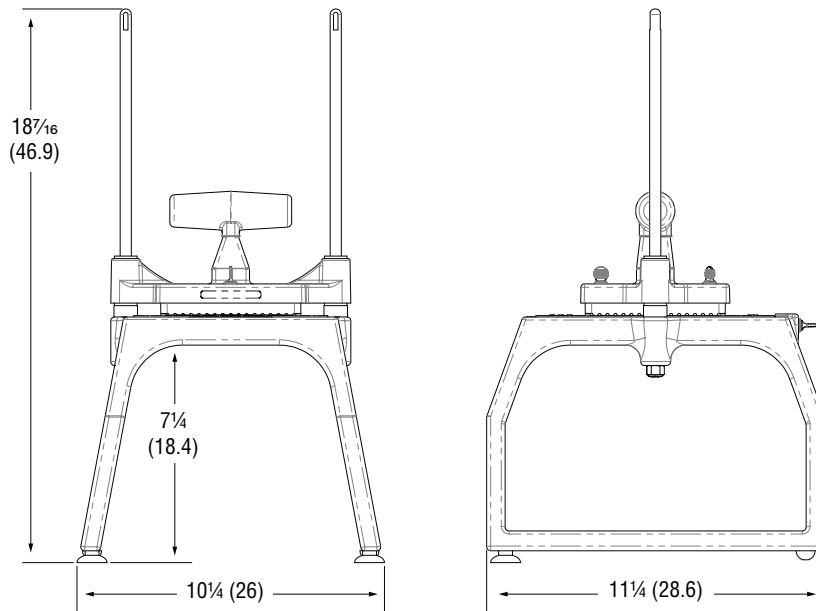
INSTACUT™ 5.1 MANUAL FOOD PROCESSOR

DIMENSIONS (Shown in inches (cm))

Open



Closed



The Vollrath Company, L.L.C.

1236 North 18th Street
 Sheboygan, WI 53081-3201 U.S.A.
 Main Tel: 800.624.2051 or 920.457.4851
 Main Fax: 800.752.5620 or 920.459.6573
 Customer Service: 800.628.0830
 Canada Customer Service: 800.695.8560

Technical Services
techservicereps@vollrathco.com
 Induction Products: 800.825.6036
 Countertop Warming Products: 800.354.1970
 All Other Products: 800.628.0832