

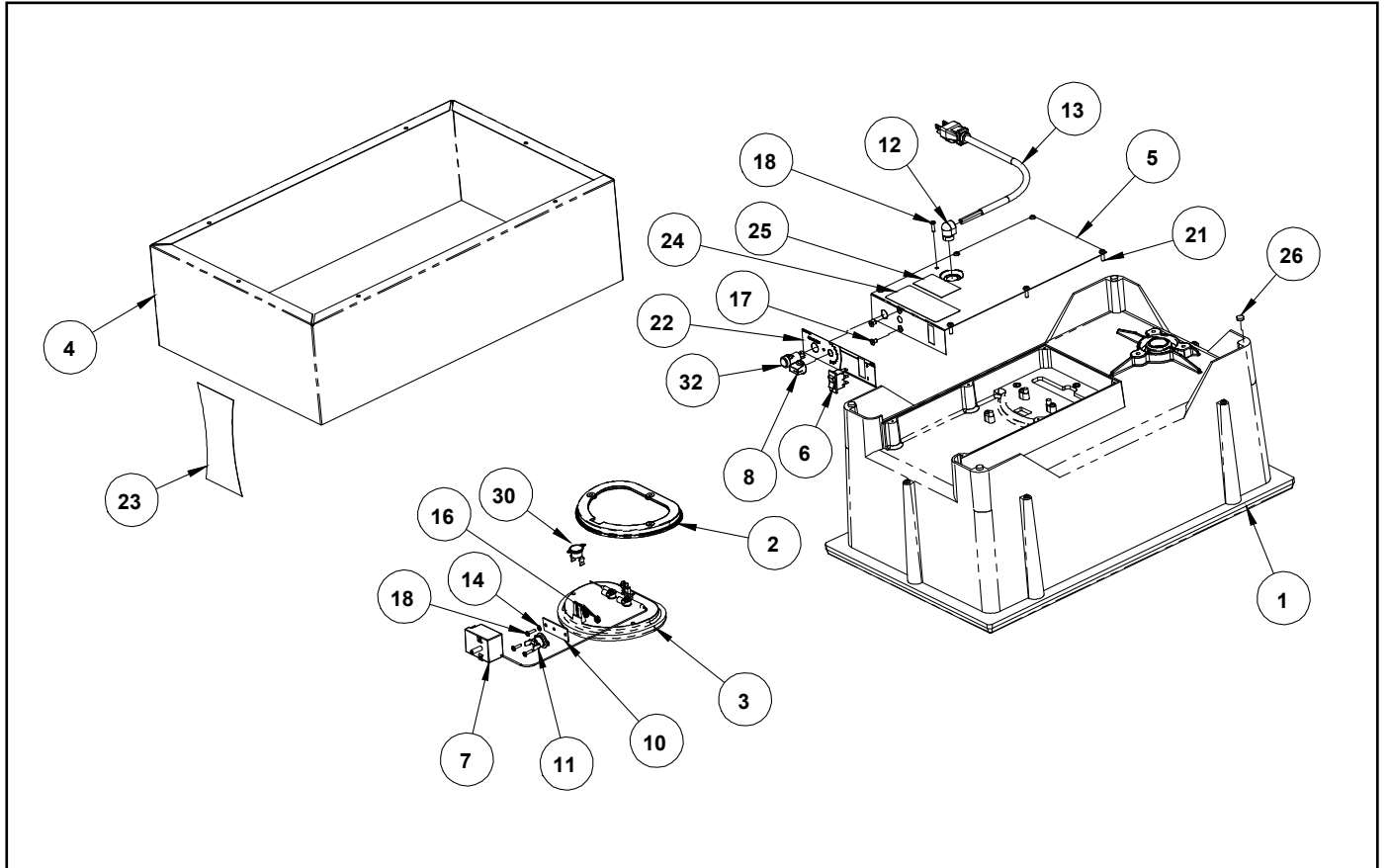
Spare Parts List

Item Number ~ 72023, 72020

| Callout | Part Number | Description |
|---------|-------------|------------------------------|
| 1 | 17256-3 | WELL |
| 2 | 17418-1 | "D" SHAPED HEATER GASKET |
| 3 | 17020-3 | HEATER D-SHAPED, 120V,1000W |
| 3 | | HEATER D-SHAPED, 120V,1440W |
| 4 | 17010-3 | HOUSING (SATIN CHROME) |
| 5 | 23685-3 | PANEL, CONTROL |
| 6 | 17019-3 | SWITCH, ROCKER, LIGHTED,120V |
| 7 | 17014-3 | THERMOSTAT, SHORT CAPILLARY |
| 8 | | KNOB, CONTROL |
| 9 | 17421-1 | |
| 10 | | HI LIMIT PLATE |
| 11 | 17015-1 | THERMOSTAT, HIGH LIMIT |
| 12 | 17117-3 | STRAIN RELIEF |
| 13 | 17023-1 | CORD, POWER, 120V, 5-15P |
| 14 | 25181-3 | #6 WASHER, INTERNAL STAR |
| 16 | 17019-3 | #6-32 KEPS NUT |
| 17 | 17256-3 | SCREW, 4MM x 7MM SCREW |
| 18 | 17020-1 | SCREW, #6-32 x 1/2" |
| 21 | 17018-3 | SCREW, 8-32 x 1/2" |
| 22 | 17418-1 | LABEL, CONTROL |
| 23 | 17485-1 | LABEL, PRODUCT |
| 24 | 17419-1 | LABEL, RATING |
| 25 | 17346-1 | REThERM INFORMATION DECAL |
| 26 | 17015-1 | FEET |
| 30 | 25438-1 | LOW WATER SENSOR SWITCH |
| 32 | 1755901-1 | LIGHT, BLUE, 120V |

Exploded View

Item Number ~ 72023, 72020



Spare Parts List

Item Number ~ 72630, 72550

| Callout | Part Number | Description |
|---------|-------------|---|
| 1 | 44640-2 | HOUSING |
| 2 | 44613-2 | CONTROL PANEL |
| 3 | 23471-1 | Switch, Lighted, 220 - 230V |
| 4 | 17074-1 | THERMOSTAT |
| 5 | 17012-1 | CONTROL KNOB |
| 6 | 17741-3 | LOOP CLAMP |
| 7 | 44459-2 | BRACKET, HIGH LIMIT SWITCH |
| 8 | 17504-1 | HIGH LIMIT SWITCH |
| 9 | 17528-1 | WELL |
| 10 | 17868-1 | O-RING, ELEMENT |
| 11 | 44271 -1 | Heating Element, 220 - 230V ~ 1000 Watt |
| 12 | 17024-3 | STRAIN RELIEF |
| 13 | 17249-1 | POWER CORD, Shuko, (Model 72630) |
| 13 | 17023-1 | POWER CORD, UK, (Model 72550) |
| 14 | 17256-3 | SCREW, 4mm x 7mm |
| 15 | 17418-1 | LABEL, CONTROL KNOB |
| 16 | 17020-3 | SCREW, #6-32 x 1/2" |
| 17 | | WASHER, LOCK, #10 INTERNAL TOOTH |
| 18 | 17010-3 | SCREW, #8-32 x 1" |
| 19 | 23685-3 | LOCKNUT, #8-32 |
| 20 | 17019-3 | NUT, #6-32 KEPS |
| 21 | 17014-3 | SCREW, #10-24 x 1/2" |
| 22 | | SCREW, #8-32 x 1/2" |
| 23 | 17421-1 | LABEL - PRODUCT |
| 24 | | |
| 25 | 17015-1 | FOOT |
| 26 | 17117-3 | SCREW, #10-24 x 1/4" |

Exploded View

Item Number ~ 72630, 72550

