



Outperform every day.™

Project:

Item Number:

Quantity:

Contoured Carving Station

The Vollrath Company, L.L.C.

## CONTOURED CARVING STATION



Contoured Carving Station

### MODELS

46670 Carving Station (US/Canada)

### FEATURES

- Heavy-duty contoured chrome-finished steel frame.
- Solid surface base.
- Knife-friendly, NSF listed cutting board sits securely in the base, and lifts out for easy cleanup. Dishwasher safe. Cutting boards also sold separately, item No. 25154.
- Recessed base channels liquids into drip pan. Drip pan is removable for easy cleaning.
- Includes NSF listed Super Pan V<sup>®</sup> fourth-size drip pan.
- Dual 250 watt shatter proof clear heat lamp bulbs. Also sold separately, item number 72242.
- Spun aluminum lamp shades dissipate heat.
- Tempered glass breath guard.
- On/off lighted switch on base.
- Rubber feet provide stability and protect tabletop.
- 6 ft. (1.83 m) cord with plug.

### DESCRIPTION

Add personalized meat carving or other slicing options to your serving line or buffet with Vollrath's patented Contoured Carving Station. The angled dual lamps supply heat to keep the food warm while serving. The tabletop design is highly functional, easy to transport and fits into any serving setup. Classic styling complements any decor.

**WARRANTY:** All models shown come with Vollrath's standard warranty against defects in materials and workmanship. For full warranty details, please refer to the Vollrath Equipment and Smallwares Catalog.

### Agency Listings



Due to continued product improvement, please consult [www.vollrath.com](http://www.vollrath.com) for current product specifications.

Approvals

Date



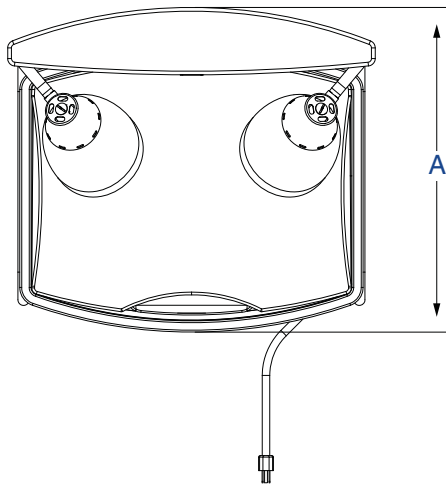
Outperform every day.™  
[www.vollrath.com](http://www.vollrath.com)

The Vollrath Company, L.L.C.  
1236 North 18th Street  
Sheboygan, WI 53081-3201 U.S.A.  
Customer Service: 800.628.0830  
Canada Customer Service: 800.695.8560  
Main Fax: 800.752.5620 or 920.459.6573

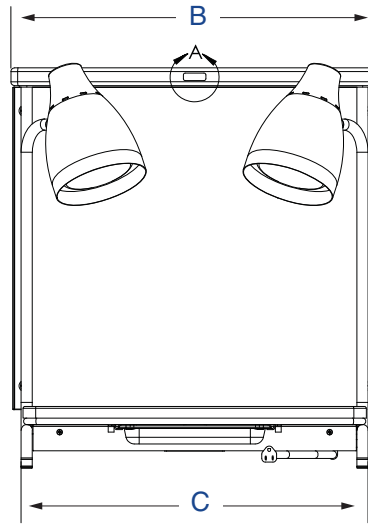
Technical Services: 800.628.0832  
Technical Services Fax: 920.459.5462

# CONTOURED CARVING STATION

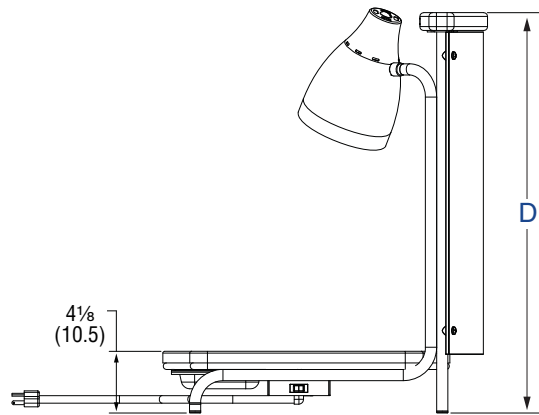
## DIMENSIONS (inches (cm))



Top View



Side View

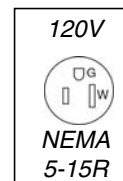


Front View

## SPECIFICATIONS

Item	Dimensions				Voltage	Max Watts	Amps	Plug	Shipping Weight LB (KG)
	(A) Depth	(B) Overall Width	(C) Base Width	(D) Height					
46670	21 <sup>5</sup> / <sub>8</sub> (54.9)	24 <sup>1</sup> / <sub>2</sub> (62.2)	23 <sup>1</sup> / <sub>8</sub> (58.7)	26 <sup>1</sup> / <sub>16</sub> (67.8)	120V	500	4.2	NEMA 5-15P	84 (38.1)

### Receptacles



Outperform every day.™

[www.vollrath.com](http://www.vollrath.com)

The Vollrath Company, L.L.C.  
 1236 North 18th Street  
 Sheboygan, WI 53081-3201 U.S.A.  
 Customer Service: 800.628.0830  
 Canada Customer Service: 800.695.8560  
 Main Fax: 800.752.5620 or 920.459.6573

Technical Services: 800.628.0832  
 Technical Services Fax: 920.459.5462