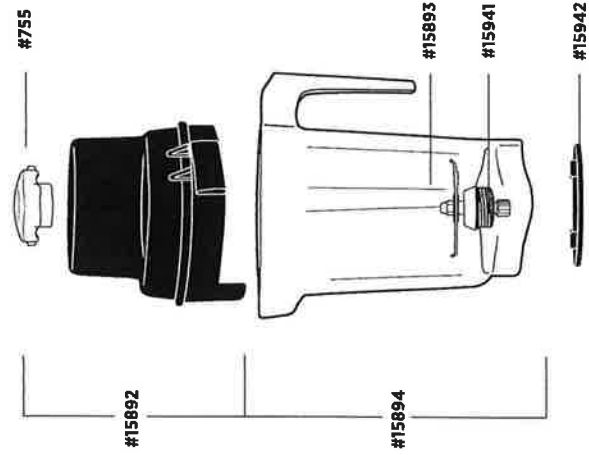
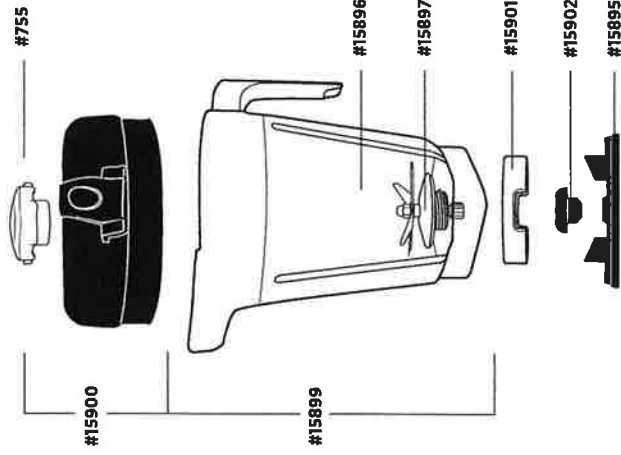


PARTS LIST

Vitamix XL®

- #15900 Lid and plug for 1.5 gal. / 5.6 L container
- #15899 1.5 gal. / 5.6 L container, blade assembly and lid assembly
- #15896 1.5 gal. / 5.6 L container only
- #15897 Vitamix XL® blade agitator assembly for 1.5 gal. / 5.6 L container
- #15901 Retainer nut for 1.5 gal. / 5.6 L container
- #15892 Accelerator tool lid and plug for 64 oz. / 2.0 L Advance® container
- #15894 64 oz. / 2.0 L Advance® container, blade assembly and accelerator tool lid assembly
- #15893 64 oz. / 2.0 L container only
- #15941 Vitamix XL® blade agitator assembly for Advance® container
- #15942 Retainer nut for Advance® container (for Vitamix XL® only)
- #15902 Drive socket
- #15895 Vitamix XL® centering pad
- #755 Lid plug for 1.5 gal. / 5.6 L container and Advance® container
- #760 Accelerator tool
- #102035 Accelerator tool (for machines with the safety interlock only)



IMPORTANT NOTES!

- Outside the U.S.A. and Canada, your machine may come with a different container configuration. Contact your local Vitamix Distributor for item numbers.
- Other than the drive socket, blade assembly and retainer nut, this unit is not user serviceable.