



**BEVERAGE-AIR**

Project: \_\_\_\_\_

AIA#

Item: \_\_\_\_\_

Location: \_\_\_\_\_

SIS#

Approved: \_\_\_\_\_

**UCR UNDERCOUNTER**

UCR48AHC Undercounter Refrigerator  
Hydrocarbon Series

**MODELS:  
UCR48AHC**

**3 Year Parts/Labor Warranty  
Additional 2 Year Compressor Warranty**

**CABINET CONSTRUCTION**



**UCR48AHC**

- Stainless steel front, sides, top, doors, (*galvanized steel back & bottom*)
- Interior liner is made of corrosion resistant aluminum
- Full electronic control
- Undercounter feature a 1/2" thick sub-top
- Interior thermometer is standard
- Self-closing doors with 120° stay-open feature, on cartridge style hinges
- Easy door removal for service and cleaning
- Magnetic gasket attached to each door for positive seal
- Painted aluminum door handles
- 6" Casters, 2 with brakes standard
- Four (4) epoxy-coated steel wire shelves standard
- Field reversible doors
- Maintains product temperature between 36°F and 38°F

**OPTIONS & ACCESSORIES**

- Stainless steel back and grille
- Stainless steel interior
- Right or left hinged door
- Locks (solid doors only)
- Bun rack
- Wire shelf divider
- 3" Casters or 6" legs
- Low profile casters
- Remote option

**REFRIGERATION SYSTEM**

- Refrigeration system uses R290 refrigerant to comply with all environmental concerns
- Automatic, non-electric defrost
- Epoxy coated evaporator coil

**UCR48AHC Undercounter Refrigerator: Food Prep Series**



3779 Champion Blvd., Winston-Salem, NC 27105  
1-888-845-9800 Fax: 1-336-245-6453  
Beverage-Air.com sales@bevair.com



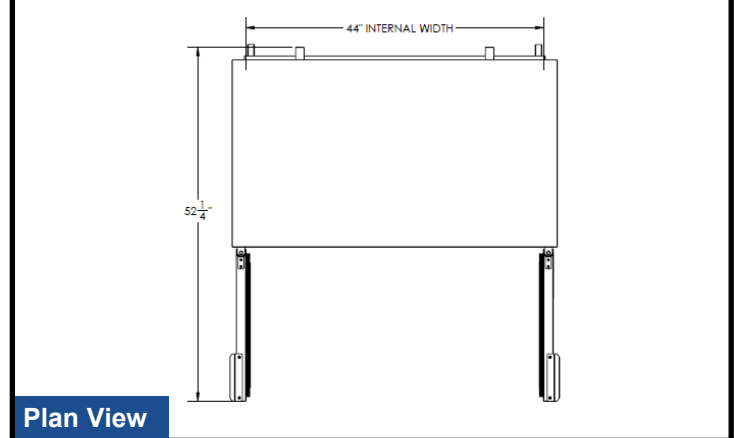
# BEVERAGE-AIR

## Undercounter Refrigerators

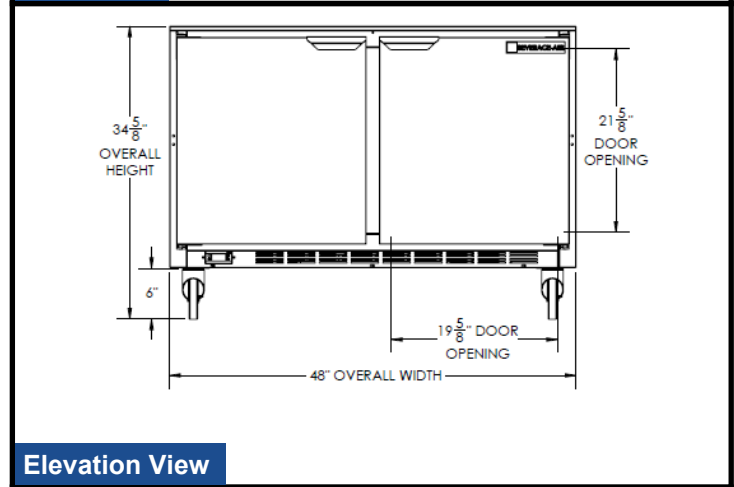
Models: UCR48AHC

MODEL	UCR48AHC
<b>EXTERNAL DIMENSIONAL DATA</b>	
Width Overall	48"
Depth Overall	32"
Height Overall with 6" casters	34 5/8"
Number of Doors	2
Depth with Door Open 90°	52 1/4"
Door Opening (in)	19 5/8" x 21 5/8"
<b>INTERNAL DIMENSIONAL DATA</b>	
NET Capacity (cubic ft.)	11.82
Internal Width Overall (in)	44"
Internal Depth Overall (in)	23 1/2"
Internal Depth Useable (in)	Upper 18 1/2" Lower 15 3/8"
Internal Height Overall (in)	23"
Internal Height Useable (in)	16"
Number of Shelves	4
<b>ELECTRICAL DATA</b>	
Full Load Amperes 115/60/1	2.2
<b>REFRIGERATION DATA</b>	
Horsepower	1/6
Capacity (BTU/Hr)*	1094
<b>WEIGHT DATA</b>	
Gross Weight (Crated lbs)	252 lbs
Height - Crated	36"
Width - Crated	51"
Depth - Crated	32"

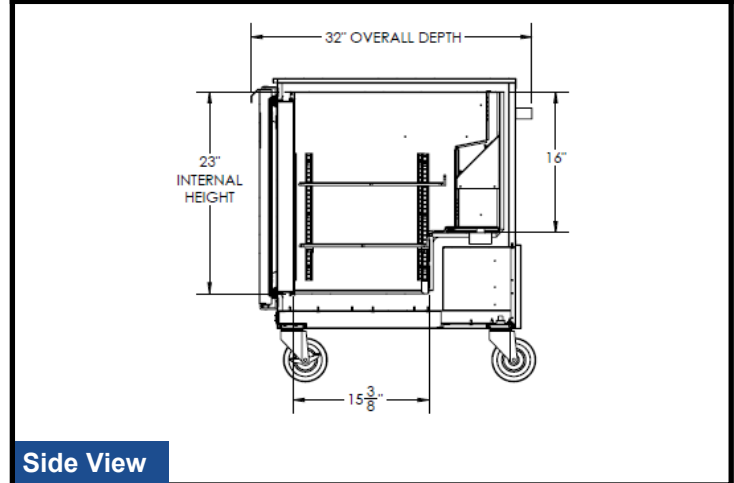
### Model Views



Plan View



Elevation View



Side View

### ELECTRICAL CONNECTION



115/60/1  
NEMA-5-15P

Units pre-wired at factory and include 8' long cord and plug set.



an Ali Group Company



The Spirit of Excellence

Rev. 10/18

3779 Champion Blvd., Winston-Salem, NC 27105  
1-888-845-9800 Fax: 1-336-245-6453  
Beverage-Air.com sales@bevair.com