



T&S BRASS AND BRONZE WORKS, INC.
 2 Saddleback Cove / P.O. Box 1088
 Travelers Rest, SC 29690

Model No.
B-0665-BSTR

Item No.

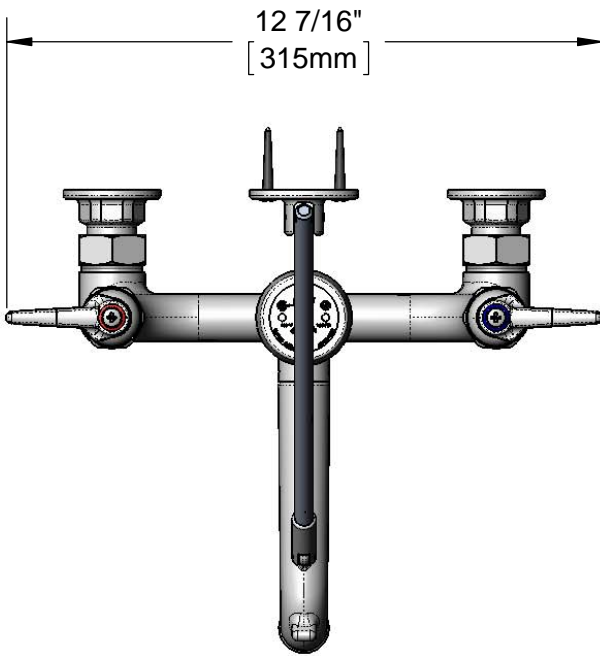
Travelers Rest, SC: 800-476-4103 • Simi Valley, CA: 800-423-0150 • Fax: 864-834-3518 • www.tsbrass.com



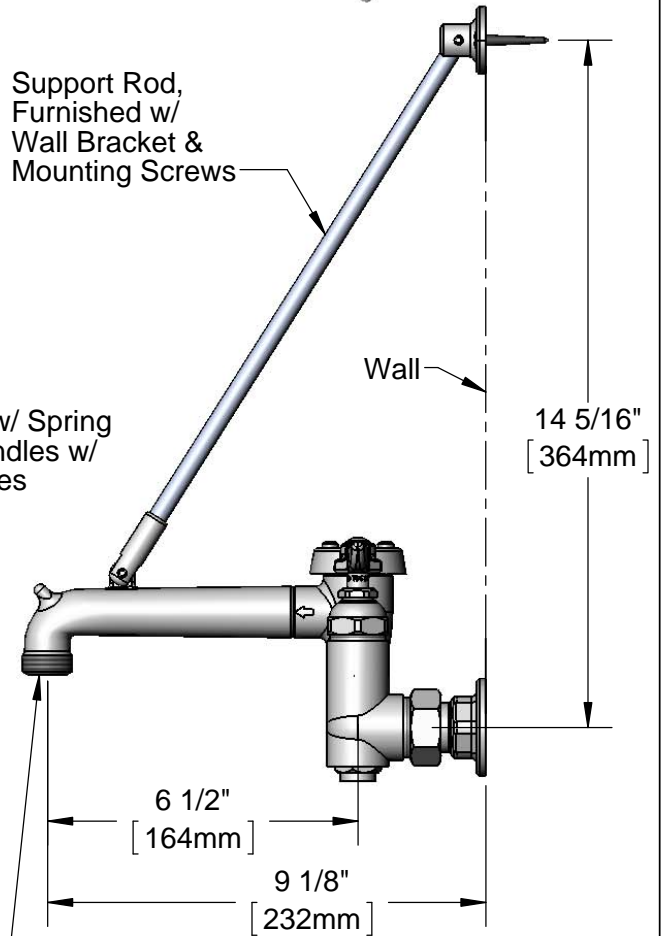
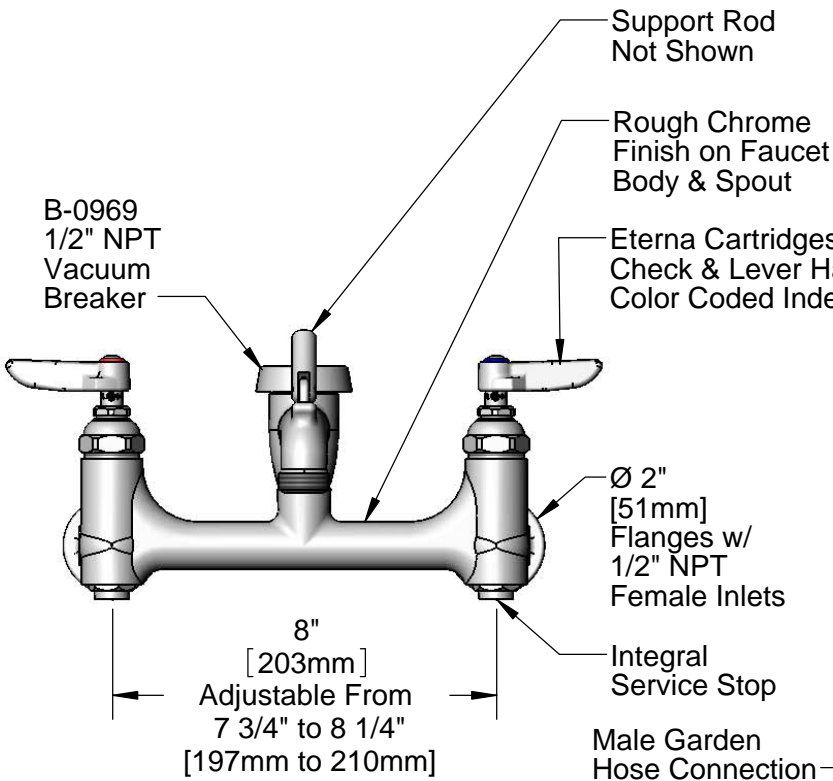
ADA Compliant

This Space for Architect/Engineer Approval

Job Name _____ Date _____
 Model Specified _____ Quantity _____
 Customer/Wholesaler _____
 Contractor _____
 Architect/Engineer _____



Support Rod,
 Furnished w/
 Wall Bracket &
 Mounting Screws



Product Specifications:
 Service Sink, Inlet Stops, Eterna Cartridges w/ Spring Check,
 Lever Handles, Rough Chrome

Drawn KJG	Checked DHL	Approved JHB
---------------------	-----------------------	------------------------

Scale: 1:4	Date: 05/30/12
----------------------	--------------------------



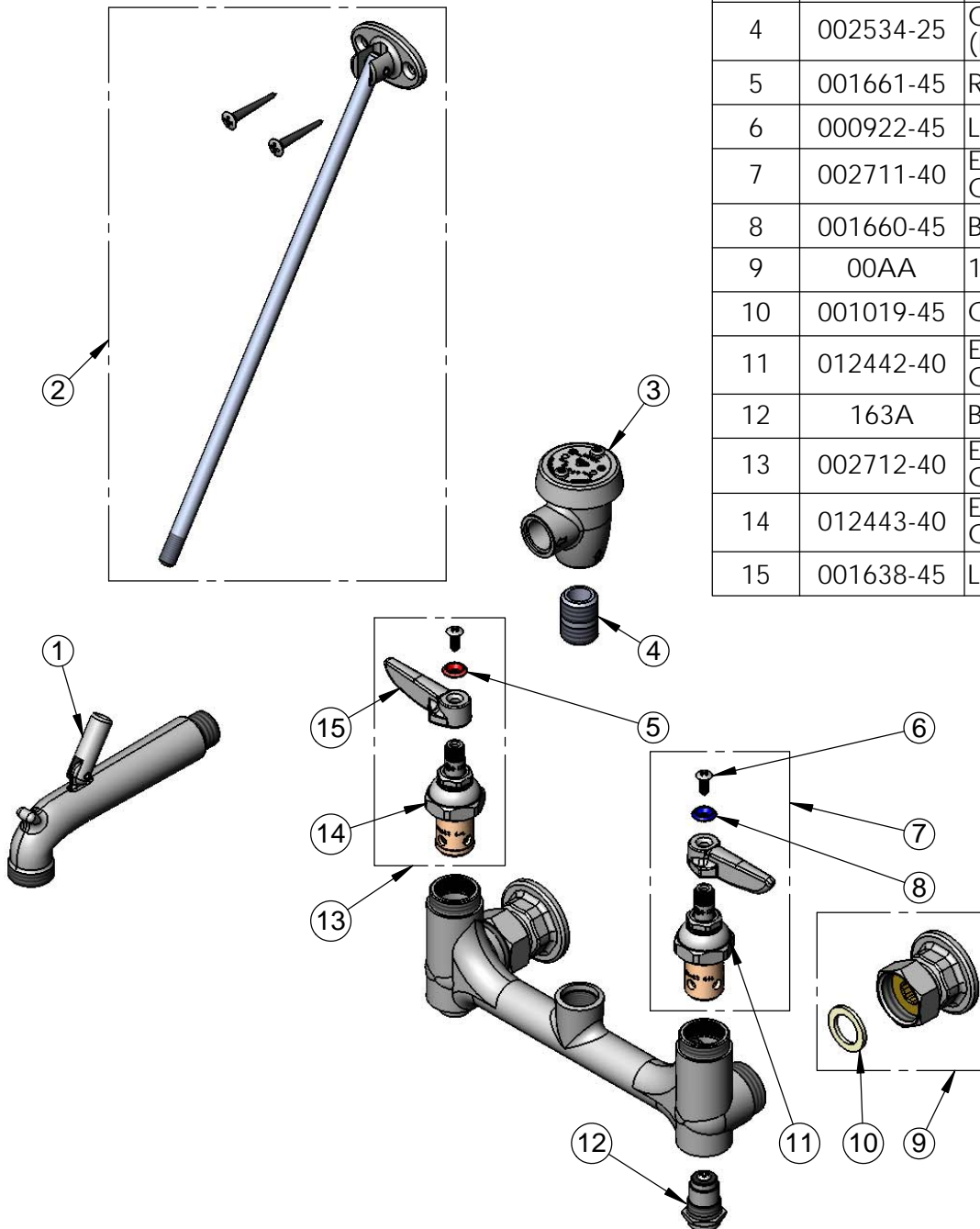
T&S BRASS AND BRONZE WORKS, INC.
 2 Saddleback Cove / P.O. Box 1088
 Travelers Rest, SC 29690

Model No.
B-0665-BSTR

Item No.

Travelers Rest, SC: 800-476-4103 • Simi Valley, CA: 800-423-0150 • Fax: 864-834-3518 • www.tsbrass.com

ITEM NO.	SALES NO.	DESCRIPTION
1	009545-40	Spout Asm Rough Chrome w/ Support Clevis
2	009546-40	Suprt Rod B-0665 - Polish Chrome w/ Mounting Screws
3	B-0969	1/2" NPT Vacuum Breaker
4	002534-25	Close Nipple, 1/2" NPT (Rough Chrome)
5	001661-45	Red Index-HW
6	000922-45	Lever Handle Screw
7	002711-40	Eterna Cartridge LTC w/ Spring Check, Handle, Index & Screw
8	001660-45	Blue Index-CW
9	00AA	1/2" NPT Female Flange Asm
10	001019-45	Coupling Nut Washer
11	012442-40	Eterna Cartridge, LTC w/ Spring Check
12	163A	BST Assembly, 163A
13	002712-40	Eterna Cartridge RTC w/ Spring Check, Handle, Index & Screw
14	012443-40	Eterna Cartridge, RTC w/ Spring Check
15	001638-45	Lever Handle



Product Specifications:
 Service Sink, Inlet Stops, Eterna Cartridges w/ Spring Check,
 Lever Handles, Rough Chrome

Drawn KJG	Checked DHL	Approved JHB
---------------------	-----------------------	------------------------

Scale: NTS	Date: 05/30/12
----------------------	--------------------------