



T&S BRASS AND BRONZE WORKS, INC.

2 Saddleback Cove / P.O. Box 1088
Travelers Rest, SC 29690



REG. #A2601
ISO #9001

Model No.

B-0068-H

Item No.

Travelers Rest, SC: 800-476-4103 • Simi Valley, CA: 800-423-0150 • Fax: 864-834-3518 • www.tsbrass.com

This Space for Architect/Engineer Approval

Job Name _____ Date _____

Model Specified _____ Quantity _____

Customer/Wholesaler _____

Contractor _____

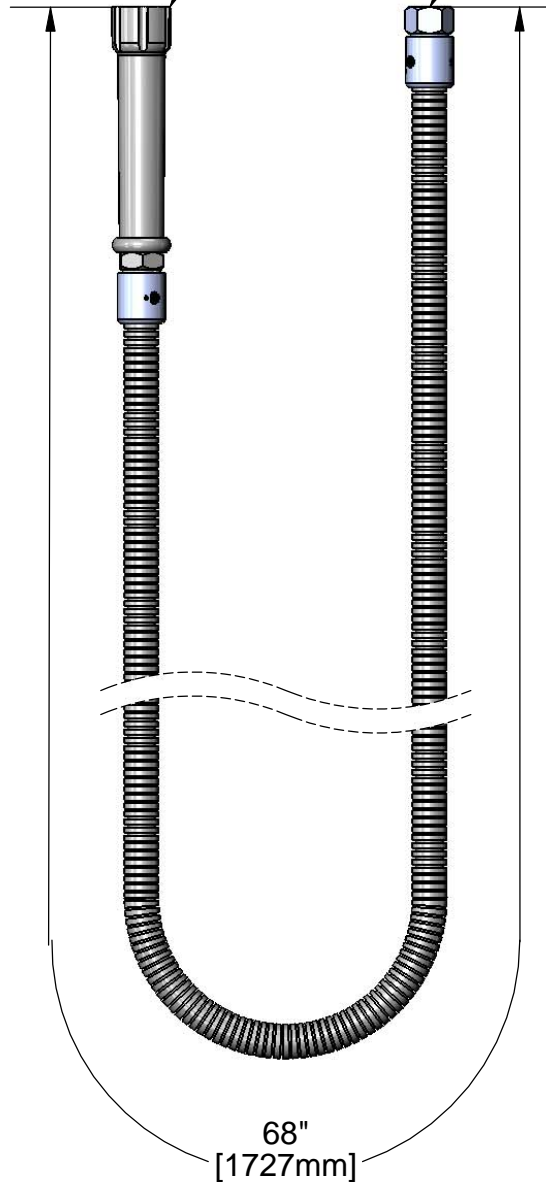
Architect/Engineer _____



(2) 010476-45
WasherS Furnished
w/ Hose

3/4-14UN
Female Outlet

3/4-14UN
Female Inlet



Product Specifications:

68" Flexible Stainless Steel Hose Assembly
w/ Gray Handle & Inner Polyurethane Hose

Drawn

DHL

Checked

JRM

Approved

JHB

Scale:

1:4

Date:

03/22/11



T&S BRASS AND BRONZE WORKS, INC.

2 Saddleback Cove / P.O. Box 1088
Travelers Rest, SC 29690



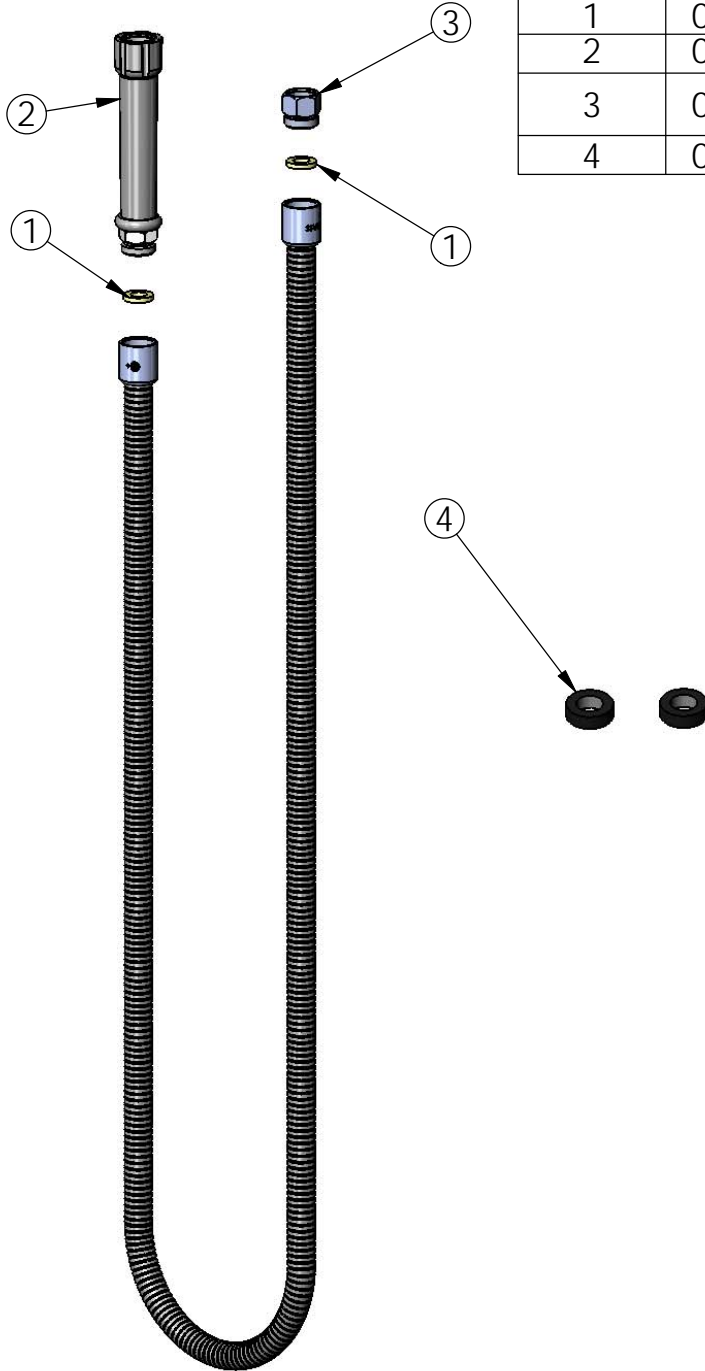
REG. #A2601
ISO #9001

Model No.

B-0068-H

Item No.

Travelers Rest, SC: 800-476-4103 Simi Valley, CA: 800-423-0150 Fax: 864-834-3518 www.tsbrass.com



ITEM NO.	SALES NO.	DESCRIPTION
1	001014-45	Washer, B-0100 Hose Barrel
2	002987-40	Gray Grip Handle Assembly
3	000729-40	Nut, 7/8"-20 Male x 3/4"-14 Female
4	010476-45	#27 Washer

Product Specifications:

**68" Flexible Stainless Steel Hose Assembly
w/ Gray Handle & Inner Polyurethane Hose**

Drawn
DHL

Checked
JRM

Approved
JHB

Scale:

NTS

Date:

03/22/11