



T&S BRASS AND BRONZE WORKS, INC.

2 Saddleback Cove / P.O. Box 1088
Travelers Rest, SC 29690



REG. #A2601
ISO #9001

Model No.

010386-45

Item No.

Travelers Rest, SC: 800-476-4103 Simi Valley, CA: 800-423-0150 Fax: 864-834-3518 www.tsbrass.com

This Space for Architect/Engineer Approval

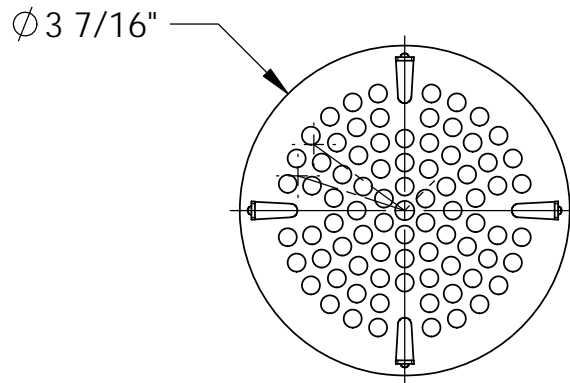
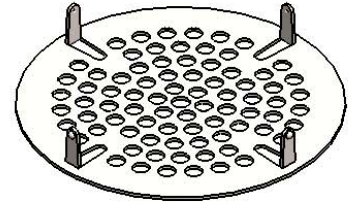
Job Name _____ Date _____

Model Specified _____ Quantity _____

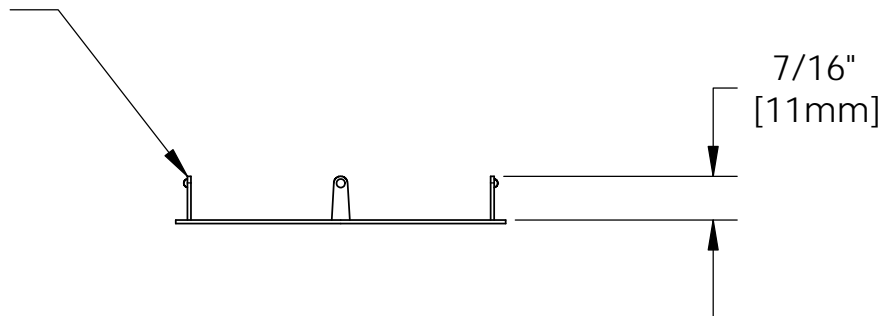
Customer/Wholesaler _____

Contractor _____

Architect/Engineer _____



MOUNTING LUGS
TYP. 4 PLCS



Product Specifications:
Stainless Steel Flat Strainer for $\phi 3 \frac{1}{2}$ " Waste Drain Valves

Drawn DHL	Checked DMH	Approved JHB
Scale: 1:2		Date: 09/20/11