

SD SERIES MACHINE STANDS

Item # _____

Project: _____

Qty: _____

*AutoCad available on KCL

SD SERIES

5/11

Item # 13025

DIMENSIONS W x D x H

SD-200

30 x 28 x 32^{13/16"}

SD-270

16^{1/2} x 24 x 35^{3/16"}

SD-450

26^{1/4} x 22 x 32^{1/2"}

SD-500

25^{7/8} x 22 x 32^{3/4"}

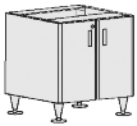
SD-700

34^{1/4} x 28^{1/4} x 32^{1/2"}

SD-750

34 x 28 x 32^{3/4"}

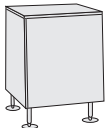
*with 6" adj. legs



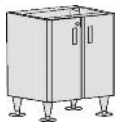
SD-200
Stand



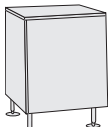
SD-270
Stand



SD-450
Stand



SD-500
Stand



SD-700
Stand



SD-750
Stand



SD-200 Stand

Shown
with a DM-200B



SD-270 Stand

Shown
with a DCM-270BAH-OS



SD-450 Stand

Shown
with a DCM-500BWF



SD-500 Stand

Shown
with a DCM-500BAH-OS



SD-700 Stand

Shown
with a DCM-700BAF



SD-750 Stand

Shown
with a DCM-750BAH-OS

- Heavy duty stands for floor model icemakers/dispensers
- Corrosion resistant stainless steel exterior
- Easy cleaning with attractive appearance
- Locking doors standard on SD-200, SD-270, SD-500 and SD-750

Warranty

Valid in United States, Canada, Puerto Rico, & U.S. Territories. Contact factory for warranty in other countries.

Two Year - Parts & Labor.



SD SERIES MACHINE STANDS

DIMENSIONS W x D x H

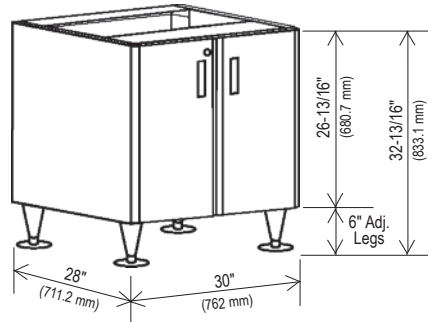
SD-200 30 x 32 x 32 ^{13/16"}	SD-500 25 ^{7/8} x 22 x 32 ^{3/4"}
SD-270 16 ^{1/2} x 24 x 35 ^{3/16"}	SD-700 34 ^{1/4} x 28 ^{1/4} x 32 ^{1/2"}
SD-450 26 ^{1/4} x 22 x 32 ^{1/2"}	SD-750 34 x 28 x 32 ^{3/4"}

*with 6" adj. legs

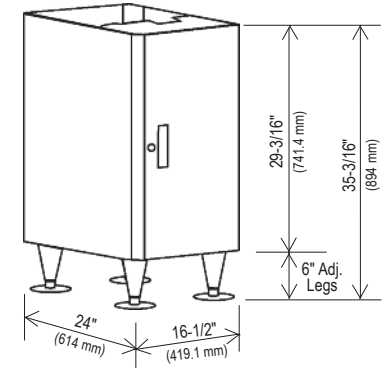
- Stand
- Stand with locking doors (SD-200, SD-270, SD-500, SD-750)

SPECIFICATIONS

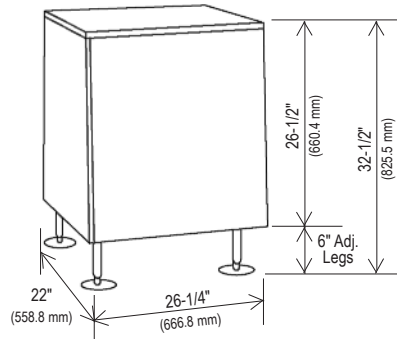
Model Number	Use with Cubelet Icemaker/Dispenser	Shipping Weight
SD-200	DM-200B	125 lbs.
SD-270	DCM-270BAH, DCM-270BAH-OS	95 lbs.
SD-450	DCM-500B_F, DCM-500B_H-OS	110 lbs.
SD-500	DCM-500B_F, DCM-500B_H-OS	100 lbs.
SD-700	DCM-750B_F, DCM-750B_H-OS	165 lbs.
SD-750	DCM-750B_F, DCM-750B_H-OS	125 lbs.



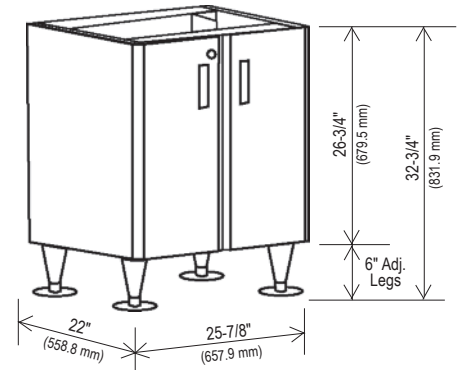
SD-200



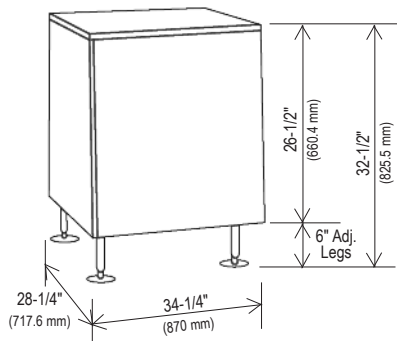
SD-270



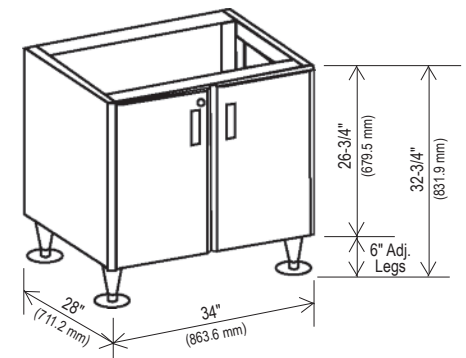
SD-450



SD-500



SD-700



SD-750



ISO9001-15C14901

© HOSHIZAKI AMERICA, INC.

618 Hwy. 74 S., Peachtree City, GA 30269

TEL 1-800-438-6087

FAX 1-800-345-1325

www.hoshizaki.com

Printed in U.S.A.

