

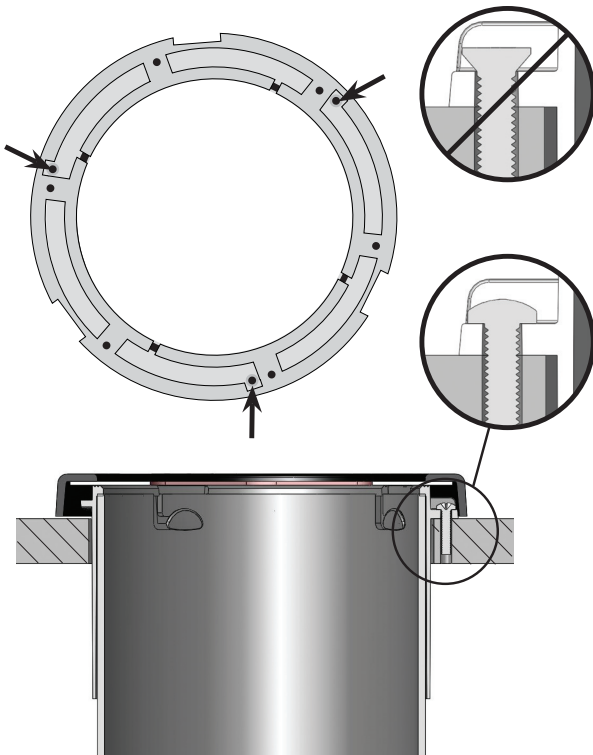
# C2010C EZ-FIT® PORTION CUP DISPENSER INSTALLATION INSTRUCTIONS

## 1. CUT HOLE IN COUNTER SURFACE



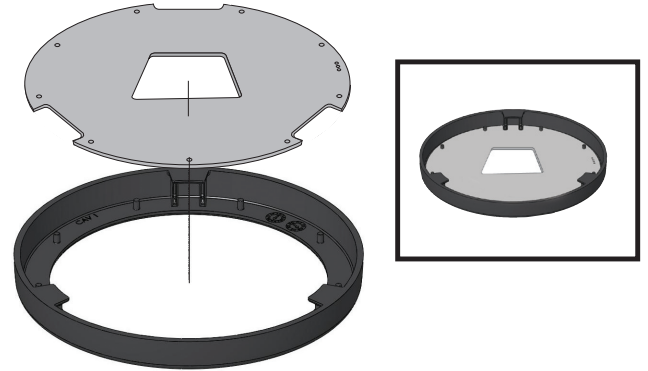
## 2. REMOVE TRIM RING TURNING COUNTER CLOCKWISE

## 3. SECURE CUP DISPENSER TO COUNTER WITH SUPPLIED SCREWS (#6 screws)

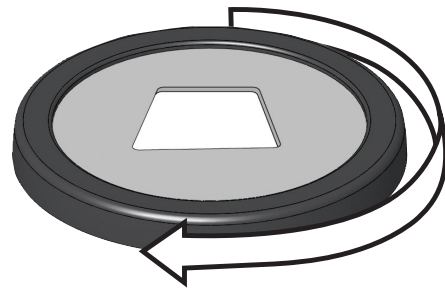


## 4. SELECT PROPER SIZE GASKET FOR CUP (SEE TABLE ON BACK)

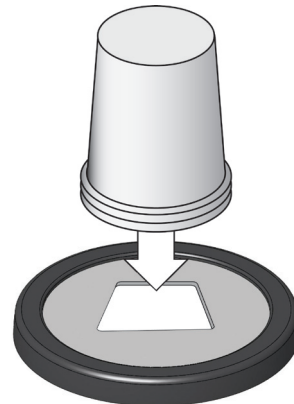
## 5. INSTALL GASKET OVER POSTS IN UNDERSIDE OF RING



## 6. REPLACE COVER RING WITH GASKET BY TURNING CLOCKWISE OVER MOUNTING RING UNTIL SECURE



## 7. LOAD CUPS THROUGH GASKET



## REPLACEMENT PARTS & ACCESSORIES

**C2011BK** Black Mounting Ring  
**C2016BK** Black Trim Ring

**C2012B** Spring End Cap  
**C2013GY** Spring End Cap

**C3026GY** Cup Pusher  
**XC2023S** Small Gasket

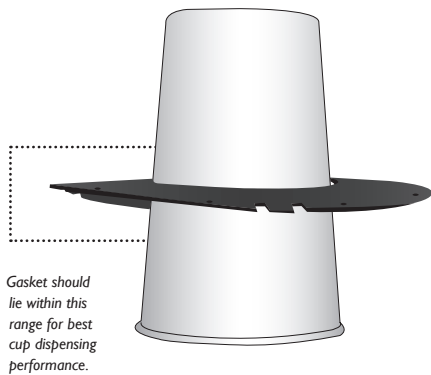
**XC2023M** Medium Gasket  
**XC2023L** Large Gasket

**XC2023XL** Extra Large Gasket

# GASKET SIZING GUIDE

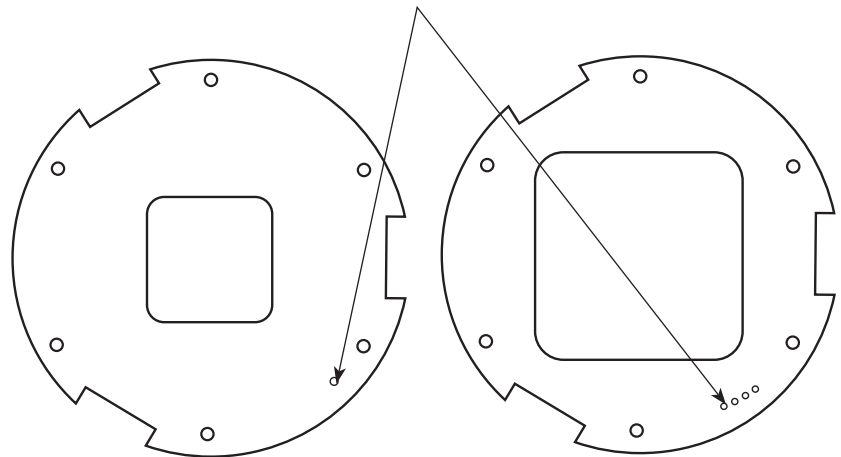
Approximate Cup Rim Diameter			Approximate Cup Size Range	Gasket Size	REPLACEMENT GASKET KITS	
minimum	maximum				Part Numbers	Quantity of Gaskets in Kit
1 1/2" (38mm)	1 5/8" (121mm)		3/4 oz (22mL)	SMALL	XC2023S	3
1 11/16" (43mm)	1 15/16" (49mm)		1 oz (30mL) to 1 1/4 oz (37 mL)	MEDIUM	XC2023M	3
1 15/16" (49mm)	2 1/8" (54mm)		1 1/4 oz (37mL) to 2 oz (59mL)	LARGE	XC2023L	3
2 5/16" (59mm)	2 7/16" (62mm)		2 oz (59mL) to 2 1/2 oz (74 mL)	EXTRA LARGE	XC2023XL	3
					XC2022 One each-Small, Medium, Large, Extra Large	4

## HOW TO DETERMINE WHICH GASKET TO USE



1. Turn cup upside down.
2. Affix gasket over cup. Gasket should rest about 2/3 of the way down from rim of cup.
3. When gasket fits appropriately, this indicates the correct gasket size to use.

SMALL GROUPING OF HOLES ON EDGE INDICATE GASKET SIZE (SEE CHART)



# OF HOLES	GASKET SIZE	PART #
○	SMALL	XC2023S
○ ○	MEDIUM	XC22023M
○ ○ ○	LARGE	XC2023L
○ ○ ○ ○	EXTRA LARGE	XC2023XL

San Jamar  
Chef Revival  
555 Koopman Lane  
Elkhorn, Wisconsin 53121  
USA  
T: +1.262.723.6133  
F: +1.262.723.4204  
info@sjcr.com

SJCR Canada  
3300 Bloor Street West  
Center Tower, 11th Floor, Suite 3140  
Toronto, ON M8X 2X3  
CANADA  
T: +1.416.760.7367  
F: +1.416.207.2071  
canada@sjcr.com

SJCR Europe  
Schoorstraat 26A, bus-1  
2220 Heist op-den Berg  
BELGIUM  
T: +32 1522 8140  
F: +32 1522 8148  
emea@sjcr.com

SJCR México  
Av. Universidad #1377-701  
Colonia Axotla CP 01030  
Del. Álvaro Obregón  
MÉXICO, DF  
T: +52 (55) 3626 0772  
F: +52 (55) 5273 4495  
mexico@sjcr.com

**SAN JAMAR**  
Smart ♦ Safe ♦ Sanitary

C2019B\_RevC