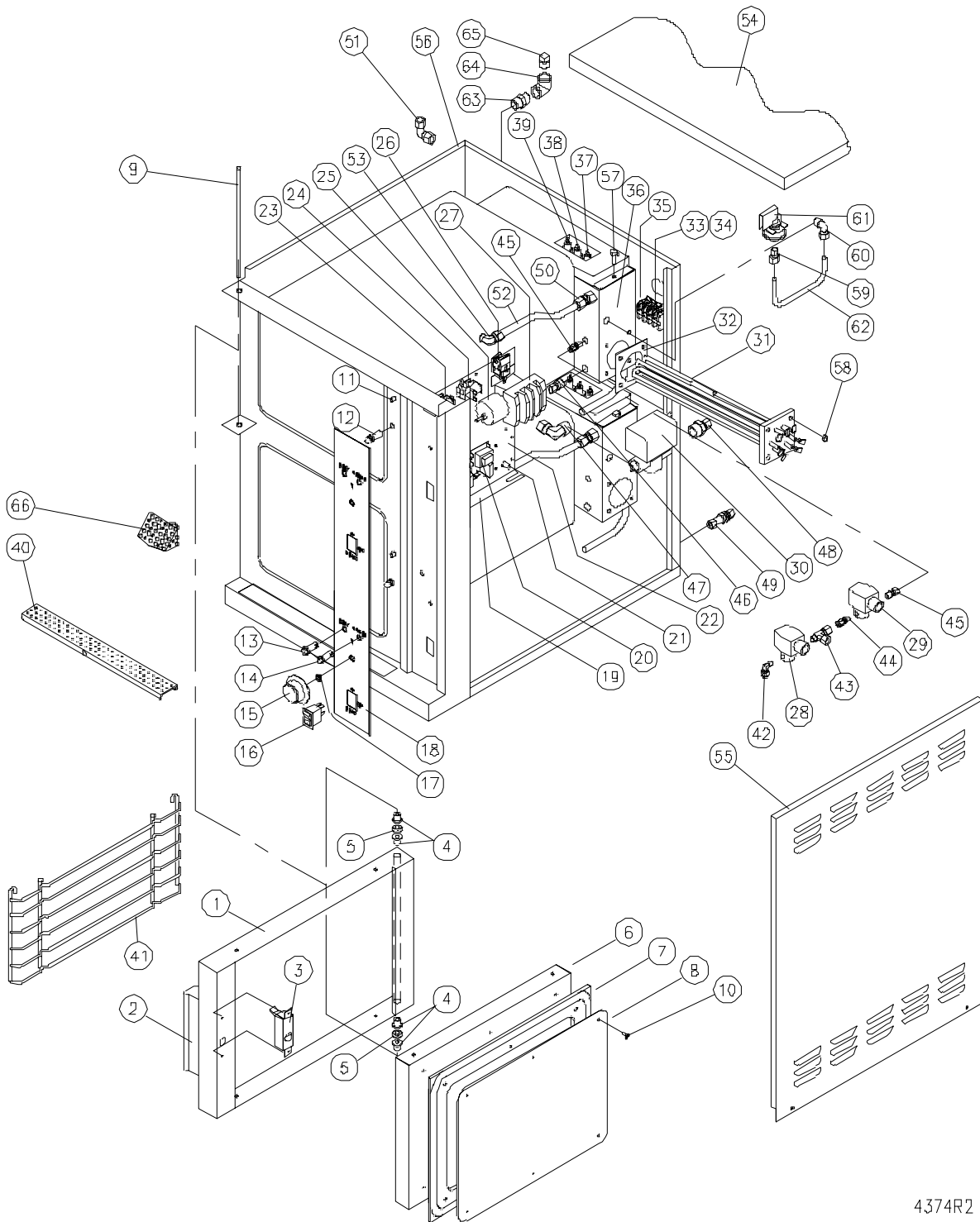


PARTS LIST
ELECTRIC CONVECTION STEAMER
BLODGETT MODELS: SC-7E
SC-10E



October 27, 2006

FIGURE 1



PARTS LIST, ELECTRIC CONVECTION STEAMER, SC-7E & SC-10E

FIGURE 1

ITEM	Part#	DESCRIPTION	SC-7	SC-10
*	1A	41691 Door Assembly (Top)	1	
		41689 Door Assembly (Lower)	1	
		41690 Door Assembly		2
	1	41650 Door Frame (Top)	1	
		41648 Door Frame (Lower)	1	
		41649 Door Frame		2
	2	41675 Door Handle Assembly	2	2
*		42258 Door Handle Decal	2	2
*		40648 Door Handle	2	2
*		40647 Door Handle Plate	2	2
*		40090 Socket Set Screw 1/4-20 x 1-3/4	2	2
*		40086 Socket Set Screw 1/4 - 20 x 3/4	1	1
*		40646 Spacer	2	2
*		40268 Lock Washer 1/4	2	2
*		40093 Hex Nut 1/4-20	2	2
	3	41679 Latch Assembly	2	2
	4	41699 Door Bushing	8	8
	5	43264 Spacer	4	4
	6	41672 Door Panel (Top)	1	
		41670 Door Panel (Lower)	1	
		41671 Door Panel		2
	7	43326 Door Gasket (Top)	1	
		41656 Door Gasket (Lower)	1	
		41657 Door Gasket		2
	8	41665 Gasket Plate (Top)	1	
		41663 Gasket Plate (Lower)	1	
		41664 Gasket Plate		2
	9	40543 Hinge Rod	1	
		40544 Hinge Rod		1
*		42322 Stainless Steel Washer	1	1

<u>ITEM</u>	<u>Part#</u>	<u>DESCRIPTION</u>	<u>SC-7</u>	<u>SC-10</u>	
	10	41875	Gasket Panel Screws	14	16
	11	42285	Actuator c/w Retaining Ring	2	2
*		42137	Door Switch	2	2
	12	41631	Striker	2	2
*		41632	Stainless Steel Washer	2	2
*		40112	Lock Washer	2	2
*		40114	Hex Nut	2	2
	13	40946	Pilot Light - Green	2	2
	14	40951	Pilot Light - Red	2	2
**	15	42456	Dial (60 Minutes, 50 Hz)	2	2
		42456	Dial (60 Minutes)	2	2
		42456	Dial (120 Minutes)	2	2
	16	41886	Power Switch	2	2
	17	41881	Rotary Shaft Seal	2	2
**	18	42568	Control Decal	1	
*		42570	Control Decal - Continuous Steam	1	
		42569	Control Decal		1
*		42571	Control Decal - Continuous Steam		1
	19	40244	Component Mounting Board	2	2
**	20	40625	Level Control, 10K OHM	2	2
		41064	Level Control, 1M OHM	4	4
	21	41887	Operating Thermostat	2	2
	22	41888	Safety Thermostat	2	2
	23	42094	Relay, Single Pole, 240V	2	2
	24	42092	Relay, Double Pole, 240V	2	2
**	25	40971	Timer (60 Minutes)	2	2
		40973	Timer (120 Minutes)	2	2
	26	40852	Buzzer, 240V	2	2
**	27	40892	Contactactor (208, 220, 240V)	2	2
		40943	Contactactor (380, 415, 480, 600V)	2	2

PARTS LIST, ELECTRIC CONVECTION STEAMER, SC-7E & SC-10E

<u>ITEM</u>	<u>Part#</u>	<u>DESCRIPTION</u>	<u>SC-7</u>	<u>SC-10</u>	
28	41037	Cooling Solenoid, 240V	2		
	40307	Cooling Solenoid, 240V		2	
29	41036	Fill Solenoid, 240V	2	2	
30	40602	Drain Solenoid, 240V	2	2	
**	31	41718	Element Assembly, 7.5 kW, 208V, (Top)	1	
		41719	Element Assembly, 7.5 kW, 220V, (Top)	1	
		41720	Element Assembly, 7.5 kW, 240V, (Top)	1	
		41721	Element Assembly, 7.5 kW, 480V, (Top)	1	
		43327	Element Assembly, 7.5 kW, 600V, (Top)	1	
		41636	Element Assembly, 10 kW, 208V, (Lower)	1	
		41642	Element Assembly, 10 kW, 220V, (Lower)	1	
		41637	Element Assembly, 10 kW, 240V, (Lower)	1	
		41638	Element Assembly, 10 kW, 480V, (Lower)	1	
**	31	41723	Element Assembly, 10 kW, 600V, (Lower)	1	
		41639	Element Assembly, 15 kW, 208V		2
		41640	Element Assembly, 15 kW, 220V		2
		41641	Element Assembly, 15 kW, 240V		2
		41643	Element Assembly, 15 kW, 480V		2
		41724	Element Assembly, 15 kW, 600V		2
32	41703	Element Gasket	2	2	
**	33	40734	Terminal Block Section	4	4
		40734	Terminal Block Section, 380, 415, 480, 600V	3	3
34	40733	End Section	1	1	
35	40840	Ground Lug	1	1	
36	41297	Generator Tank	2	2	
*		40234	Tank Cover	2	2

<u>ITEM</u>	<u>Part#</u>	<u>DESCRIPTION</u>	<u>SC-7</u>	<u>SC-10</u>
*	42138	Tank Gasket	2	2
	37 40469	Probe 5" (Low Level Cut Off)	2	2
	38 40468	Probe 4.25" (Low Level)	2	2
	39 40931	Probe 3.6875" (High Level)	2	2
	40 41633	Perforated Trough	1	1
	41 40199	Pan Rack (Upper)	2	
	40200	Pan Rack (Lower)	2	
	40201	Pan Rack		4
*	40843	Rack Pin Assembly	8	8
	42 40441	Elbow 1/4C x 1/8 MPT	2	2
	43 40457	Tee 3/8C x 1/8 MPT	2	2
	44 40429	Connector 3/8C x 1/8 MPT	2	2
	45 40424	Connector 1/4C x 1/8 MPT	4	4
	46 40205	Thermostat Fitting 3/8C x 3/8 MPT	2	2
	47 40450	Elbow 1/2C x 3/4 MPT	2	2
	48 40435	Connector 1/2C x 3/4 MPT	2	2
	49 40475	Water Connection 3/8C	1	1
	50 40406	Union Coupling 1/2C	2	2
	51 40411	Elbow 1/2C	2	2
**	52 41047	Right Hand Steam Tube ½" Diameter	2	2
	41748	Left Hand Steam Tube, ½" Diameter	2	2
	53 40447	Elbow 1/2C x 1/4 MPT	4	4
*	40369	Steam Diverter	4	4
	54 42390	Top	1	1
	55 41179	Side Panel	1	
	41180	Side Panel		1
	56 41177	Left Hand Side and Back Panel	1	
	41178	Left Hand Side and Back Panel		1
*	41856	Nut Cage 1/4-20	2	2
	57 40097	Hex Bolt 5/16-18 x 1	4	4

PARTS LIST, ELECTRIC CONVECTION STEAMER, SC-7E & SC-10E

<u>ITEM</u>	<u>Part#</u>	<u>DESCRIPTION</u>	<u>SC-7</u>	<u>SC-10</u>	
	58	40093	Hex Nut 1/4-20	8	8
	59	43272	Connector 3/8C x 1/8 FPT	2	2
	60	40445	Elbow 3/8C x 3/8 MPT	2	2
	61	41102	Pressure Switch, 5 PSI	2	2
	62	41114	Copper Tube 3/8"	2	2
	63	43269	Brass Nipple 1/2-14	2	2
	64	43270	Brass Elbow 1/2-14	2	2
	65	43271	Brass Plug, 1/2-14	2	2
	66	41059	Compartment Strainer	2	2
*	67	41864	Switch - Continuous Steam	2	2
**					
*	68	41766	Fuse 1A, 600V (380, 415, 480, 600V)	4	4
**					
		41860	Fuse 2A, 250V (208, 220, 240V)	4	4
		41860	Fuse 2A, 250V (380/220, 415/240V)	2	2
*	69	41844	Fuse Holder (208, 220, 240V)	4	4
**					
		41844	Fuse Holder (380/220, 415/240)	2	2
		41769	Fuse Holder (380, 425, 480, 600V)	4	4
*	70	40980	Transformer 480 - 240V, 60 Hz, 100 VA	2	2
**					
		40974	Transformer 380/415 -240V, 100 VA	2	2
		40985	Transformer 600 - 240V, 60 Hz, 100 VA	2	2
*	71	41143	Wiring Harness	1	1
*	72	41164	Cabinet Assembly (EC Models Only)	1	1
		41355	Cabinet Door	1	1
		41140	Magnetic Catch	1	1
		41211	Pan Guide, Right Hand	1	1
		42857	Pan Guide, Left Hand	1	1

* NOT SHOWN.

** SELECT AS REQUIRED.