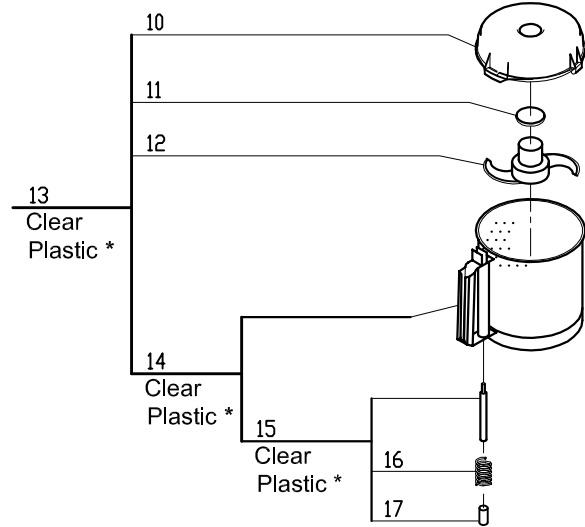
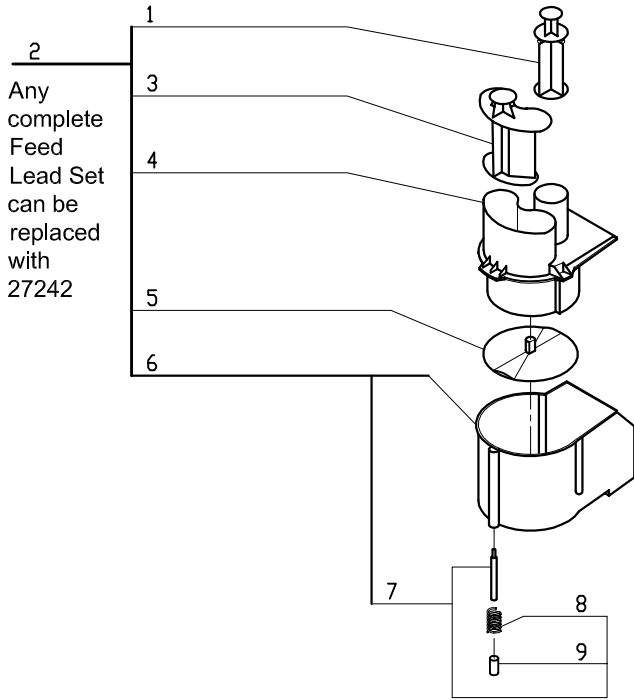
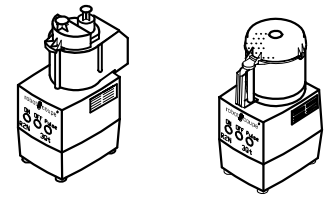
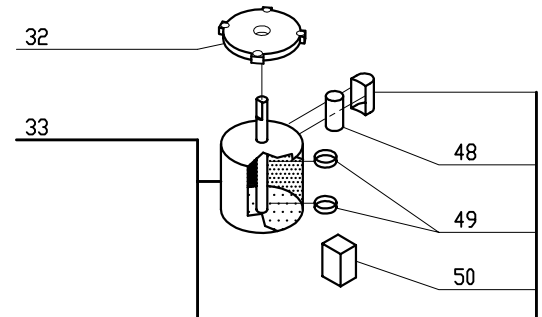
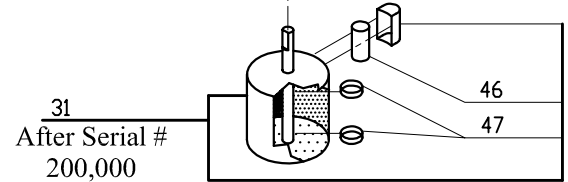
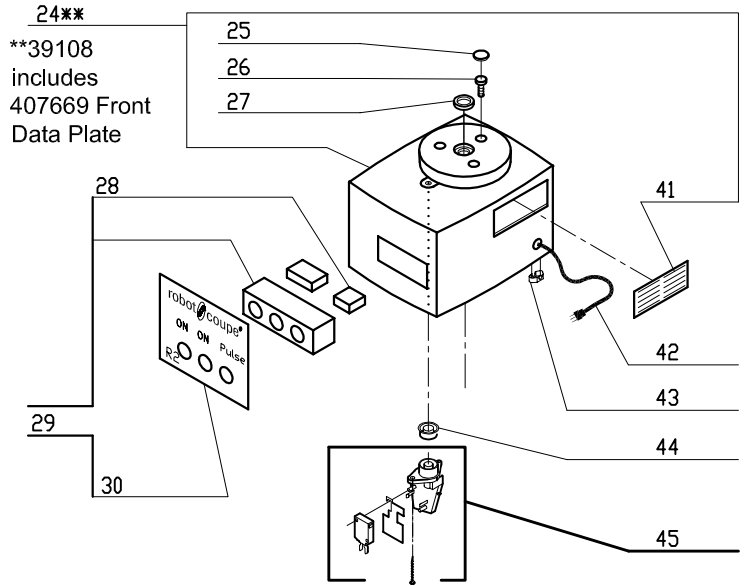


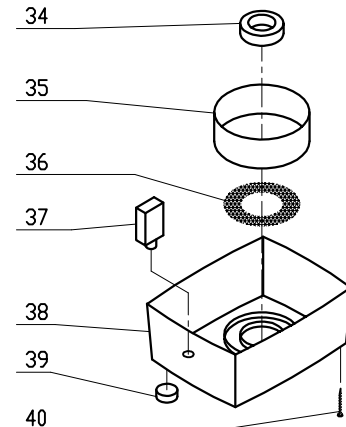
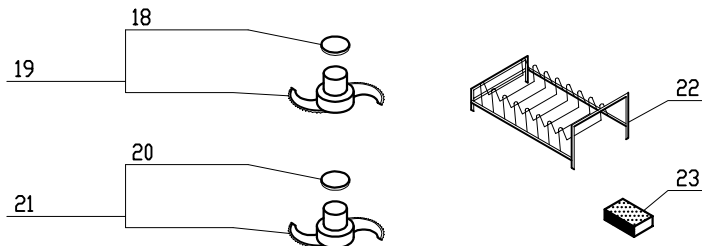
Phone: 1-800-824-1646  
 Fax: 601-898-9134  
 email: robocoup@misnet.com



\* If ordering the R2NCLR with a bowl only, order model R2BCLR



ACCESSORIES



<b>Index PDF</b>	<b>Référence</b>	<b>Designation commerciale</b>	<b>Tarif</b>
1	103281	ROUND PUSHER	14.40 USD
2	27242	VEGETABLE SLICER ASSEMBLY	335.00 USD
3	103280S	VEGETABLE PUSHER	38.90 USD
4	<del>418592</del> 118592S	VEGETABLE SLICER LID	95.60 USD
5	<del>403288</del> 103288S	SLINGER PLATE	18.00 USD
6	<del>402699</del> 102699S	VEGETABLE SLICER BOWL ASSEMBLY	192.00 USD
7	29007	WHITE VEGETABLE SLICER BOWL SAFETY ROD ASSEMBLY	5.60 USD
8	100964	SPRING	5.10 USD
9	Number NA	Description NA	Contact us
10	<del>406458</del> 106458S	CUTTER LID	54.80 USD
11	<del>447058</del> 117058S	BLADE CAP	2.10 USD
12	27055	STRAIGHT BLADE	95.00 USD
13	27240	CLEAR CUTTER ASSEMBLY	282.00 USD
14	<del>412203</del> 112203S	CLEAR BOWL ASSEMBLY	108.00 USD
15	39077	COMPLETE CLEAR SAFETY ROD	5.80 USD
19	27061	FINE SERRATED BLADE	160.00 USD
21	27138	SERRATED BLADE	180.00 USD
22	R255	PLATE RACK	18.00 USD
23	502579	HONING STONE	49.00 USD
24	39108	MOTOR SUPPORT ASSEMBLY	216.10 USD
25	101103	BOLT COVER	2.10 USD
26	R232A	Screw (Motor - MS)	1.95 USD

27	<del>504040</del> 501010S	MOTOR SEAL	19.70 USD
28	R274	Pulse Switch	19.55 USD
29	39106	CONTROLE PANEL ASSEMBLY	180.80 USD
30	407669	FRONT PLATE	22.00 USD
31	R239	MOTOR AO SMITH	587.15 USD
32	R239D.3	ADAPTER PLATE FOR EMERSON MOTOR	6.70 USD
33	R239D	MOTOR EMERSON	707.70 USD
34	101095	ABSORBER	20.70 USD
35	101096	VENTILATION BAFFLE	78.80 USD
36	R277A	SCREEN KIT	8.10 USD
37	R286	CIRCUIT-BREAKER	26.25 USD
38	104124	BASE	139.00 USD
39	<del>402034</del> 102031S	Foot	4.90 USD
40	<del>200005</del> 203056	SCREW 3,9 x 19	1.90 USD
41	101098	VENT COVER + RIVETS	28.40 USD
42	R240	POWER CORD	31.70 USD
43	101106	POWER CORD CLIP	4.30 USD
44	<del>500527</del> 500527S	SEAL RING	2.70 USD
45	101277	MICROSWITCH ASSEMBLY	27.80 USD
46	R222	CAPACITOR F/C MOTOR (R2N)	65.60 USD
47	R237	BEARING 6203 AO SMITH MOTOR	55.80 USD
48	R239D.2	CAPACITOR	39.40 USD
50	R239D.1	STARTING RELAY EMERSON	49.00 USD