



Item # _____

Job _____



Metro C5 3 Series Insulation Armour™ Heated Holding and Proofing Cabinets

- **Insulation Armour™:** Patented insulation technology retains heat, saves energy, and provides a cool-to-touch exterior. Durable polymer construction is dent, impact, and stain resistant. Molded-in hand holds create vertical handles for mobile applications.
- **Colors:** Insulation Armour is available in Red, Blue, or Gray standard and in other colors on a promotional basis or upon request.
- **Control:** Four holding modules are available: Holding, Moisture, Proofing, and Combination Proof and Hold. All feature an easy-to-read digital thermometer, recessed control dials, a master on/off switch, and power indicator lights.
- **Performance:** All modules provide fast heat-up and recovery through a thermostatically controlled, forced convection system.
- **Sizes:** C5 3 Series cabinets are available in Full Height (71", 1803mm), ¾ Height (59", 1499mm), and ½ Height (44", 1118mm) sizes.
- **Doors:** Solid insulated aluminum or clear polycarbonate doors are available. Full Height cabinets can be configured with full length or Dutch-style doors. Clear doors provide visibility of the contents of the cabinet without the heat loss associated with opening the door.
- **Capacity:** Three slide styles provide maximum holding capacity. Choose from Universal Wire, Lip Load, or Fixed Wire.
- **Removable Module:** All modules are removable, without tools, for easy cleaning of the cabinet interior. Future module upgrades or changes can occur without cabinet body replacement.
- **Reliability:** Reliability and durability are designed into every C5. High-quality components provide a long life of worry free use.
- **Power Options:** Choose between standard high wattage or low wattage models based on the specific needs of the application.
- **Energy Star:** C5 3 Series Full Height, ¾ Height, and solid door ½ Height cabinets are Energy Star.



Red Full Height Dutch Clear Doors



Blue Full Height Full Clear Door



Gray Full Height Dutch Solid Doors



Gray ¾ Height Full Clear Door



Blue ½ Height Full Solid Door

C5 3 Series Insulation Armour™ Heated Holding and Proofing Cabinets

13-93



InterMetro Industries Corporation
North Washington Street
Wilkes-Barre, PA 18705
www.metro.com





Module Options

Temperature
Easy-to-use dial puts you in control of cabinet temperature.

Easy-to-read
Digital Thermometer can be seen from a distance.



- **Holding Module:** Heat generation only for higher temperature heated holding applications.

Temperature
Easy-to-use dial puts you in control of cabinet temperature.

Easy-to-read
Digital Thermometer can be seen from a distance.

Moisture
Control the amount of moisture in the cabinet when holding.



- **Moisture Module:** Simultaneous heat and moisture generation for higher temperature heated holding applications and lower temperature proofing applications. Humidity is generated at both high and low temperatures.

Temperature
Easy-to-use dial puts you in control of cabinet temperature.

Moisture
In Proofing mode control the amount of moisture in the cabinet.



- **Proofing Module:** Heat and moisture generation for lower temperature proofing applications.

Easy-to-read
Digital Thermometer can be seen from a distance.

Temperature
Easy-to-use dial puts you in control of cabinet temperature.

Moisture
In Proofing mode control the amount of moisture in the cabinet.

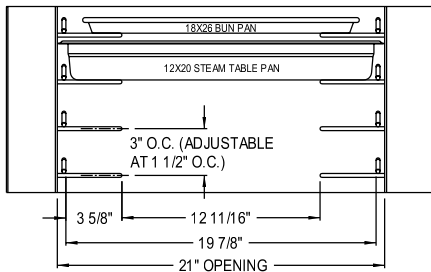
Flexible
Choose Holding or Proofing mode at the flip of a switch.



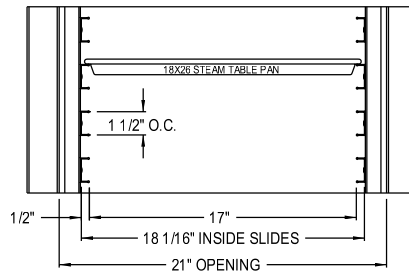
- **Combination Module:** Heat generation only for higher temperature holding applications or heat and moisture generation for lower temperature proofing applications. Humidity is generated only at lower temperatures when in "Proof Mode". Humidity is not generated when in "Hold Mode".

Easy-to-read
Digital Thermometer can be seen from a distance.

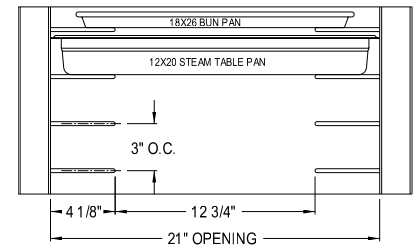
Slide Options



- **Universal:** Adjustable wire slides, with SiteSelect™, hold 18" x 26" (457 x 660mm) sheet, 12" x 20" (305 x 508mm) steam table, 2/1 or 1/1 GN pans, and adjust on 1½" (38mm) increments.



- **Lip Load:** Fixed aluminum extrusions hold 18" x 26" (457 x 660mm) sheet pans on 1½" (38mm) increments.



- **Fixed Wire:** Fixed slides hold 18" x 26" (457 x 660mm) sheet, 12" x 20" (305 x 508mm) steam table, 2/1 GN, or 1/1 GN pans on 3" (76mm) increments.

Cabinet Size	Universal Slides				Lip Load Slide Pan Capacity 18" x 26"	Fixed Wire Slides Pan Capacity	
	Slide Pairs Provided		Pan Capacity**			18" x 26" GN 2/1	12" x 20" x 2½" GN 1/1
		Max.*	18" x 26" GN 2/1	12" x 20" x 2½" GN 1/1			
Full Height	18	37	18	34	35	18	34
Full Height/Dutch	18	35	17	32	34	17	32
¾ Height	14	29	13	26	27	14	26
½ Height	8	17	8	16	17	8	16

*Maximum number of slide pairs @ 1½" spacing. Additional slide pairs ordered separately.

**Capacity based on standard number of slide pairs provided.

Options/Accessories*

- Small Item Shelf (C5-SHELF)
- Stainless Steel Legs (C5-SSLEGS)
- Universal Slide Pair (C5-USLIDECPR)
- 6" Casters (C5-6CASTER)
- Rear Rigid Casters (C5-5RDGCSTR)
- Travel Latch (C5-TRVL)
- Flush Door Latch (C5-LATCHFLUSH-1)**
- Right Angle Plug (C5-RTANGPLG)
- Left Hand Hinging (DD3768)
- Stainless Steel Universal Slides (call)

*Specify as a line item with an "A" added to the end of the cabinet part number.

**Two required for Dutch Door models.

Power Options

- Lower Wattage Combination and Holding Modules
- Export 220-240 Voltage Modules with Centigrade Thermometer Display



Limited Edition Orange
Full Height Dutch Solid Doors



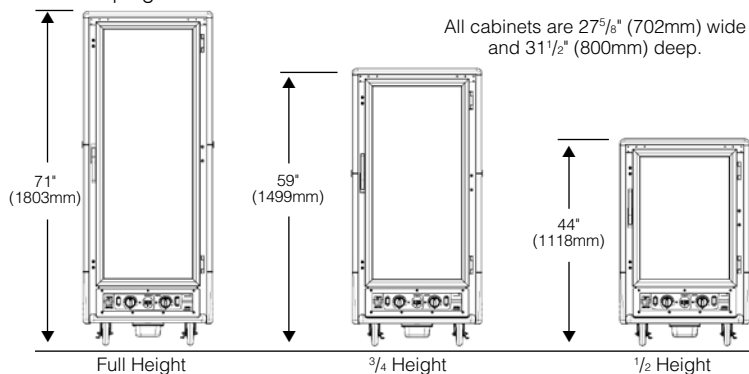
C5 3 Series Insulation Armour™ Heated Holding and Proofing Cabinets

Specifications

- **Cabinet Material:** .063" (1.8mm) aluminum, natural interior with .125" (3.2mm) aluminum chassis.
- **Insulation Armour™:** High Density Polyethylene (HDPE).
- **Casters:** Four casters with 5" (127mm) donut neoprene wheel, double ball bearing swivel, ball bearing axel, nickel plated, two with brake.
- **Solid Doors:** Fully insulated with 1" (25.4mm) fiberglass, double panel .063" (1.8mm) aluminum, brushed exterior, natural interior.
- **Clear Doors:** Extruded aluminum powder coated frame with .090" (2.3mm) polycarbonate window.
- **Hinges:** Field reversible, double hinged, 180° swing, with long-life nylon bearings.
- **Gaskets:** High temperature, door mounted, Santoprene gaskets.
- **Latches:** Polymer high-strength magnetic pull latch with lever-action release.
- **Hand Holds:** Molded into the Insulation Armour™ on all four corners.
- **Universal Slides:** 1/4" (6.4mm) dia. nickel-chrome electroplated wire, adjustable on 1 1/2" (38mm) increments.
- **Lip Load Slides:** 1 1/2"x1/2"x.063" (38x38x1.8mm) extruded aluminum channel slides, 1 1/2" (38mm) fixed spacing.
- **Fixed Wire Slides:** 1/4" (6.4mm) dia. nickel-chrome electroplated wire, welded on 3" (76mm) spacing.
- **Drip Trough:** Smooth polymer drip trough with catch pan.
- **Holding Modules:** Removable without tools, digital thermometer, recessed control dials, master on/off switch, "Power On" light, water pan, ball bearing blower forced air system, 7 1/2' cord, UL, CUL, and NSF Listed.

Electrical and Performance:

- **Holding Module:** 2000 Watt, 120 Volts, 60 Hz., single phase, 16.7 Amps. 80°F to 200°F operating temperature range. NEMA 5-20P plug.
- **Moisture Module:** 2000 Watt, 120 Volts, 60 Hz., single phase, 16.7 Amps. 80°F to 200°F operating temperature range. 35% RH at 160°F, 95% RH at 95°F. NEMA 5-20P plug.
- **Proofing Module:** 1440 Watt, 120 Volts, 60 Hz., single phase, 12 Amps. 80°F to 120°F operating temperature range. 95% RH at 95°F. NEMA 5-15P plug.
- **Combination Module:** 2000 Watt, 120 Volts, 60 Hz., single phase, 16.7 Amps. 80°F to 200°F operating temperature range. 95% RH at 95°F. NEMA 5-20P plug.



- **Clearance Requirements:** 18" (46cm) away from any cooking equipment. AVOID contact with surfaces that exceed 200°F (90°C). Minimum clearance from enclosures is 1 1/2" (38mm) on sides, back and top.

All Metro Catalog Sheets are available on our Web Site: www.metro.com

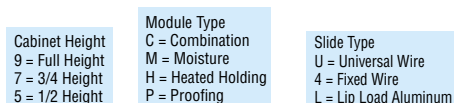


InterMetro Industries Corporation
North Washington Street, Wilkes-Barre, PA 18705
Phone: 570-825-2741
Fax: 570-825-2852

For Product Information:
U.S. and Canada: 1.800.433.2232

Latin America: 1.561.333.3824
Europe: +31.76.587.7550

Asia/Pacific: +65.6567.8003
Middle East/Africa: +971.4.811.8286



C539 - CDC - U



For Standard Wattage Cabinets
(120V, 16A, 60Hz, 2000W)

Door Style

FS = Full Length Solid DS = Dutch Solid *
FC = Full Length Clear DC = Dutch Clear *

*Please note: Dutch doors only available on full-height models.
Cabinets ordered without a color designation default to Red.

Low Watt Model Number Description

C539 - CLDC - U



Add "L" for Lower Wattage Combination or Holding Module Cabinets
(120V, 12A, 60Hz, 1440W)

Export Model Number Description

C539 - CXDC - U



Add "X" for Export Cabinets
(220-240V, 7.6-8.3A, 50/60Hz, 1681-2000W)

Blue or Gray Model Description

C539 - CDC - U - BU

** Cabinets ordered without a color designation default to Red.

Color **
No Suffix = Red
BU = Blue
GY = Gray

Models with Accessories or Options

C539 - CDC - UA
C539 - CDC - U - BUA

An "A" suffix indicates that accessories need to be factory assembled to the cabinet. Order accessories separately.



- **Colors:** Red, Blue, and Gray are standard. Other colors such as Sage Green, Beige, Yellow, and Orange are available for a limited time. Call for availability and color match requirements.

Metro Heated cabinets are for hot food holding applications only.

L03-270

Printed in U.S.A. Rev. 1/09

Information and specifications are subject to change without notice. Please confirm at time of order.

Copyright © 2009 InterMetro Industries Corp.