

SHORT SERIES™ ELECTRIC KETTLES

34.8" RIM HEIGHT, STATIONARY, FULL STEAM JACKETED
 SELF-CONTAINED, "SPLASH PROOF SERIES"
 40 or 60 GALLONS (150 or 225 LITERS)

MODELS: KEL-40-SH
 KEL-60-SH

Cleveland Standard Features

- Self-contained, easily installed - needs only an electrical hook-up
- Steam jacket filled with treated water, venting and/or refilling is not required
- Accurate, consistent solid state temperature controls (mechanical thermostat not as accurate) - less than $\pm 1^\circ\text{C}$ variance (ideal for simmering). Operating temperature range from $145^\circ - 260^\circ\text{F}$ ($63^\circ\text{C} - 127^\circ\text{C}$)
 Control panel includes:
 - LED indicator for heat cycle • LED indicator for low water
 - Power ON/OFF switch • Adjustable temperature control dial
- Water resistant controls, splash-proof construction
- Re-inforced rolled rim design prevents damage to kettle rim, eliminates "bar rim designs"
- Welded-in heating elements, (holds vacuum better, won't leak or loose water)
- Easily cleaned: kettle and all exterior surfaces are of type 304 stainless steel with an #4 finish
- Rear mounted easy access pressure gauge and pressure relief valve to prevent tampering. Color coded easy to read pressure gauge with "green" and "vent air zone"
- 50 psi steam jacket rating for higher cooking temperatures
- 50 psi safety valve
- Solid state water level control (no sight glass gauge to break or leak)
- Faucet mounting bracket
- 2" diameter tangent draw-off valve with drain strainer
- Spring-assisted, hinged, rotatable, domed stainless steel cover
- 1 5/8" O.D. tri-leg supports with level adjustable feet for floor bolting
- Standard voltage is 208-240 volts, 60 Hz, 3 Phase, 3-wire
- Typical approvals include UL., CSA, CE, NSF and ASME

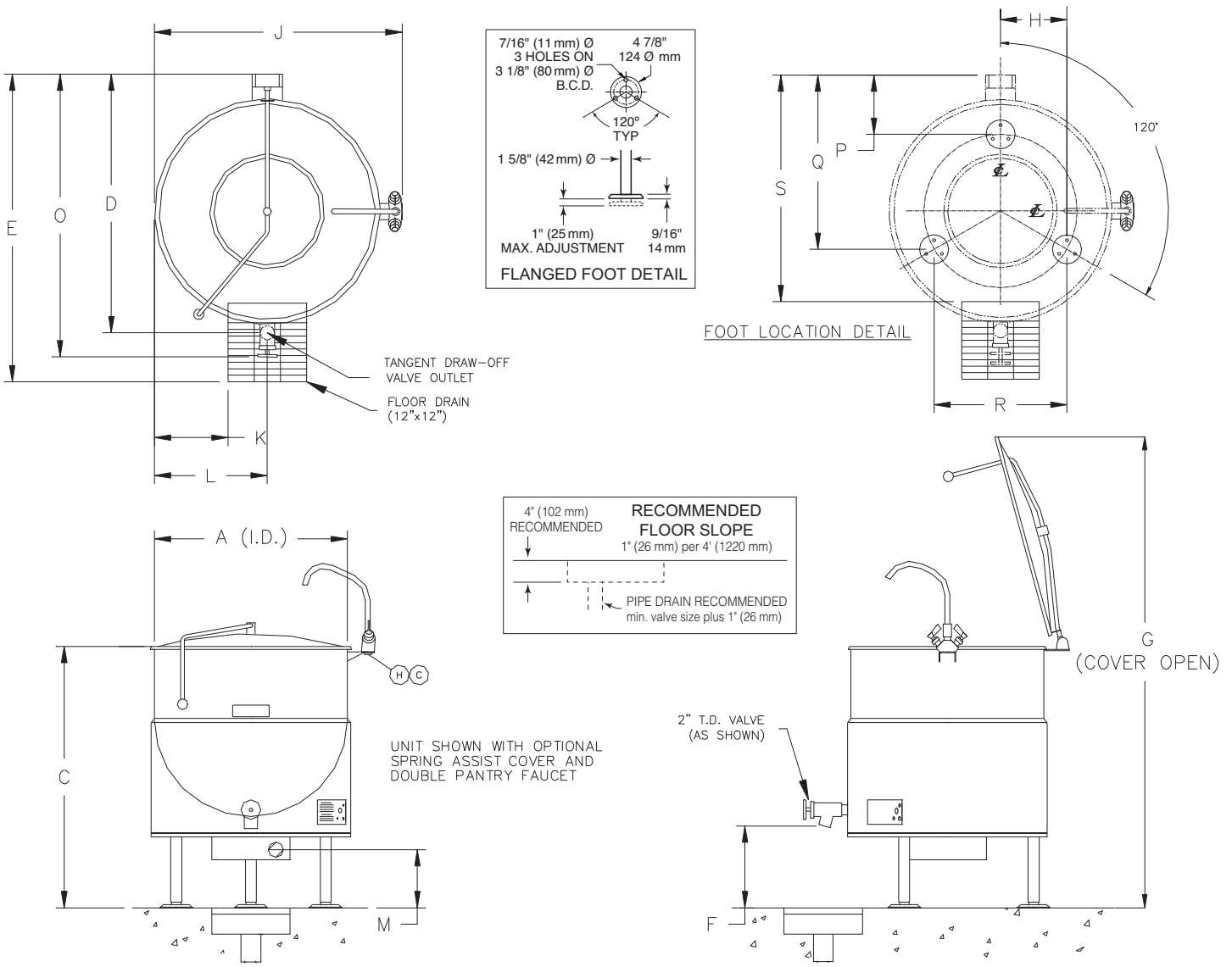
Options & Accessories

- 316 Stainless Steel Interior Liner (316G)
- 3" diameter Tangent Draw-Off Valve w/Strainer (TD3), for 60 gallon only
- Hot & Cold Water Faucet (DPK)
- Kettle Accessory Kit (KAK)
- Tri-Basket Strainer Support Systems (TBS)
- Kettles Markings (KM)
- Measuring Strips (MS)
- Voltages other than standard (VOS)
- Correctional Packages
- High Wattage (HW) (see back page)
- Heat Deflector Shield (HS001)
- Insulated Outer Jacket (IOJ)



Short Form Specifications

Cleveland Electric Stationary Kettle, Model KEL-40SH, 34.8" rim height, 3/4 steam jacketed, 50 psi steam jacket rating, Permanently filled Steam Jacket. Splash-Proof Solid-State Temperature Controls. 2" Tangent Draw-Off Valve with Strainer, Spring-Assist Cover and Faucet Bracket. Splash Proof Solid State Temperature ($\pm 1^\circ\text{C}$) and Safety Control System in plug-in Module including L.E.D. indicators.



DIMENSIONS

GALS./ LITERS		A	C	D	E	F	G	H	J	K	L	M	O	P	Q	R
40/	IN	29 1/2	35 7/8	38	44	14	67 3/8	11 7/16	34 1/2	9 1/2	15 1/2	8 7/8	43	5 13/16	25 5/8	22 7/8
150	mm	750	911	965	1118	356	1712	291	876	242	394	225	1,092	148	651	582
60/	IN	33	35 7/8	41 1/4	47 1/4	10 1/4	72	12 15/16	38	11 1/4	17 1/4	6 3/4	46	5 9/16	28	25 7/8
225	mm	839	911	1048	1200	260	1829	329	965	286	439	171	1,168	141	711	65

STANDARD WATTAGE

GALS. LITERS	208V			240V			415V			480V			
	KW	1PH	3PH	KW	1PH	3PH	KW	1PH	3PH	KW	1PH	3PH	
40	150	14.7	70.8	40.9	19.6	81.7	47.1	18.1	43.5	25.1	19.6	40.8	23.6
60	225	14.7	70.8	40.9	19.6	81.7	47.1	18.1	43.5	25.1	19.6	40.8	23.6

HIGH WATTAGE

GALS. LITERS	208V			240V			415V			480V			
	KW	1PH	3PH	KW	1PH	3PH	KW	1PH	3PH	KW	1PH	3PH	
40	150	24.5	N/A	68.1	30	N/A	75.3	32.6	68.1	39.3	25.1	66.2	38.2
60	225	29.4	N/A	81.7	39.2	N/A	94.3	39.2	81.7	47.1	30.2	79.4	45.9

Consult factory for other voltages.

NOTES:

Cleveland Range reserves right of design improvement or modification, as warranted. Many regional, state and local codes exist and it is the responsibility of the owner and installer to comply with the codes. Cleveland Range equipment is built to comply with applicable standards for manufacturers. Included among those approval agencies are U.L., NSF, CGA, CSA, ETL and others.

- CAPACITIES:
(in 8 oz. servings, other sizes may be calculated)
40 Gallon / 150 liters 640 servings
60 Gallon / 225 liters 960 servings

SHIPPING WEIGHT (LBS.)

KEL-40-SH = 330
KEL-60-SH = 370

WATER

3/8" O.D. copper tube or 1/2" N.P.T. pipe.

When ordered with optional faucet.

CLEARANCE

RIGHT = 0
LEFT = 0
REAR = 0

Allow 12" minimum on right side for servicing