

RETRACTABLE CEILING MOUNTED INFRA RED WARMERS IFW-63 SERIES

FEATURES AND BENEFITS:

- Adjustable ceiling mounted infra red warmer. Keeps food warm and appetizing for total customer satisfaction.
- Spring tension cord reel lowers unit when needed, retracts when not in use. Two lengths available.
- Supplied with shatter resistant and thermal shock resistant 250 Watt red lamp (120 Volts). White lamp available upon request.
- On-Off switch located at socket for convenience.
- Our standard hood style is available in your choice of four colors: Polished Brass, Polished Nickel, Black or Red.



IFW-63-10-R

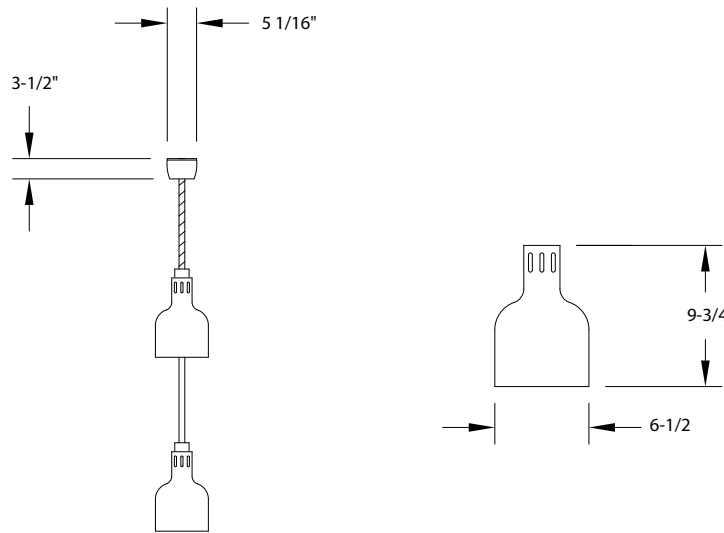


ACCESSORIES and OPTIONS (Available at extra cost):

- Shatter Proof Lamp
- 240 Volt Service

See page I-13 for accessory details.

IFW-63 Series



CRES COR MODEL NO. & HOOD STYLE	PULL DOWN EXTENSIONS: O.A. ADJUSTABLE LENGTHS		WEIGHT ACT.	
	INCHES	MM	LBS.	KG.
IFW-63-10*	23 - 60-1/2	585 - 1555	4	2
IFW-63-L-10*	31 - 68-1/2	790 - 1755	5	2

*Add color suffix:

PN = Polished Nickel

PB = Polished Brass

BL = Black

R = Red

WARMER:

- Canopy: Spun from .051 aluminum, black anodized.
- Hanger: 16 ga. steel, 1 x 4-15/16 with slots for #10 screws; mounts canopy to customer ceiling box.
- Switch housing: 20 ga. steel, black anodized.
- Hood: Spun from .051 aluminum; powder coat finish.

PULL DOWN ASSEMBLY:

- Kord: 18/3 ga., type SJT conductor, black, 1" dia.; grounded to cable.
- Unit has positive stop in any position.
- Units are completely wired and assembled.
- Install on 4" standard ceiling box.
- Do not mount closer than 16" above non-metallic surface for 250 Watts.

ELECTRICAL COMPONENTS:

- Toggle switch.
- Socket: Porcelain.
- Lamp: 250 Watts, red.

POWER REQUIREMENTS:

- 250 Watts, 120 Volts, 60 Hz., single phase, 2 Amps., 15 Amp. service.

SHORT FORM SPECIFICATIONS

Cres Cor Retractable Ceiling Mounted Infra Red Warmer Model IFW-63-_____. Hood .051 spun aluminum; powder coat finish (color: _____). O.A. length: _____. Canopy holds cord reel. 250 Watts, 120 Volts, 60 Hz., 1 Phase, 15 Amp. service. 2-Year Parts / 1-Year Labor warranty. Provide the following accessories: _____
_____. NSF, CSA-US, CSA-C Listed.



5925 Heisley Road • Mentor, OH 44060-1833
Phone: 877/CRESCOR • Fax: 440/350-7267
www.crescor.com

© Crescent Metal Products, Inc. 2013 All rights reserved.

In line with its policy to continually improve its products, CRES COR reserves the right to change materials and specifications without notice.

Litho in U.S.A.