



# HOSHIZAKI

## Parts List

Self-Contained Crescent Cuber

Models

KM-81BAJ

KM-116BAJ

KM-161BAJ, BWJ



[hoshizakiamerica.com](http://hoshizakiamerica.com)

Number: 71431  
Issued: 7-8-2020

## CONTENTS

Auxiliary Codes.....	3
Note About Ordering Parts .....	3
A. Main Assembly .....	4
B. Refrigeration Circuit.....	7
KM-81BAJ, KM-116BAJ, KM-161BAJ.....	7
KM-161BWJ .....	9
C. Water Circuit.....	11
D. Control Box Assembly.....	14
E. Accessories & Labels .....	15

## **Auxiliary Codes**

### **KM-81BAJ**

J-0 April 2019

### **KM-116BAJ**

J-0 April 2019

### **KM-161BAJ**

J-0 April 2019

### **KM-161BWJ**

J-0 April 2019

## **Auxiliary Code Breakdown**

The auxiliary code is the first two characters in the serial number. The first character indicates the year. Years progress or regress in alphabetical order. The series runs from "A" through "V" and the letters "I" and "O" are skipped. The second character indicates significant part changes within a year. Base is "0" and this number advances for each change. In cases where there is a letter in parentheses, this designates the month. This is the last character in the serial number. The series runs from "(A)" through "(M)" and the letter "(I)" is skipped. This designation is only included when identifying a parts change within an auxiliary code.

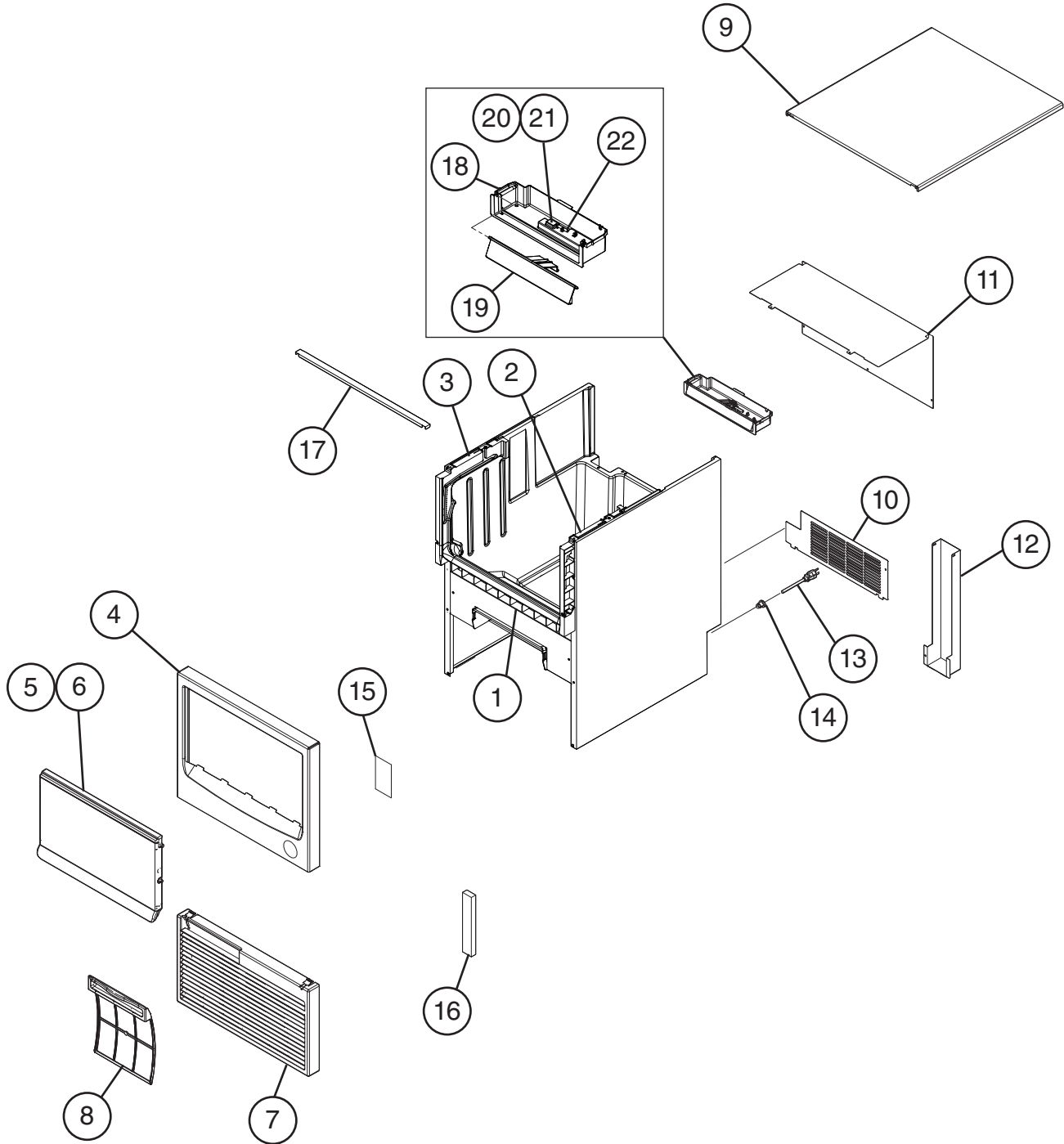
## **Note About Ordering Parts**

Most assemblies cannot be ordered as complete units; parts in the assemblies generally must be ordered separately.

# A. Main Assembly

KM-81BAJ, KM-116BAJ, KM-161BAJ, KM-161BWJ

J-0



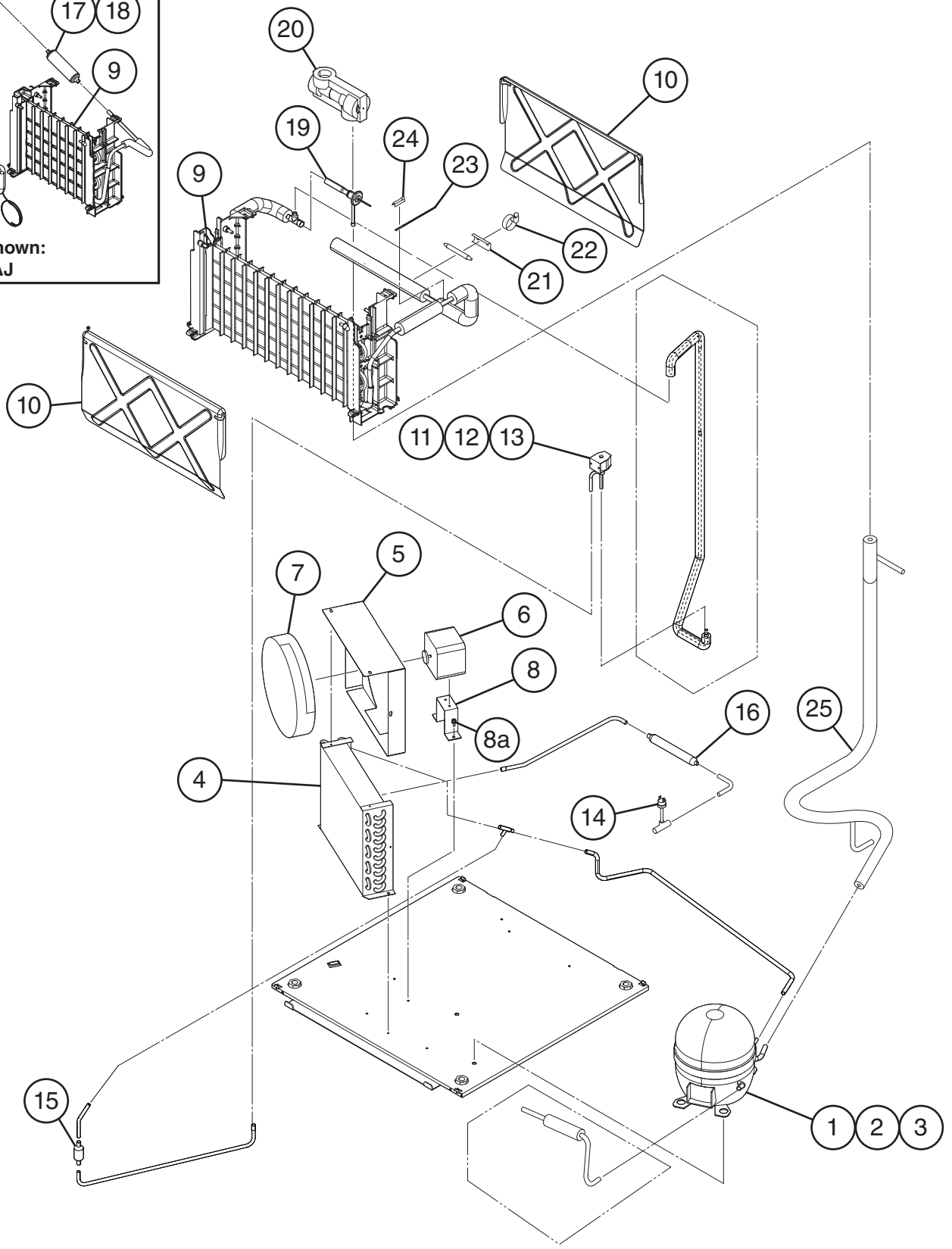
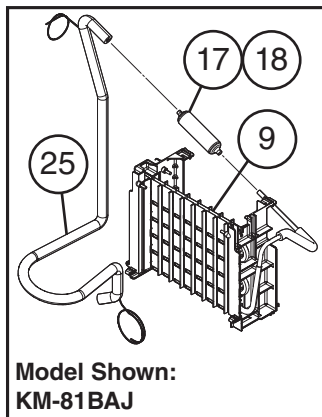
Title: A. Main Assembly Model: KM-81BAJ, KM-116BAJ, KM-161BAJ, KM-161BWJ												
Index No.	Description	Material or Model Number	Part Number	Required Number								
				J-0								
<b>Main Assembly</b>												
1	Front Frame	KM-81BAJ	250744-01	1								
		KM-116BAJ, KM-161B_J	250745-01	1								
2	Right Rail		124932P01	1								
3	Left Rail		124933P01	1								
4	Front Panel	KM-81BAJ	2A9163G01	1								
		KM-116BAJ, KM-161B_J	2A9130G01	1								
5	Door (replace with 4 pieces of item 6)	KM-81BAJ	374533G02	1								
		KM-116BAJ, KM-161B_J	369051G01	1								
6	Collar		481481P02	4								
7	Louver	KM-81BAJ	117636-01	1								
		KM-116BAJ, KM-161B_J	117635-01	1								
8	Air Filter	KM-81BAJ	250728G01	1								
		KM-116BAJ, KM-161B_J	250727G01	1								
9	Top Panel Assembly	KM-81BAJ	2A9131A08	1								
		KM-116BAJ	2A9131A07	1								
		KM-161B_J	2A9131A09	1								
10	Rear Cover	KM-81BAJ	368311-01	1								
		KM-116BAJ	368312-01	1								
		KM-161BAJ	368313-01	1								
		KM-161BWJ	371349M01	1								
11	Rear Panel	KM-81BAJ	370654M02	1								
		KM-116BAJ	370654M01	1								
		KM-161B_J	370654M03	1								
12	Pipe Cover	KM-81BAJ KM-116BAJ	368305-01	1								
		KM-161B_J	368305-02	1								
13	Power Supply Cord		P00004-01	1								
14	Bushing		420472-02	1								
15	Overflow Seal	KM-81BAJ	472471P01	1								
		KM-116BAJ, KM-161B_J	4Y4321P01	1								
16	Air Guard	KM-81BAJ	470302-01	1								
		KM-116BAJ, KM-161BAJ	470302-02	1								
		KM-161BWJ	371347M01	1								
17	Rail Brace	KM-81BAJ	482685M01	1								
		KM-116BAJ, KM-161B_J	384405M01	1								

Title: A. Main Assembly Model: KM-81BAJ, KM-116BAJ, KM-161BAJ, KM-161BWJ												
Index No.	Description	Material or Model Number	Part Number	Required Number								
				J-0								
18	Mechanical Bin Control Housing	<b>KM-81BAJ</b>	4A6595G01	1								
		<b>KM-116BAJ, KM-161B_J</b>	4A6594G01	1								
19	Mechanical Bin Control Actuator	<b>KM-81BAJ</b>	371150G01	1								
		<b>KM-116BAJ, KM-161B_J</b>	371152G01	1								
20	Mechanical Bin Control		431788-02	1								
21	Mechanical Bin Control Switch Cover		470314-01	1								
22	Silicone Hose	L=680 mm	773013656	1								

# B. Refrigeration Circuit

## KM-81BAJ, KM-116BAJ, KM-161BAJ

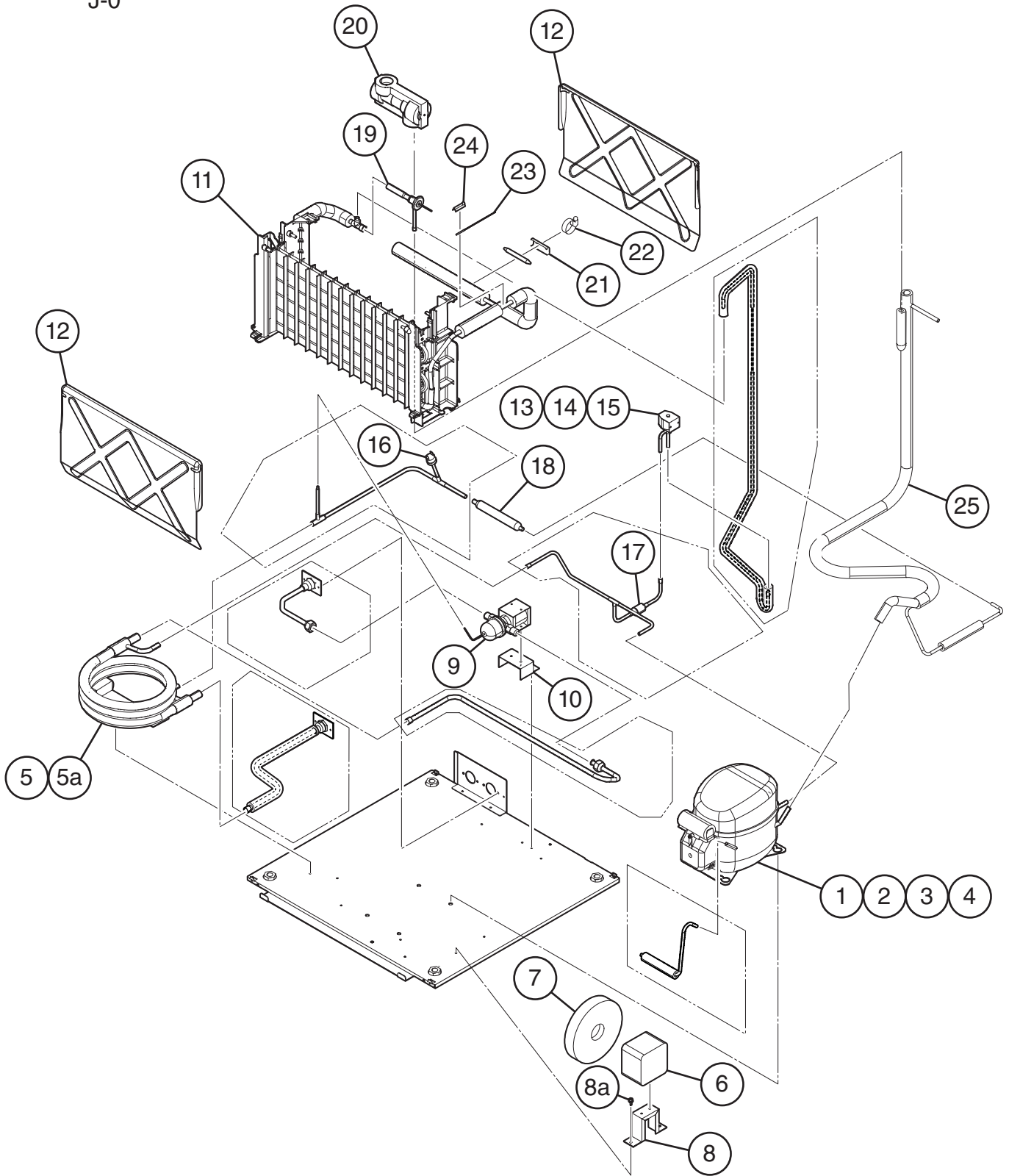
J-0



Title: B. Refrigeration Circuit Model: KM-81BAJ, KM-116BAJ, KM-161BAJ												
Index No.	Description	Material or Model Number	Part Number	Required Number								
				J-0								
1	Compressor	KM-81BAJ	P00023-01	1								
		KM-116BAJ	P00024-01	1								
		KM-161BAJ	P00025-01	1								
2	PTC Start Relay	KM-81BAJ	P00354-01	1								
		KM-116BAJ	P00359-01	1								
		KM-161BAJ	438849-01	1								
3	Motor Protector	KM-81BAJ	456254-01	1								
		KM-116BAJ	P00360-01	1								
		KM-161BAJ	P00363-01	1								
4	Condenser	KM-81BAJ	P00003-01	1								
		KM-116BAJ	P00028-01	1								
		KM-161BAJ	P00030-01	1								
5	Shroud	KM-81BAJ	368317-01	1								
		KM-116BAJ	368318-01	1								
		KM-161BAJ	3B0352-01	1								
6	Fan Motor	KM-81BAJ	384355G01	1								
		KM-116BAJ, KM-161BAJ	384356G01	1								
7	Fan Blade		P00006-01	1								
8	Fan Motor Bracket		470291-01	1								
8a	Bolt		436206-03	2								
9	Evaporator	KM-81BAJ	2A9161G01	1								
		KM-116BAJ	2A9148G01	1								
		KM-161BAJ	2A9133G01	1								
10	Separator	KM-81BAJ	250749-02	2								
		KM-116BAJ	250749-01	2								
		KM-161BAJ	250749-03	2								
11	Hot Gas Valve		4A3275-01	1								
12	Coil Valve		384347G01	1								
13	Bolt		4A3277F01	1								
14	High-Pressure Switch	KM-161BAJ	463180-02	1								
15	Strainer	KM-81BAJ	441569-01	1								
		KM-116BAJ, KM-161BAJ	441569-02	1								
16	Drier	KM-81BAJ, KM-116BAJ	P00007-01	1								
		KM-161BAJ	458776-01	1								
17	Accumulator	KM-81BAJ	P00010-01	1								
		KM-116BAJ	P00010-02	1								
18	Accumulator Cover	KM-81BAJ, KM-116BAJ	7762-3555	1								
19	Thermostatic Expansion Valve	KM-161BAJ	P00318-01	1								
20	Thermostatic Expansion Valve Cover	KM-161BAJ	369332Z01	1								
21	Thermostatic Expansion Valve Holder	KM-161BAJ	451267-01	1								
22	Clamp	KM-161BAJ	443461-01	1								
23	Thermistor		P00027-01	1								
24	Thermistor Holder		436455-01	1								
25	Heat Exchanger	KM-81BAJ	2A9160G01	1								
		KM-116BAJ	2A9149G01	1								
		KM-161BAJ	2A9134G01	1								

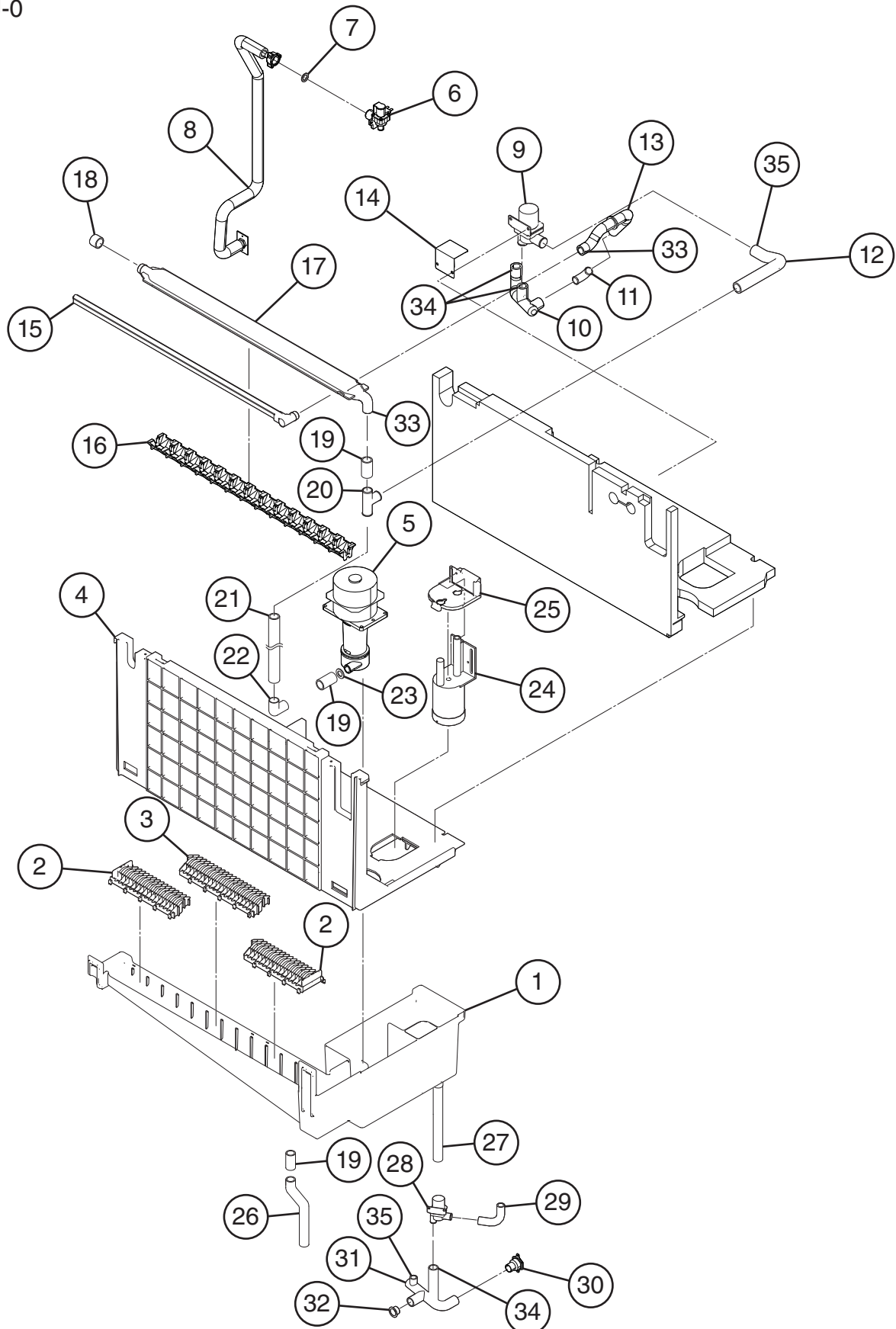


**B. Refrigeration Circuit**  
**KM-161BWJ**  
J-0



Title: B. Refrigeration Circuit Model: KM-161BWJ												
Index No.	Description	Material or Model Number	Part Number	Required Number								
				J-0								
1	Compressor		P04286-01	1								
2	PTC Start Relay		P04291-01	1								
3	Start Capacitor	189-227MFD, 165VAC	P04288-01	1								
4	External Protector		P04290-01	1								
5	Condenser		P01539-01	1								
5a	Flange Bolt		7B0230512	4								
6	Fan Motor		384355G01	1								
7	Fan Blade		P01056-01	1								
8	Fan Motor Bracket		470291-01	1								
8a	Bolt		436206-03	2								
9	Water Regulating Valve		P04020-01	1								
10	Water Regulating Valve Bracket		371348M01	1								
11	Evaporator		2A9133G01	1								
12	Separator		250749-03	2								
13	Hot Gas Valve		4A3275-01	1								
14	Coil Valve		384352G01	1								
15	Bolt		4A3277F01	1								
16	High-Pressure Switch		463180-02	1								
17	Strainer		441569-02	1								
18	Drier		458776-01	1								
19	Thermostatic Expansion Valve		P00318-01	1								
20	Thermostatic Expansion Valve Cover		369332Z01	1								
21	Thermostatic Expansion Valve Holder		451267-01	1								
22	Clamp		443461-01	1								
23	Thermistor		P00027-01	1								
24	Thermistor Holder		436455-01	1								
25	Heat Exchanger		2A9140G01	1								

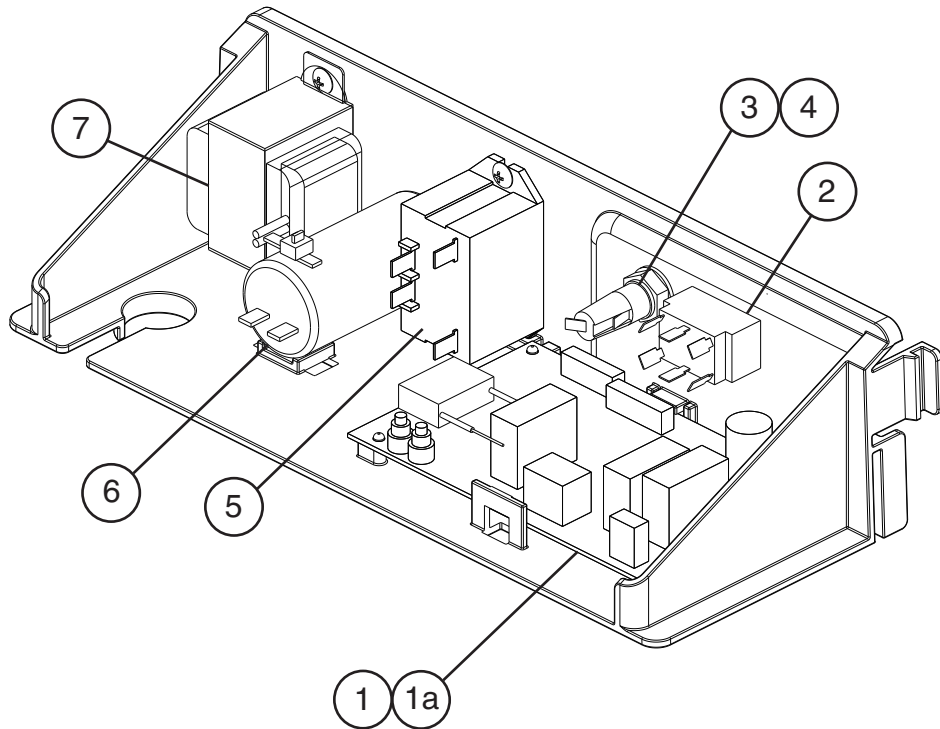
**C. Water Circuit**  
**KM-81BAJ, KM-116BAJ, KM-161B\_J**  
 J-0



Title: C. Water Circuit Model: KM-81BAJ, KM-116BAJ, KM-161B_J												
Index No.	Description	Material or Model Number	Part Number	Required Number								
				J-0								
1	Water Tank	KM-81BAJ	117637-01	1								
		KM-116BAJ	117638-01	1								
		KM-161B_J	117639-01	1								
2	Cube Guide A		250742-01	2								
3	Cube Guide B	KM-116BAJ	250741-01	1								
		KM-161B_J	250740-01	1								
4	Ice Making Bracket	KM-81BAJ	117630-01	1								
		KM-116BAJ	117631-01	1								
		KM-161B_J	117632-01	1								
5	Pump Motor	KM-81BAJ	384354G01	1								
		KM-116BAJ, KM-161B_J	384346G01	1								
6	Inlet Water Valve	KM-81BAJ, KM-116BAJ	3U0152-01	1								
		KM-161B_J	3U0133-01	1								
7	Rubber Gasket		413854-03	1								
8	Water Supply Pipe	KM-81BAJ	4A6705G01	1								
		KM-116BAJ	4A6701G01	1								
		KM-161B_J	4A6685G01	1								
9	Cleaning Valve		384353G01	1								
10	Water Supply Pipe (A)		384395R01	1								
11	Elbow		470303-01	1								
12	Bypass Hose		374229R01	1								
13	Water Supply Pipe (B)		374228R01	1								
14	Drain Valve Cover		482837M01	1								
15	Water Supply Tube	KM-81BAJ	250743-02	1								
		KM-116BAJ	250743-01	1								
		KM-161B_J	250743-03	1								
16	Spray Guide	KM-81BAJ	252052P02	1								
		KM-116BAJ	252052P01	1								
		KM-161B_J	252052P03	1								
17	Spray Tube	KM-81BAJ	250746-02	1								
		KM-116BAJ	250746-01	1								
		KM-161B_J	250746-03	1								
18	Spray Tube Cap		370777R01	1								
19	Silicone Hose	L=90 mm	7730-1519	3								
20	Tee		470312-01	1								
21	Silicone Hose	L=280 mm	7730-1519	1								
22	Elbow		417703-01	1								
23	Washer	KM-81BAJ	4Y4194P01	1								
		KM-116BAJ, KM-161B_J	4Y4194P02	1								
24	Float Switch		4A3624-04	1								
25	Float Switch Bracket	KM-161B_J	368339-01	1								
26	Overflow Pipe	KM-81BAJ	369038P01	1								
		KM-116BAJ	369038P02	1								
		KM-161B_J	369038P03	1								
27	Silicone Hose	L=150 mm	7730-1519	1								

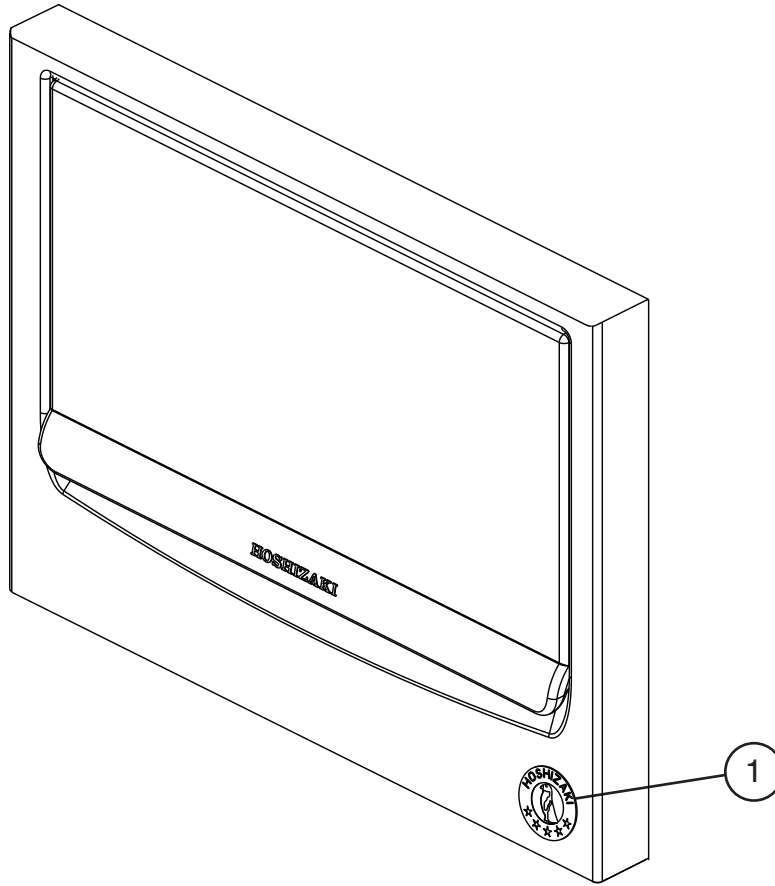
<b>Title: C. Water Circuit    Model: KM-81BAJ, KM-116BAJ, KM-161B_J</b>												
Index No.	Description	Material or Model Number	Part Number	Required Number								
				J-0								
28	Drain Valve		384352G01	1								
29	Drain Valve Hose		470304-01	1								
30	Drain Fitting		2A9337G01	1								
31	Drain Hose		370704R01	1								
32	Drain Cap		472250P01	1								
<b>Hose Clamps</b>												
33	Hose Clamp	16.5 mm	427443-04	2								
34	Hose Clamp	18 mm	427443-05	3								
35	Hose Clamp	20 mm	427443-06	2								

**D. Control Box Assembly**  
**KM-81BAJ, KM-116BAJ, KM-161B\_J**  
 J-0



Title: D. Control Box Assembly    Model: KM-81BAJ, KM-116BAJ, KM-161B_J					Required Number						
Index No.	Description	Material or Model Number	Part Number	J-0							
1	Control Board		P01771-02	1							
2	Toggle Switch		P00033-01	1							
3	Fuse Holder		P00014-01	1							
4	Fuse	5A, 250VAC	P01143-01	1							
5	Power Relay	30A	449000-01	1							
6	Start Capacitor	<b>KM-116BAJ,</b> <b>KM-161BAJ</b> 100MFD, 160VAC	4Y1175-01	1							
7	Control Transformer		3A4395-01	1							

**E. Accessories & Labels**  
**KM-81BAJ, KM-116BAJ, KM-161B\_J**  
 J-0



Title: E. Accessories & Labels Model: KM-81BAJ, KM-116BAJ, KM-161BAJ										
Index No.	Description	Material or Model Number	Part Number	Required Number						
				J-0						
1	Penguin Label		475552L02	1						
2	Leg		4A2525-01	4						
3	Scoop		1H4123P02	1						