



KML-700M_J

LOW-PROFILE MODULAR CRESCENT CUBER



KML-700M_J
01/21/18
Item # 13400

Item #: _____
 Project: _____
 Qty: _____
 AIA#: _____

W x D x H
30" x 27^{3/8"} x 26"

Shipping Dimensions
33^{1/4"} x 33^{1/2"} x 32"

KM Edge
DESIGN

KML-700MAJ

Air-Cooled

Shown on optional bin B-500

KML-700MWJ

Water-Cooled

KML-700MRJ ★

Remote Air-Cooled



Features

- ▶ Individual crescent cube
- ▶ Stainless steel evaporator
- ▶ CycleSaver™ design

- Up to 756 lbs. of ice production per 24 hours
- Durable stainless steel exterior
- Protected by H-GUARD Plus Antimicrobial Agent
- EverCheck™ alert system
- Removable air filters (Air-cooled model only)
- R-404A Refrigerant

Available on Bins:

B-250PF **B-800PF/SF** **B-1150SS** **B-1650SS***
B-500PF/SF **B-900PF/SF** **B-1300SS** **DB-200H**
B-700PF/SF **B-1150SS** **B-1500SS*** **DM-200B**

*Top kit may be required. See Bin Spec Sheets. *Two unit application only.*

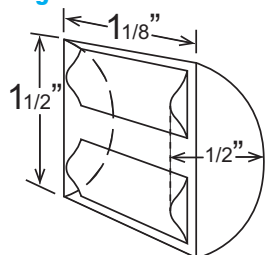
Warranty:

3 Year Parts & Labor on entire machine. 5 Year Parts & Labor on Evaporator. 5 Year Parts on Compressor; air-cooled condenser coil. Valid in United States, Canada, Puerto Rico and U.S. Territories. Contact factory for warranty in other countries.



Condenser	Model	ICE PRODUCTION		WATER USAGE			ELECTRICAL						
		Air / Water Temp Lbs. per 24 hours 70°/ 50°F 90°/ 70°F		Potable Gal. per 100 lbs. 90°/ 70°F	Condenser Gal. per 100 lbs. 90°/ 70°F	kWh Used per 100 lbs. 90°/ 70°F	Max. Fuse Sz or HACR Circuit Bkr	Amperage	Voltage	Circuit Wires (including ground)	Heat Rejection BTU/hr.	Refrigerant Charge Amount	Net / Ship Weight (lbs.)
Air	KML-700MAJ	658	572	16.0	N/A	5.16	20A	14.2A	115V/60/1	3	11,300	2 lb. 10.3 oz.	200 / 220
Water	KML-700MWJ	756	730	16.0	111	3.61	20A	12.6A	115V/60/1	3	12,600	1 lb. 6 oz.	200 / 220
Remote	KML-700MRJ	742	643	16.0	N/A	4.70	20A	16.0A	115V/60/1	3	11,200	11 lb. 7.4 oz. (with condenser)	200 / 220

KM Edge Cube Dimensions*



* approximate size in inches, image not to scale

Operating Limits

- Ambient Temp Range 45 - 100°F
- Water Temp Range 45 - 90°F
- Water Pressure 10 - 113 PSIG
- Voltage Range 104 - 127V

Service

- Allow 6" (15 cm) clearance at rear, sides, and top for proper air circulation and ease of maintenance/service.
- Removable air filters (air-cooled model only).

Plumbing

- Icemaker Water Supply Line: Min. 1/4" Nominal ID Copper Water Tubing or Equivalent
- Icemaker Drain Line: Min. 3/4" Nominal ID Hard Pipe or Equivalent
- Water-Cooled Model (Lines Must Be Independent of Icemaker)
- Condenser Water Supply Line: Min. 1/4" Nominal ID Copper Water Tubing or Equivalent
- Condenser Drain/Return Line: Min. 1/4" Nominal ID Hard Pipe (open drain system) or Copper Water Tubing (closed loop system) or Equivalent

Water Filter

Please refer to water filter spec sheet for recommended configurations.

Hoshizaki reserves the right to change specifications without notice.



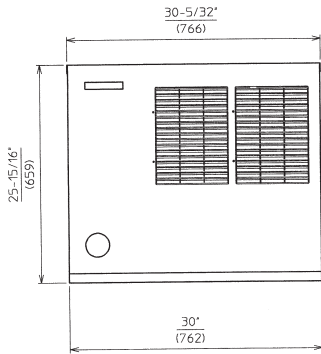
KML-700M_J

LOW-PROFILE MODULAR CRESCENT CUBER

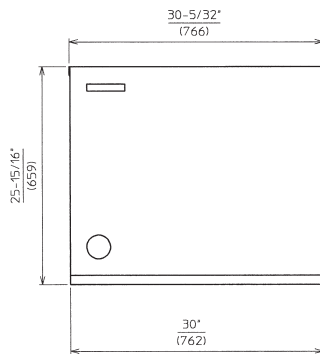


KML-700M_J
01/21/18
Item # 13400

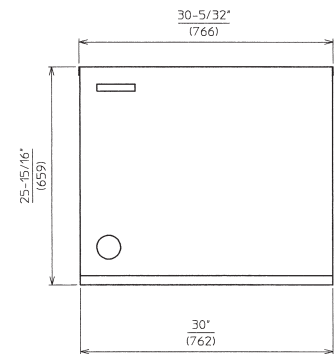
FRONT VIEW



AIR-COOLED

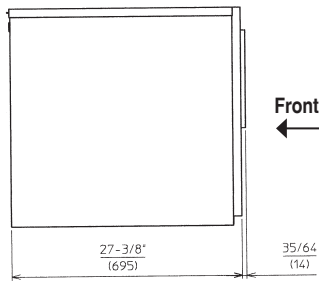


WATER-COOLED

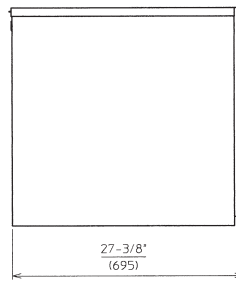


REMOTE AIR-COOLED

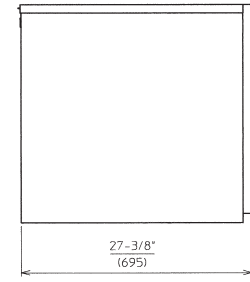
SIDE VIEW



AIR-COOLED

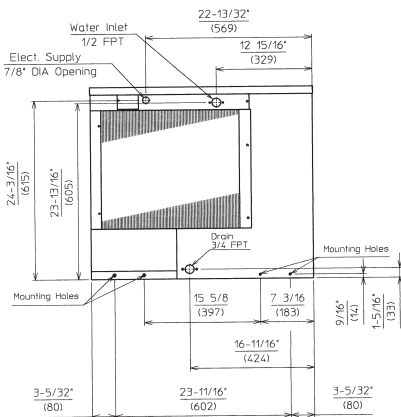


WATER-COOLED

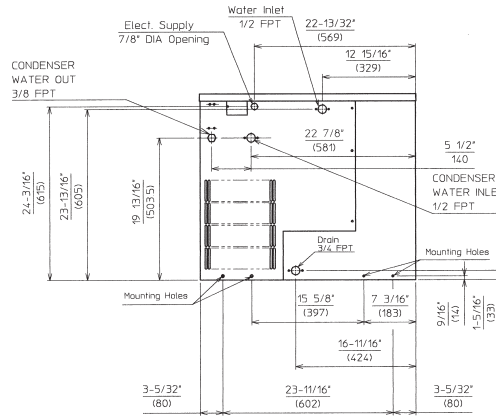


REMOTE AIR-COOLED

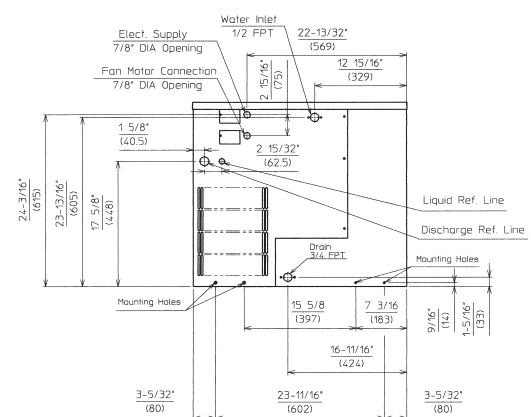
REAR VIEW



AIR-COOLED

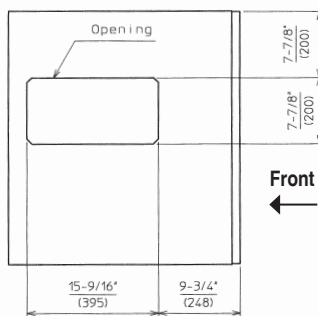


WATER-COOLED



REMOTE AIR-COOLED

BOTTOM VIEW



AIR-COOLED
WATER-COOLED
REMOTE AIR-COOLED

Pre-Charged Tubing Kits
(Sold Separately)
20' R404-2068-2
35' R404-3568-2
55' R404-5568-2



Voltage supply for the URC Remote Condenser is supplied from the Ice Maker. No additional circuit is required.

URC-9F Remote Condenser (Sold Separately)
(W x D x H) 35 11/16 x 14 1/16 x 36 1/2
For Use with KML-700MRJ

