



HOSHIZAKI

Parts List

Modular Flaker

Models

F-1501MAJ(-C), MWJ(-C), MRJ(-C)



hoshizakiamerica.com

Number: 71374
Issued: 2-3-2017

CONTENTS

Note About Ordering Parts	3
A. Main Assembly & Refrigeration Circuit	4
F-1501MAJ(-C)	4
F-1501MWJ(-C)	6
F-1501MRJ(-C)	8
B. Icemaking Unit	10
C. Water Circuit	12
D. Control Box Assembly	14
E. Accessories & Labels	16

Auxiliary Codes

F-1501MAJ

F-0 June 2016
G-0 January 2017

F-1501MAJ-C

F-0 June 2016
G-0 January 2017

F1501MWJ

F-0 June 2016

F-1501MWJ-C

F-0 June 2016
G-0 January 2017

F-1501MRJ

F-0 June 2016

F-1501MRJ-C

F-0 June 2016
G-0 January 2017

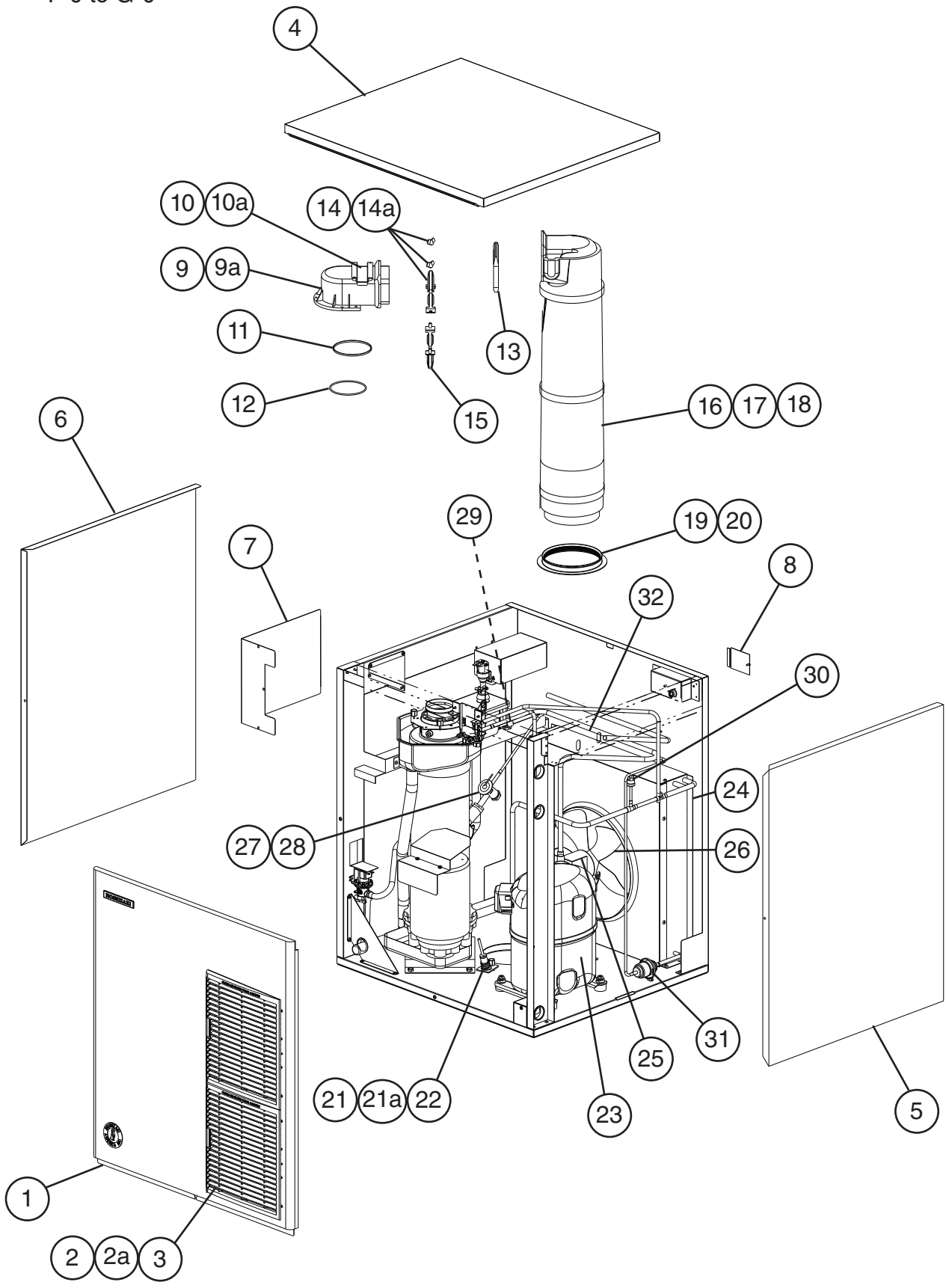
Auxiliary Code Breakdown

The auxiliary code is the first two characters in the serial number. The first character indicates the year. Years progress or regress in alphabetical order. The series runs from "A" through "V" and the letters "I" and "O" are skipped. The second character indicates significant part changes within a year. Base is "0" and this number advances for each change. In cases where there is a letter in parentheses, this designates the month. This is the last character in the serial number. The series runs from "(A)" through "(M)" and the letter "(I)" is skipped. This designation is only included when identifying a parts change within an auxiliary code.

Note About Ordering Parts

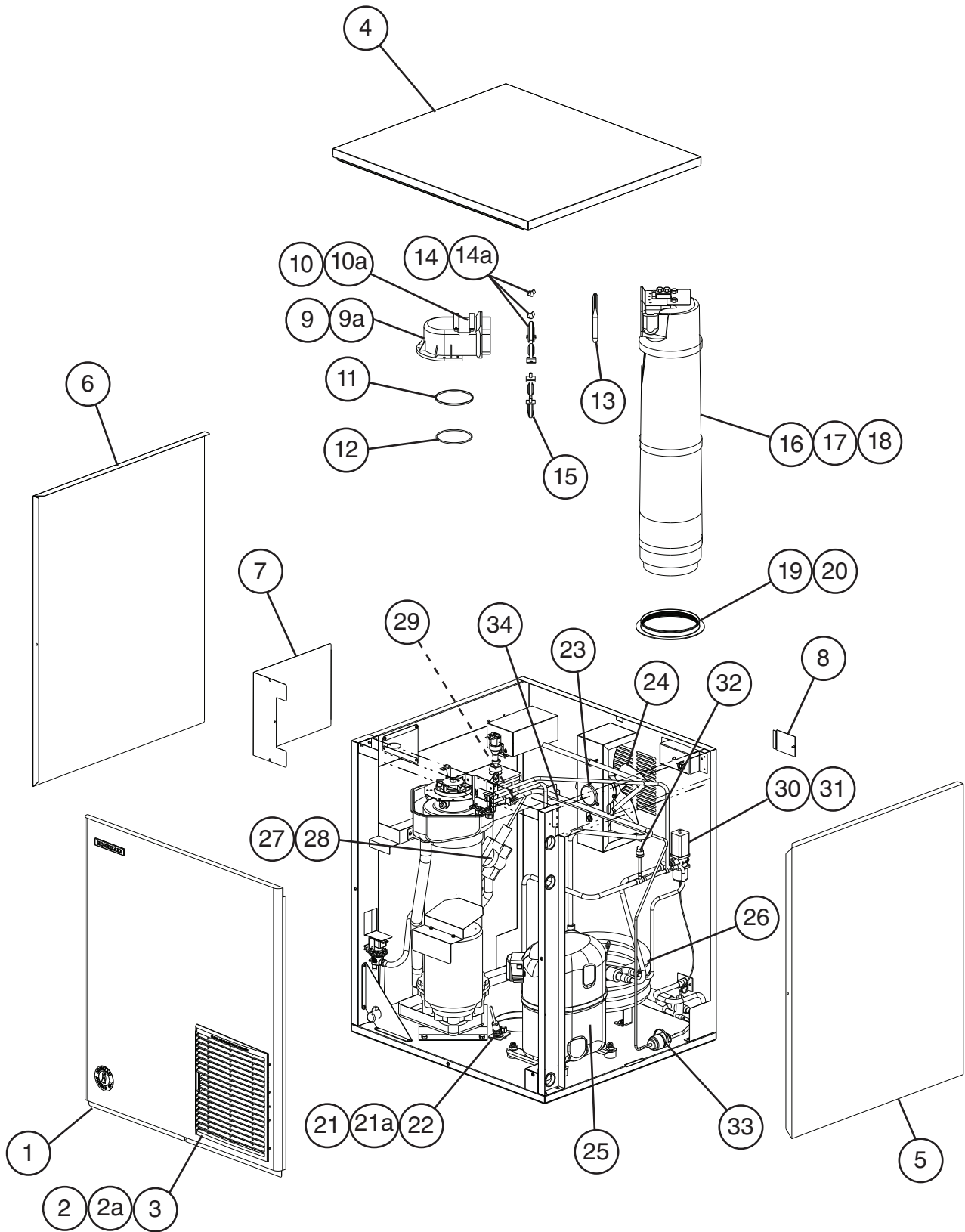
Most assemblies cannot be ordered as complete units; parts in the assemblies generally must be ordered separately.

A. Main Assembly & Refrigeration Circuit
F-1501MAJ(-C)
 F-0 to G-0



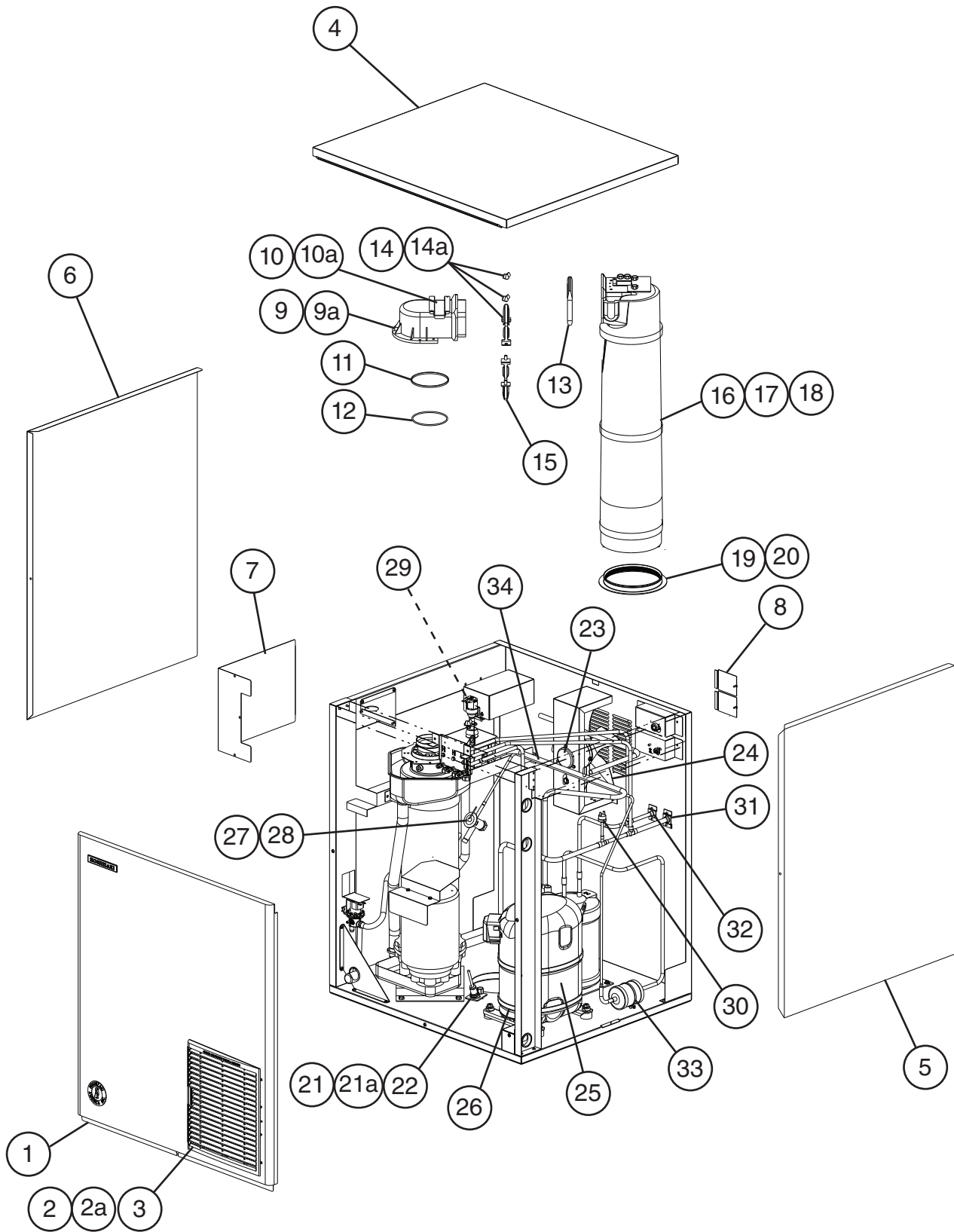
Title: A. Main Assembly & Refrigeration Circuit Model: F-1501MAJ(-C)												
Index No.	Description	Material or Model Number	Part Number	F-0 to G-0	Required Number							
Main Assembly												
1	Front Panel		2A2203-01	1								
2	Louver		1A0547-01	2								
2a	Push Retainer		4A2414-01	6								
3	Air Filter		2A2062G01	2								
4	Top Panel		2A8088-01	1								
5	Right Side Panel		2A2077G01	1								
6	Left Side Panel		2A2076G01	1								
7	Control Box Cover		3A7897-01	1								
8	Junction Box Cover		433410-01	1								
9	Spout		105378G01	1								
9a	Thumbscrew		415949G11	3								
10	Spout Cover		4A5174-01	1								
10a	Truss Head Screw		7C32-0408	2								
11	"O"-Ring		4A4755-05	1								
12	Nylon Ring		431736-01	1								
13	Spout-to-Chute Packing		327040-01	1								
14	Upper Strap		3A6912-02	1								
14a	Wing Nut		7E12-0600	2								
15	Lower Strap		3A6913G01	1								
16	Chute		216219-04	1								
17	Chute Insulation		216220-01	1								
18	Chute Tie		436531G02	3								
19	Chute Packing		432877-02	1								
20	Ring		327427-01	1								
21	Bin Control Housing (infrared sensor)		3A3478-01	1								
21a	Thumbscrew		415949G11	1								
22	Bin Control (infrared sensor)		4A4469-01	1								
Refrigeration Circuit												
23	Compressor		4A1539-03	1								
24	Condenser		2A2215-01	1								
25	Fan Motor		4A3158-01	1								
26	Fan Blade		4A0197-01	1								
27	Thermostatic Expansion Valve		4A1117-01	1								
28	Thermostatic Expansion Valve Cover		4A1168-01	1								
29	Thermostatic Expansion Valve Bulb Holder		4A5641-01	1								
30	High-Pressure Switch		463180-05	1								
31	Drier		4A1113-01	1								
32	Heat Exchanger		3A2978G01	1								

A. Main Assembly & Refrigeration Circuit
F-1501MWJ(-C)
 F-0 to G-0



Title: A. Main Assembly & Refrigeration Circuit Model: F-1501MWJ(-C)											
Index No.	Description	Material or Model Number	Part Number	Required Number							
				F-0 to G-0							
Main Assembly											
1	Front Panel		2A2646-01	1							
2	Louver		1A0547-01	1							
2a	Push Retainer		4A2414-01	3							
3	Air Filter		2A2062G01	1							
4	Top Panel		2A8088-01	1							
5	Right Side Panel		2A2077G01	1							
6	Left Side Panel		2A2076G01	1							
7	Control Box Cover		3A7897-01	1							
8	Junction Box Cover		433410-01	1							
9	Spout		105378G01	1							
9a	Thumbscrew		415949G11	3							
10	Spout Cover		4A5174-01	1							
10a	Truss HEAD SCREW		7C32-0408	2							
11	"O"-Ring		4A4755-04	1							
12	Nylon Ring		431736-01	1							
13	Spout-to-Chute Packing		327040-01	1							
14	Upper Strap		3A6912-02	1							
14a	Wing Nut		7E12-0600	2							
15	Lower Strap		3A6913G01	1							
16	Chute		216219-04	1							
17	Chute Insulation		216220-01	1							
18	Chute Tie		436531G02	3							
19	Chute Packing		432877-02	1							
20	Ring		327427-01	1							
21	Bin Control Housing (infrared sensor)		3A3478-01	1							
21a	Thumbscrew		415949G11	1							
22	Bin Control (infrared sensor)		4A4469-01	1							
23	Fan Motor		440917-01	1							
24	Fan Blade		434959-01	1							
Refrigeration Circuit											
25	Compressor		4A1539-03	1							
26	Condenser		3A7236-01	1							
27	Thermostatic Expansion Valve		4A1117-01	1							
28	Thermostatic Expansion Valve Cover		4A1168-01	1							
29	Thermostatic Expansion Valve Bulb Holder		4A5641-01	1							
30	Water Regulating Valve		4A0911-08	1							
31	Male Connector		4A0770-01	1							
32	High-Pressure Switch		463180-05	1							
33	Drier		4A1113-01	1							
34	Heat Exchanger		3A3025G01	1							

A. Main Assembly & Refrigeration Circuit
F-1501MRJ(-C)
 F-0 to G-0

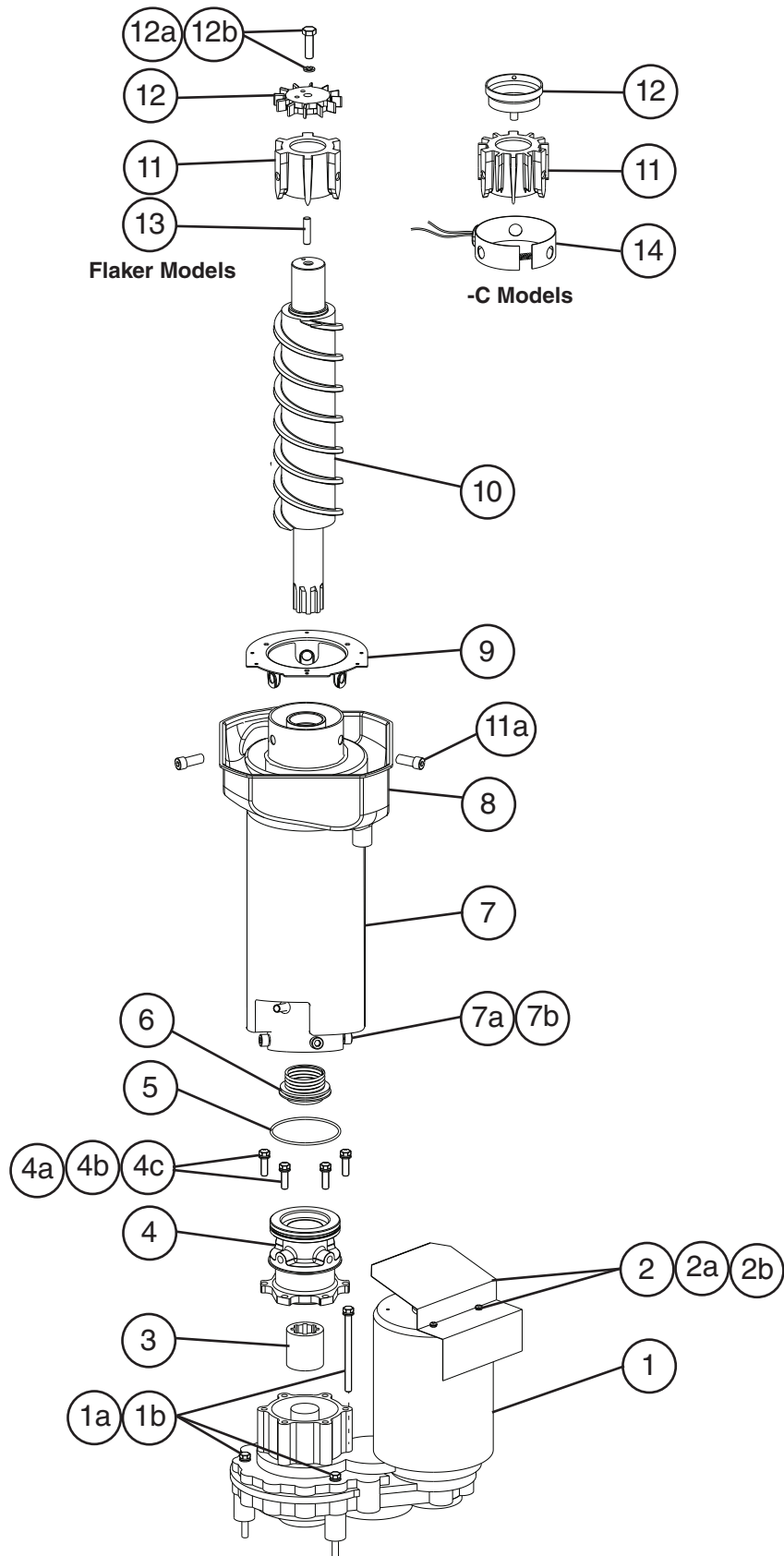


Title: A. Main Assembly & Refrigeration Circuit Model: F-1501MRJ-C													
Index No.	Description	Material or Model Number	Part Number	Required Number									
				F-0 to G-0									
Main Assembly													
1	Front Panel		2A2646-01	1									
2	Louver		1A0547-01	1									
2a	Push Retainer		4A2414-01	3									
3	Air Filter		2A2062G01	1									
4	Top Panel		2A8088-01	1									
5	Right Side Panel		2A2077G01	1									
6	Left Side Panel		2A2076G01	1									
7	Control Box Cover		3A7897-01	1									
8	Junction Box Cover		433410-01	2									
9	Spout		105378G01	1									
9a	Thumbscrew		415949G11	3									
10	Spout Cover		4A5174-01	1									
10a	Truss Head Screw		7C32-0408	2									
11	"O"-Ring		4A4755-05	1									
12	Nylon Ring		431736-01	1									
13	Spout-to-Chute Packing		327040-01	1									
14	Upper Strap		3A6912-02	1									
14a	Wing Nut		7E12-0600	2									
15	Lower Strap		3A6913G01	1									
16	Chute		216219-04	1									
17	Chute Insulation		216220-01	1									
18	Chute Tie		436531G02	3									
19	Chute Packing		432877-02	1									
20	Ring		327427-01	1									
21	Bin Control Housing (infrared sensor)		3A3478-01	1									
21a	Thumbscrew		415949G11	1									
22	Bin Control (infrared sensor)		4A4469-01	1									
23	Fan Motor		440917-01	1									
24	Fan Blade		434959-01	1									
Refrigeration Circuit													
25	Compressor		4A1539-03	1									
26	Crankcase Heater		4A5397-02	1									
27	Thermostatic Expansion Valve		4A1117-01	1									
28	Thermostatic Expansion Valve Cover		4A1168-01	1									
29	Thermostatic Expansion Valve Bulb Holder		4A5641-01	1									
30	High-Pressure Switch		463180-05	1									
31	Discharge Line Coupling		434072-01	1									
32	Liquid Line Coupling		426554-01	1									
33	Drier		4A1338-01	1									
34	Heat Exchanger		3A2995G01	1									

B. Icemaking Unit

F-1501MAJ(-C), F-1501MWJ(-C), F-1501MRJ(-C)

F-0 to G-0

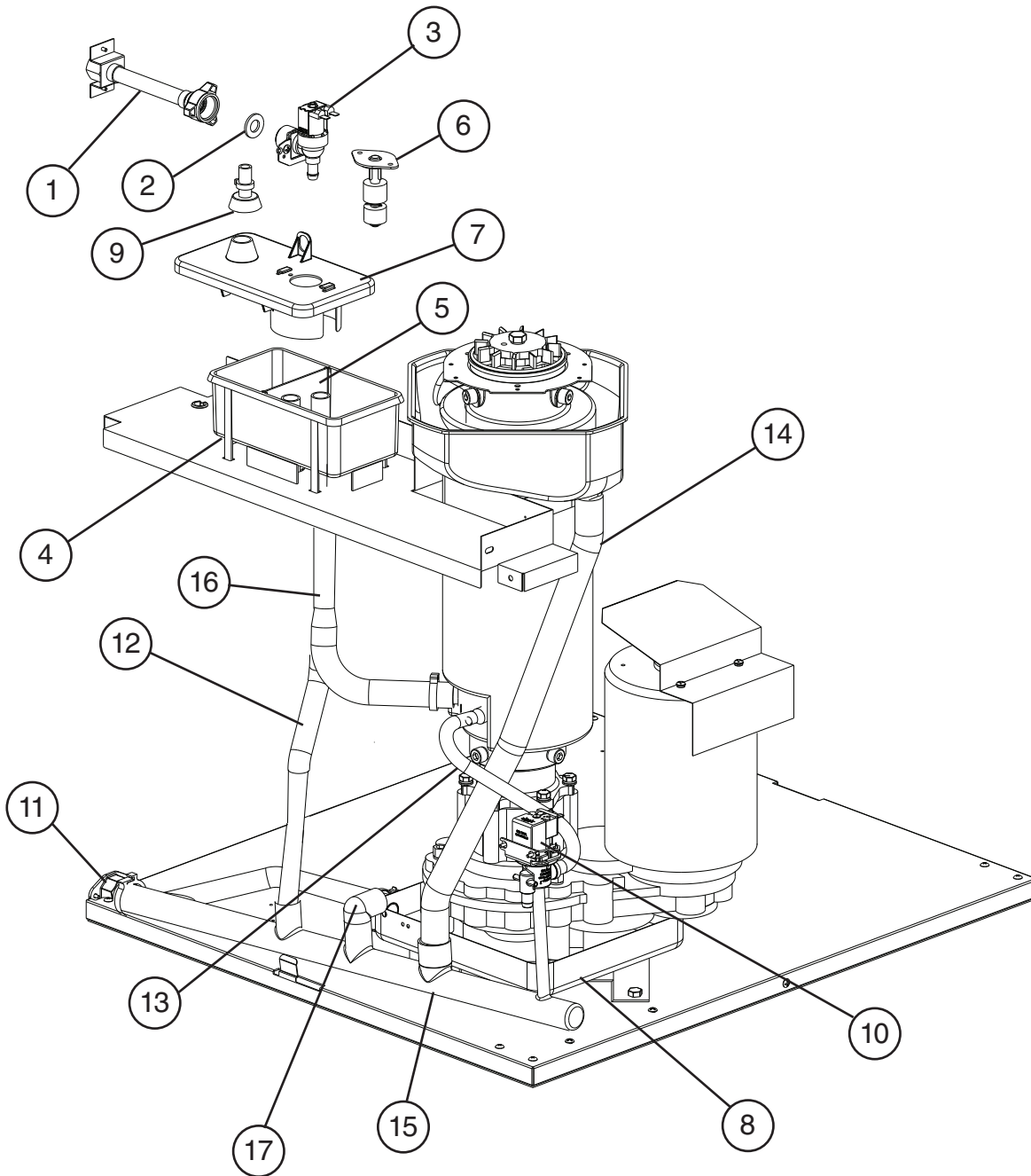


Title: B. Icemaking Unit Model: F-1501MAJ(-C), F-1501MWJ(-C), F-1501MRJ(-C)												
Index No.	Description	Material or Model Number	Part Number	F-0 to G-0	Required Number							
1	Gear Motor		2U0129-01	1								
1a	Gear Motor Bolt		420600-02	3								
1b	Washer		7L22-1000	3								
2	Gear Motor Barrier		3A1639-01	1								
2a	Truss Head Screw	4x8	7C32-0408	2								
2b	Rubber Washer		4A5268-01	2								
3	Spline Coupling		420372-01	1								
4	Housing		206509G02	1								
4a	Hex Head Bolt	8x30	4A5640-01	6								
4b	Plain Washer		7W22-0800	6								
4c	Split Lock Washer		7L22-0800	6								
5	"O" Ring		4A4755-05	1								
6	Mechanical Seal		432493-01	1								
7	Evaporator		2A7005G01	1								
7a	Socket Head Cap Screw	8x12	7S12-1020	4								
7b	Split Lock Washer		7L22-0800	4								
8	Drip Pan		2A6885-01	1								
9	Flange		352714-01	1								
10	Auger		120864G02	1								
11	Extruding Head	F-1501MAJ F-1501MWJ F-1501MRJ	216407G01	1								
		F-1501MAJ-C F-1501MWJ-C F-1501MRJ-C	2A1594G01	1								
11a	Seal Bolt		474757G02	4								
12	Cutter	F-1501MAJ F-1501MWJ F-1501MRJ	327026-01	2								
		F-1501MAJ-C F-1501MWJ-C F-1501MRJ-C	315736G01	1								
12a	Hex Head Bolt	F-1501MAJ F-1501MWJ F-1501MRJ	7B02-1035	1								
12b	Split Lock Washer	F-1501MAJ F-1501MWJ F-1501MRJ	7L22-1000	1								
13	Dowel Pin	F-1501MAJ F-1501MWJ F-1501MRJ	713S-0526	1								
14	Evaporator Heater	F-1501MAJ-C F-1501MWJ-C F-1501MRJ-C	4A4335-01	1								

C. Water Circuit

F-1501MAJ(-C), F-1501MWJ(-C), F-1501MRJ(-C)

F-0 to G-0

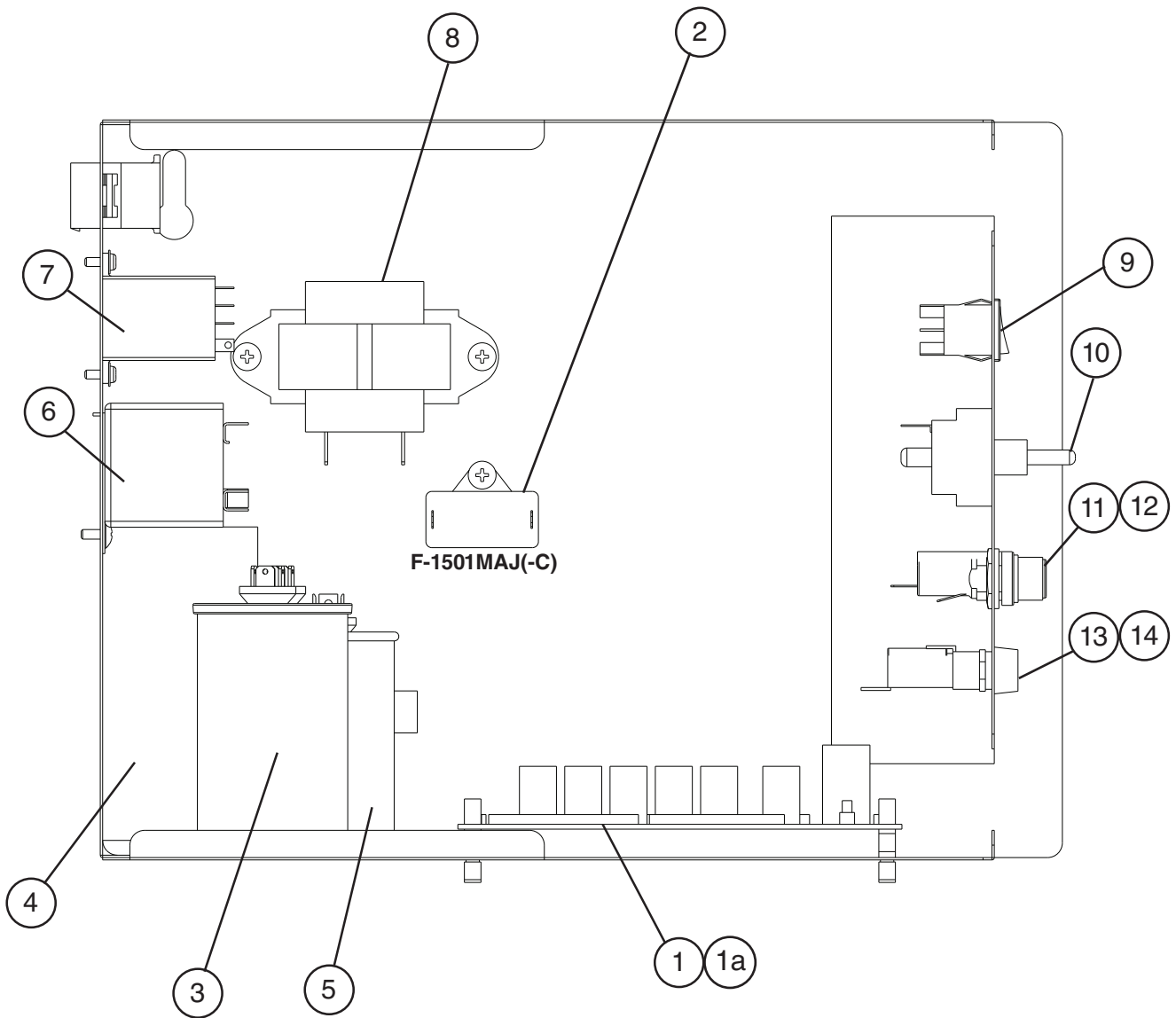


Title: C. Water Circuit Model: F-1501MAJ(-C), F-1501MWHJ(-C), F-1501MRJ(-C)											
Index No.	Description	Material or Model Number	Part Number	Required Number							
				F-0 to G-0							
1	Water Supply Pipe		4A0891G02	1							
2	Washer		413854-03	1							
3	Inlet Water Valve		4A5309-01	1							
4	Reservoir		2A0753-01	1							
5	Reservoir Separator		4A1255-01	1							
6	Float Switch		435490-01	1							
7	Reservoir Cover		214810-01	1							
8	Drain Pan		211475-01	1							
9	Inlet Reservoir		4A0869-01	1							
10	Drain Valve		4A2772-02	1							
11	Drain Fitting		4A5528-01	1							
12	Vinyl Hose (reservoir overflow)	L=510	7725-1923	1							
13	Silicone Hose (drain valve)	L=320	773013896	1							
14	Vinyl Hose (drip pan)	L=580	4A0658L01	1							
15	Drain Hose (main)		3A7490-01	1							
16	Reservoir Hose (evaporator inlet)		428615-04	1							
17	Elbow		4A5624-01	1							
Clamps											
	Hose Clamp		4A2017-01	1							
	Hose Clamp		4A2017-02	1							
	Hose Clamp		4A2017-03	1							
	Hose Clamp		4A2017-06	1							
	Hose Clamp		4A2017-08	1							

D. Control Box Assembly

F-1501MAJ(-C), F-1501MWJ(-C), F-1501MRJ(-C)

F-0 to G-0

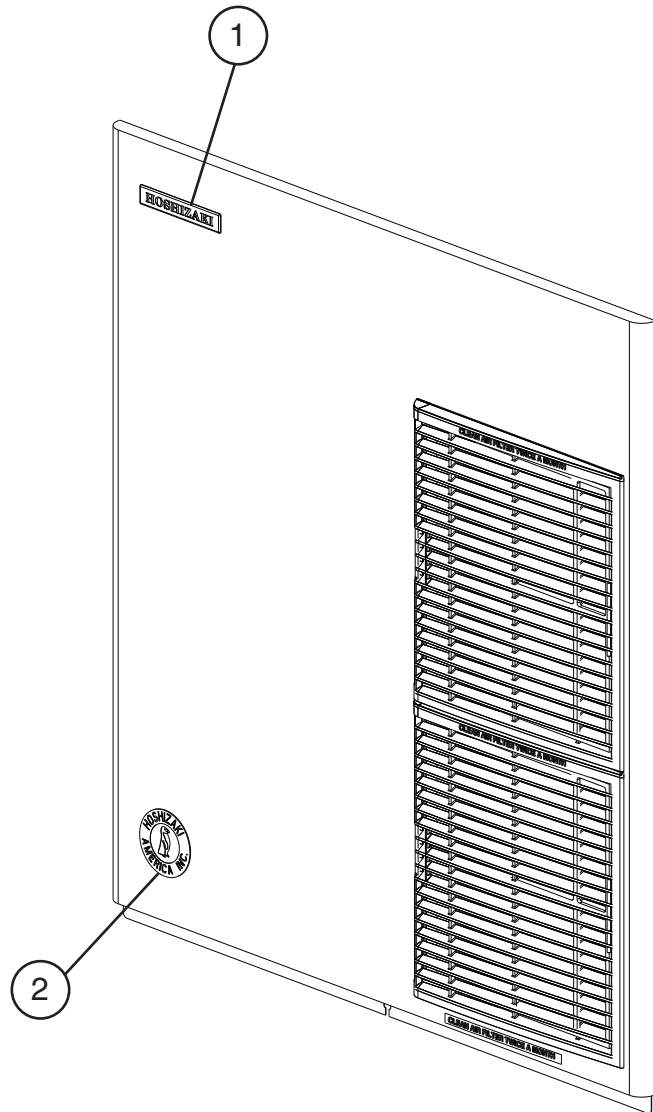


Title: D. Control Box Assembly Model: F-1501MAJ(-C), F-1501MWJ(-C), F-1501MRJ(-C)									
Index No.	Description	Material or Model Number	Part Number	Required Number					
				F-0 to G-0					
1	"F-C" Control Board		2A8054-01	1					
1a	Control Board Support		4A0336-03	4					
2	Fan Motor Capacitor	F-1501MAJ(-C) 5MFD, 250VAC	443192-02	1					
3	Gear Motor Capacitor	24MFD, 250VAC	4A5450-01	1					
4	Start Capacitor	108-130MFD, 250VAC	3A0076-11	1					
5	Run Capacitor	25MFD, 370VAC	3A2005-03	1					
6	Start Relay		4A1107-13	1					
7	Compressor Control Relay	115VAC	406132-07	1					
8	Control Transformer		4A0557-01	1					
9	Control Switch		4A0558-01	1					
10	Power Switch		4A2332-01	1					
11	Fuse Holder (Control)		4A5443-01	1					
12	Fuse (Control)	1A, 250VAC	4A0893-01	1					
13	Fuse Holder (Gear Motor)		4A3449-02	1					
14	Fuse (Gear Motor)	7A, 125VAC Slow Blow	4A3804-01	1					

E. Accessories & Labels

F-1501MAJ(-C), F-1501MWJ(-C), F-1501MRJ(-C)

F-0 to G-0



Title: E. Accessories & Labels Model: F-1501MAJ(-C), F-1501MWJ(-C), F-1501MRJ(-C)											
Index No.	Description	Material or Model Number	Part Number	Required Number							
				F-0 to G-0							
1	Hoshizaki Emblem Label		4A0560-01	1							
2	Penguin Label		4A0526-01	1							
3	Universal Brace		4A0363-01	2							
3a	Hex Head Bolt		7B02-0512	2							