



HOSHIZAKI

Parts List

Commercial Series
Refrigerated Kitchen Equipment

Models

CR1S, CF1S

CR2S, CF2S

CR3S, CF3S

Full Glass (FGE/FGY),

Full Solid (FS), Half Solid (HS)



hoshizakiamerica.com

Number: 71362

Issued: 12-28-2015

Revised: 11-3-2016

CONTENTS

| | |
|---|----|
| Auxiliary Codes..... | 3 |
| Note About Ordering Parts | 4 |
| A. Main Assembly | 5 |
| C_1S-FGE/FGY/FGYCL/FGYCR/FS/FSL/HS/HSL | 5 |
| C_2S-FGE/FGY/FS/HS..... | 7 |
| C_3S-FGE/FGYCL/FGYCR/FGY/FGYCL/FGYCR/FS/HS | 10 |
| B. Refrigeration Circuit..... | 14 |
| CR1S-FGE/FGYCL/FGYCR/FGY/FGYCL/FGYCR/FS/FSL/HS/HSL, CR3S-FGY/FGYCL/FGYCR/FS/HS One Section..... | 14 |
| CF1S-FGE/FGY/FS/FSL/HS/HSL, CF3S-FS/HS One Section | 16 |
| CR2S-FGE/FGY/FS/HS, CR3S-FGE/FGY/FGYCL/FGYCR/FS/HS Two Section | 18 |
| CF2S-FGY/FS/HS, CF3S-FS/HS Two Section | 20 |
| C. Control Box Assembly | 22 |
| C_1S-FGE/FGY/FGYCL/FGYCR/FS/FSL/HS/HSL, CR2S-FGE/FGY/FS/HS, CR3S-FGY/FGYCL/FGYCR/FS/HS One & Two Section, CF3S-FS/HS One Section | 22 |
| CF2S-FGY/FS/HS, CF3S-FS/HS Two Section | 23 |
| D. Door-Right Hinged..... | 24 |
| Full Glass | 24 |
| Full Solid..... | 25 |
| Half Solid..... | 26 |
| E. Door-Left Hinged | 28 |
| Full Glass | 28 |
| Full Solid..... | 29 |
| Half Solid..... | 30 |
| F. Accessories & Labels..... | 32 |
| C_1S-FGE/FGY/FGYCL/FGYCR/FS/FSL/HS/HSL, C_2S-FGE/FGY/FS/HS, C_3S-FGY/FGYCL/FGYCR/FS/HS | 32 |

Auxiliary Codes

CR1S-FGE

F-5 April 2016

CR1S-FGY

E-5 October 2015
E-8 October 2015
F-5 January 2016
F-6 February 2016

CR1S-FGYCL

E-8 November 2015
F-5 January 2016
F-6 February 2016

CR1S-FGYCR

E-8 November 2015
F-5 January 2016
F-6 February 2016

CR1S-FS

E-5 March 2015
E-6 May 2015
E-7 July 2015
E-8 October 2015
F-5 January 2016
F-6 February 2016
F-7 June 2016

CR1S-FSL

E-5 April 2015
E-6 June 2015
E-7 August 2015
E-8 October 2015
F-5 January 2016
F-6 February 2016
F-7 June 2016

CR1S-HS

E-5 July 2015
E-8 October 2015
F-5 January 2015
F-6 February 2016
F-7 June 2016

CR1S-HSL

E-5 July 2015
E-8 November 2015
F-5 January 2015
F-6 February 2016
June 2016

CF1S-FGE

F-5 April 2016

CF1S-FGY

E-5 September 2015
F-5 January 2016
F-6 February 2016
F-7 March 2016

CF1S-FS

E5 March 2015
E-6 May 2015
E-7 July 2015
E-8 October 2015
F-5 January 2016
F-6 February 2016
F-7 March 2016
F-8 June 2016

CF1S-FSL

E-5 April 2015
E-6 June 2015
E-7 July 2015
E-8 October 2015
F-5 January 2016
F-6 February 2016
F-7 March 2016
F-8 June 2016

CF1S-HS

E-5 July 2015
E-8 October 2015
F-5 January 2016
F-6 February 2016
F-7 March 2016
F-8 June 2016

CF1S-HSL

E-5 July 2015
E-8 October 2015
F-5 January 2016
F-6 February 2016
F-7 March 2016
F-8 June 2016

CR2S-FGE

F-5 April 2016

CR2S-FGY

E-5 October 2015
E-8 November 2015
F-5 January 2016
F-6 February 2016

CR2S-FS

E-5 April 2015
E-6 June 2015
E-7 July 2015
E-8 November 2015
F-5 January 2016
F-6 February 2016
F-7 June 2016

CR2S-HS

E-5 August 2015
E-8 November 2015
F-5 January 2016
F-6 February 2016
F-7 TBD

CF2S-FGY

E-5 September 2015
F-5 January 2016
F-6 February 2016

CF2S-FS

E-5 April 2015
E-6 June 2015
E-7 July 2015
E-8 October 2015
F-5 January 2016
F-6 February 2016
F-7 March 2015
F-8 June 2016

CF2S-HS

E-6 June 2015
 E-7 August 2015
 F-6 February 2016
 F-7 June 2016

CR3S-FGE

F-5 May 2016

CR3S-FGY

E-5 October 2015
 F-6 February 2016

CR3S-FGYCL

E-8 November 2015
 F-5 January 2016
 F-6 February 2016

CR3S-FGYCR

E-8 November 2015
 F-5 January 2016
 F-6 February 2016

CR3S-FS

E-5 July 2015
 E-7 September 2015
 E-8 November 2015
 F-5 January 2016
 F-6 February 2016
 F-7 June 2016

CR3S-HS

E-5 October 2015
 E-8 December 2015
 F-6 February 2016

CF3S-FS

E-5 July 2015
 E-7 September 2015
 E-8 November 2015
 F-5 January 2016
 F-6 February 2016
 F-7 March 2016
 F-8 June 2016

CF3S-HS

E-8 October 2015
 F-7 March 2016

Auxiliary Code Breakdown

The auxiliary code is the first two characters in the serial number. The first character indicates the year. Years progress or regress in alphabetical order. The series runs from "A" through "V" and the letters "I" and "O" are skipped. The second character indicates significant part changes within a year. Base is "5" and this number advances for each change. In cases where there is a letter in parentheses, this designates the month. This is the last character in the serial number. The series runs from "(A)" through "(M)" and the letter "(I)" is skipped. This designation is only included when identifying a parts change within an auxiliary code.

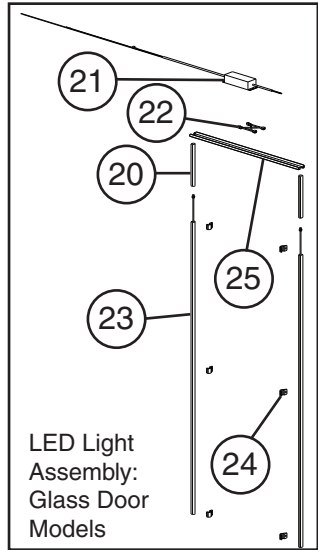
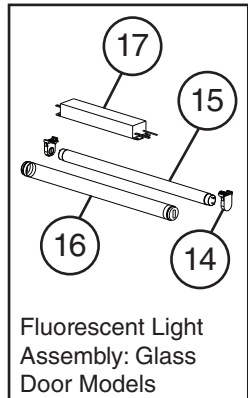
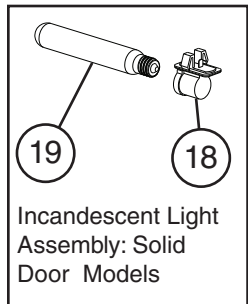
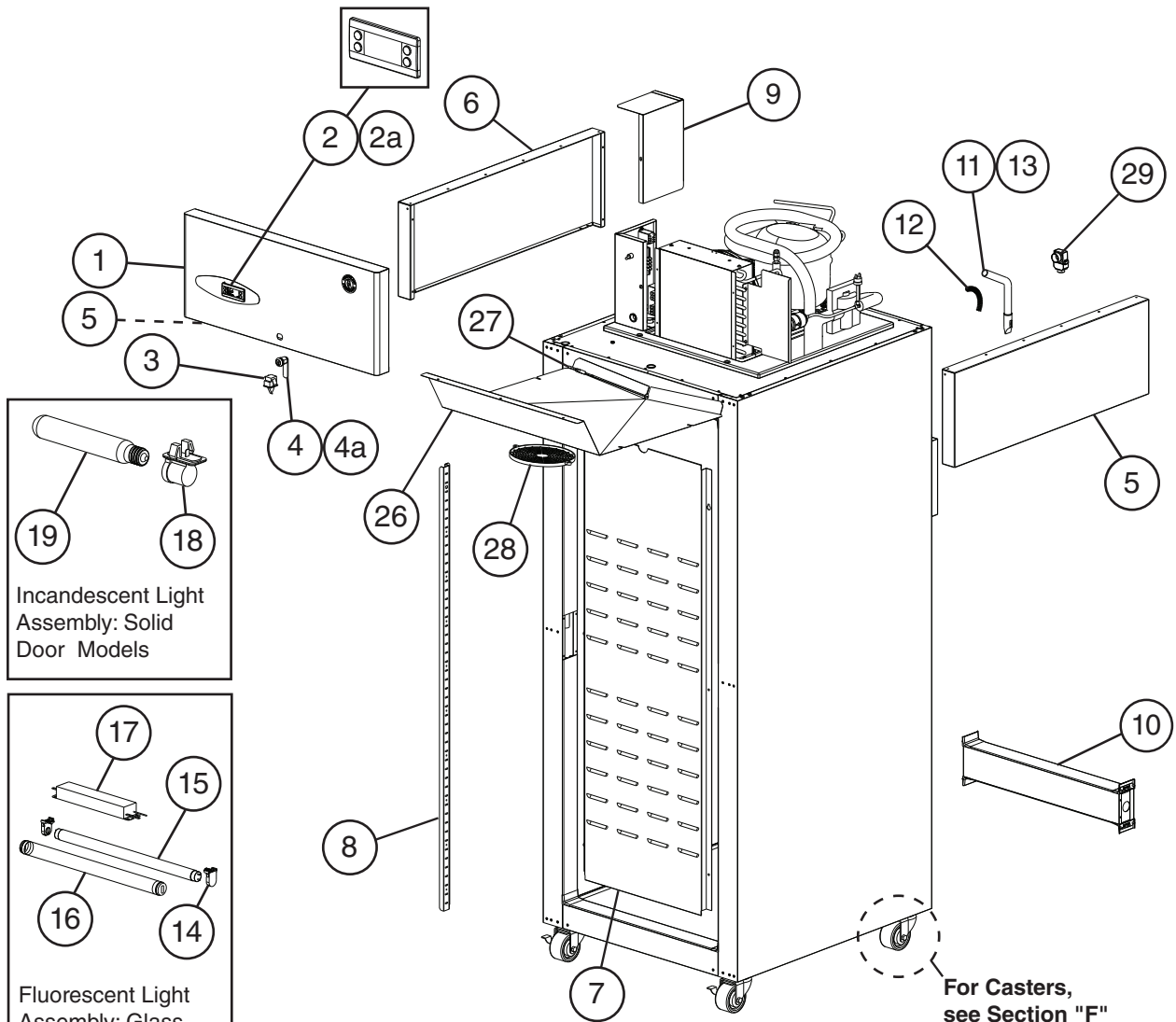
Note About Ordering Parts

Most assemblies cannot be ordered as complete units; parts in the assemblies generally must be ordered separately.

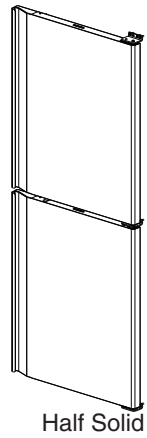
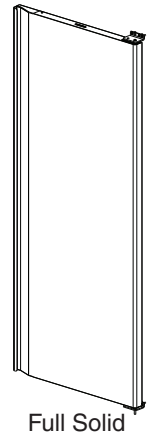
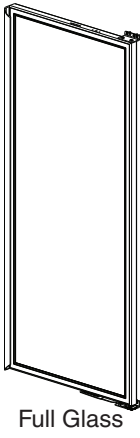
A. Main Assembly

C_1S-FGE/FGY/FGYCL/FGYCR/FS/FSL/HS/HSL

E-5 to F-8



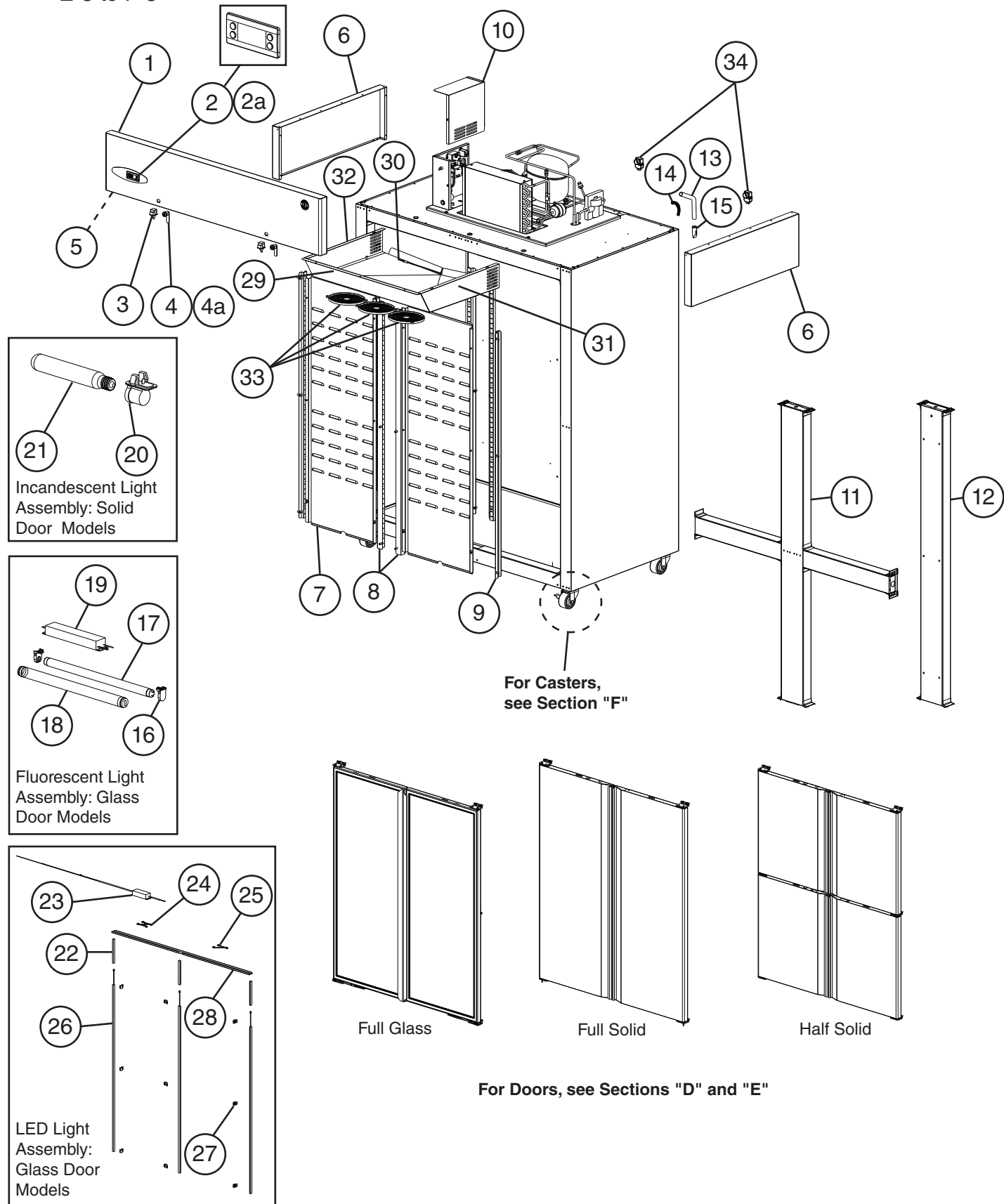
For Casters, see Section "F"



For Doors, see Section "D" and "E"

| Title: A. Main Assembly Model: C_1S-FGE/FGCECL/FGECR/FGY/FGYCL/FGYCR/FS/FSL/HS/HSL | | | | | | | | | | | | | |
|--|------------------------------|--------------------------|-------------|-----------------|------------|-------------------------|--------------------------------|-------------------|---|--|--|--|--|
| Index No. | Description | Material or Model Number | Part Number | Required Number | | | | | | | | | |
| | | | | E-5 E-6 | E-7 E-8 | F-5 to F-6 (E) | F-6 (F) to F-7 (E) | F-7 (F) F-8 | | | | | |
| 1 | Front Panel | CR1S-XXX | 3A9034G01 | 1 | 1 | 1 | 1 | 1 | | | | | |
| | | CF1S-XXX | 3A9047G01 | 1 | 1 | 1 | 1 | 1 | | | | | |
| 2 | Control Module | CR1S-XXX | SP-5209 | 1 | 1 | 1 | - | | | | | | |
| | | | 4A5911G01 | | | | 1 | 1 | | | | | |
| | | CF1S-XXX | SP-5210 | 1 | 1 | 1 | 1 | - | | | | | |
| | | | 4A5912G01 | | | | | | 1 | | | | |
| 2a | Control Module Mounting Clip | | 4A5502-01 | 2 | 2 | 2 | 2 | 2 | | | | | |
| 3 | Door Switch | | 3A1826-01 | 1 | 1 | 1 | 1 | 1 | | | | | |
| 4 | Lock (includes item 4a) | | 4A4924-01 | 1 | 1 | 1 | 1 | 1 | | | | | |
| 4a | Key (includes 2 keys) | | 4A5453-01 | 1 | 1 | 1 | 1 | 1 | | | | | |
| 5 | Light Switch | Glass Doors | 4A0818-01 | | 1 | 1 | 1 | 1 | | | | | |
| 6 | Side Panel | | 2A7819-01 | 2 | 2 | 2 | 2 | 2 | | | | | |
| 7 | Rear Duct Panel | | 2A7690-01 | 1 | 1 | 1 | 1 | 1 | | | | | |
| 8 | Pilaster | | 3A0145-01 | 4 | 4 | 4 | 4 | 4 | | | | | |
| 9 | Control Box Cover | | 2A6750-01 | 1 | 1 | - | | | | | | | |
| | | | 2A8029-01 | | | 1 | 1 | 1 | | | | | |
| 10 | Horizontal Mullion | CR1S-HS/HSL | 2A7850G01 | 1 | 1 | 1 | 1 | 1 | | | | | |
| | | CF1S-HS/HSL | 2A7839G01 | 1 | 1 | 1 | 1 | 1 | | | | | |
| 11 | Vinyl Hose | L=170 mm | 7716-1519 | 1 | 1 | 1 | 1 | 1 | | | | | |
| 12 | Spring | | 3A8781-01 | 1 | 1 | 1 | 1 | 1 | | | | | |
| 13 | Drain Boot | | 4A4938-01 | 1 | 1 | 1 | 1 | 1 | | | | | |
| 14 | Fluorescent Light Mount | C_1S-FGY | 4A4346-01 | 1 | 1 | 1 | 1 | 1 | | | | | |
| 15 | Fluorescent Light Bulb | | 4A4347-02 | 1 | 1 | 1 | 1 | 1 | | | | | |
| 16 | Fluorescent Light Bulb Guard | | 4A4348-02 | 1 | 1 | 1 | 1 | 1 | | | | | |
| 17 | Fluorescent Light Ballast | | 4A4350-01 | 1 | 1 | 1 | 1 | 1 | | | | | |
| 18 | Incandescent Light Socket | C_1S-FS/FSL/ HS/HSL | 4A4443-01 | 1 | 1 | 1 | 1 | 1 | | | | | |
| 19 | Incandescent Light Bulb | | 4A4444-01 | 1 | 1 | 1 | 1 | 1 | | | | | |
| 20 | LED Lens (wire sleeve) | C_1S-FGE | 3A8999-01 | | | 2 | 2 | 2 | | | | | |
| 21 | LED Driver | | 3A8997-01 | | | 1 | 1 | 1 | | | | | |
| 22 | LED Double Harness | | 3A9017-01 | | | 1 | 1 | 1 | | | | | |
| 23 | LED Lamp | | 3A8998-01 | | | 2 | 2 | 2 | | | | | |
| 24 | LED Clip | | 4A5906-01 | | | 6 | 6 | 6 | | | | | |
| 25 | LED Bracket | | 2A8041-01 | | | 1 | 1 | 1 | | | | | |
| 26 | Evaporator Fan Shroud | | 3A8664G01 | 1 | 1 | 1 | 1 | 1 | | | | | |
| 27 | Drain Tube Heater | CF1S-XXX | 4A2975-07 | 1 | 1 | 1 | 1 | 1 | | | | | |
| 28 | Evaporator Fan Guard | | 4A4860-01 | 1 | 1 | 1 | 1 | 1 | | | | | |
| 29 | Pressure Relief Valve | | 4A5694-01 | 1 | 1 | 1 | 1 | 1 | | | | | |

A. Main Assembly
C_2S-FGE/FGY/FS/HS
 E-5 to F-8



Title: A. Main Assembly Model: C_2S-FGE/FGY/FS/HS

| Index No. | Description | Material or Model Number | Part Number | Required Number | | | | | | | | | | |
|-----------|------------------------------|--------------------------|-------------|-----------------|------------|-------------------------|--------------------------------|-------------------|---|--|--|--|--|--|
| | | | | E-5 E-6 | E-7 E-8 | F-5 to F-6 (E) | F-6 (F) to F-7 (E) | F-7 (F) F-8 | | | | | | |
| 1 | Front Panel | CR2S-XXX | 2A8074G01 | 1 | 1 | 1 | 1 | 1 | | | | | | |
| | | CF2S-XXX | 2A8081G01 | 1 | 1 | 1 | 1 | 1 | | | | | | |
| 2 | Control Module | CR2S-XXX | SP-5209 | 1 | 1 | 1 | - | | | | | | | |
| | | | 4A5911G01 | | | | 1 | 1 | | | | | | |
| | | CF2S-XXX | SP-5210 | 1 | 1 | 1 | 1 | - | | | | | | |
| | | | 4A5912G01 | | | | | 1 | | | | | | |
| 2a | Control Module Mounting Clip | | 4A5502-01 | 2 | 2 | 2 | 2 | 2 | | | | | | |
| 3 | Door Switch | | 3A1826-01 | 2 | 2 | 2 | 2 | 2 | | | | | | |
| 4 | Lock (includes item 4a) | | 4A4924-01 | 2 | 2 | 2 | 2 | 2 | | | | | | |
| 4a | Key (includes 2 keys) | | 4A5453-01 | 2 | 2 | 2 | 2 | 2 | | | | | | |
| 5 | Light Switch | Glass Doors | 4A0818-01 | | 1 | 1 | 2 | 2 | | | | | | |
| 6 | Side Panel | | 2A7819-01 | 2 | 2 | 2 | 2 | 2 | | | | | | |
| 7 | Rear Duct Panel | | 2A7690-01 | 2 | 2 | 2 | 2 | 2 | | | | | | |
| 8 | Rear Pilaster | | 2A7867-01 | 2 | 2 | 2 | 2 | 2 | | | | | | |
| 9 | Pilaster | | 3A0145-02 | 6 | 6 | 6 | 6 | 6 | | | | | | |
| 10 | Control Box Cover | CR2S-XXX | 2A6750-01 | 1 | 1 | - | | | | | | | | |
| | | CF2S-XXX | 2A6751-01 | 1 | 1 | - | | | | | | | | |
| | | All | 2A8029-01 | | | 1 | 1 | 1 | | | | | | |
| 11 | Cross Mullion | CR2S-HS | 2A7899G01 | 1 | 1 | 1 | 1 | 1 | | | | | | |
| | | CF2S-HS | 2A7851G01 | 1 | 1 | 1 | 1 | 1 | | | | | | |
| 12 | Vertical Mullion | CR2S-FS/FGY | 2A7823G01 | 1 | 1 | 1 | 1 | 1 | | | | | | |
| | | CR2S-FGE | 2A8072G01 | | | 1 | 1 | 1 | | | | | | |
| | | CF2S-FS/FGY | 2A7788G01 | 1 | 1 | 1 | 1 | 1 | | | | | | |
| | | CF2S-FGE | 2A8082G01 | | | 1 | 1 | 1 | | | | | | |
| 13 | Vinyl Hose | L=170 mm | 7716-1519 | 1 | 1 | 1 | 1 | 1 | | | | | | |
| 14 | Spring | | 3A8781-01 | 1 | 1 | 1 | 1 | 1 | | | | | | |
| 15 | Drain Boot | | 4A4938-01 | 1 | 1 | 1 | 1 | 1 | | | | | | |
| 16 | Fluorescent Light Mount | C_2S-FGY | 4A4346-01 | 4 | 4 | 4 | 4 | 4 | | | | | | |
| 17 | Fluorescent Light Bulb | | 4A4347-02 | 2 | 2 | 2 | 2 | 2 | | | | | | |
| 18 | Fluorescent Light Bulb Guard | | 4A4348-02 | 2 | 2 | 2 | 2 | 2 | | | | | | |
| 19 | Fluorescent Light Ballast | | 4A4350-01 | 1 | 1 | 1 | 1 | 1 | | | | | | |
| 20 | Incandescent Light Socket | C_2S-FS/HS | 4A4443-01 | 2 | 2 | 2 | 2 | 2 | | | | | | |
| 21 | Incandescent Light Bulb | | 4A4444-01 | 2 | 2 | 2 | 2 | 2 | | | | | | |
| 22 | LED Lens (wire sleeve) | C_2S-FGE | 3A8999-01 | | | 3 | 3 | 3 | | | | | | |
| 23 | LED Driver | | 3A8997-01 | | | 1 | 1 | 1 | | | | | | |
| 24 | Double LED Harness | | 3A9017-01 | | | 1 | 1 | 1 | | | | | | |
| 25 | Single LED Harness | | 3A9016-01 | | | 1 | 1 | 1 | | | | | | |
| 26 | LED Lamp | | 3A8998-01 | | | 3 | 3 | 3 | | | | | | |
| 27 | LED Clip | | 4A5906-01 | | | 9 | 9 | 9 | | | | | | |
| 28 | LED Bracket | | | 2A8042-01 | | | 1 | 1 | 1 | | | | | |

Title: A. Main Assembly Model: C_2S-FGE/FGY/FS/HS

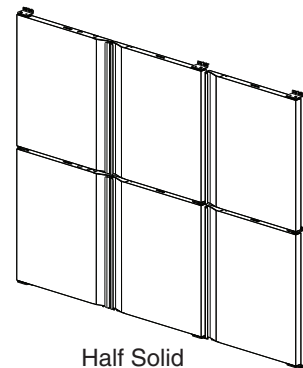
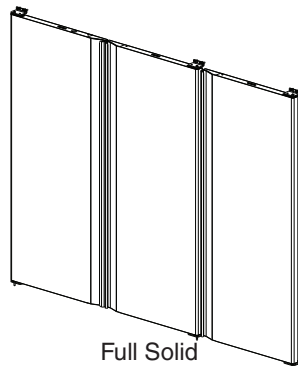
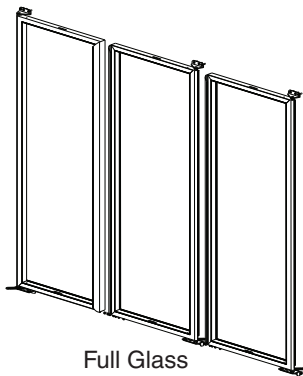
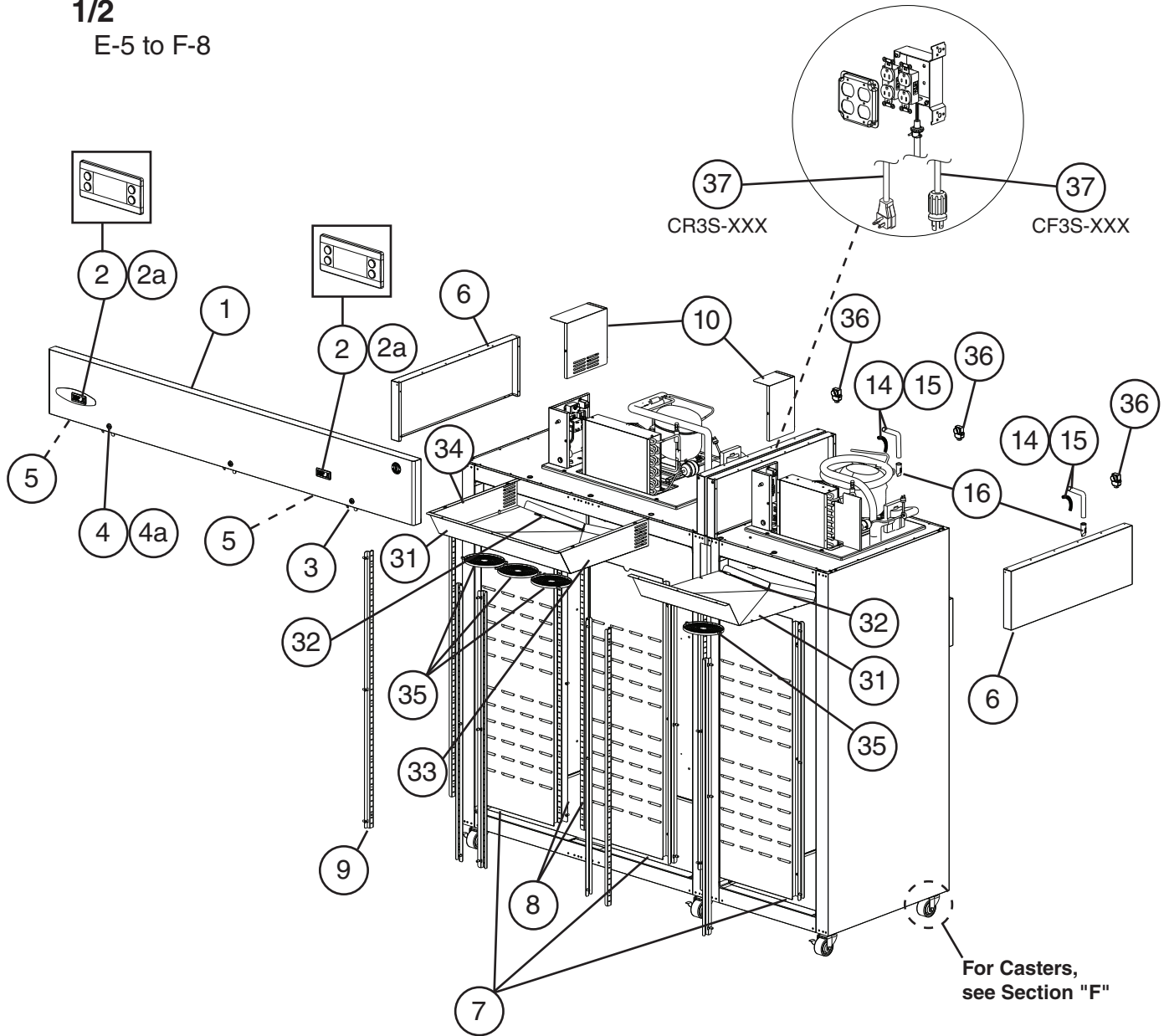
| Index No. | Description | Material or Model Number | Part Number | Required Number | | | | | | | | | |
|-----------|----------------------------------|--------------------------|-------------|-----------------|------------|-------------------------|--------------------------------|-------------------|--|--|--|--|--|
| | | | | E-5 E-6 | E-7 E-8 | F-5 to F-6 (E) | F-6 (F) to F-7 (E) | F-7 (F) F-8 | | | | | |
| 29 | Evaporator Fan Shroud | | 3A6212G01 | 1 | 1 | 1 | 1 | 1 | | | | | |
| 30 | Drain Tube Heater | CF2S-XXX | 4A2975-07 | 1 | 1 | 1 | 1 | 1 | | | | | |
| 31 | Right Side Evaporator Fan Shroud | | 3A6629G01 | 1 | 1 | 1 | 1 | 1 | | | | | |
| 32 | Left Side Evaporator Fan Shroud | | 3A6638G01 | 1 | 1 | 1 | 1 | 1 | | | | | |
| 33 | Evaporator Fan Guard | | 4A4860-01 | 3 | 3 | 3 | 3 | 3 | | | | | |
| 34 | Pressure Relief Valve | | 4A5694-01 | 2 | 2 | 2 | 1 | 1 | | | | | |

A. Main Assembly

C_3S-FGE/FGECL/FGECR/FGY/FGYCL/FGYCR/FS/HS

1/2

E-5 to F-8



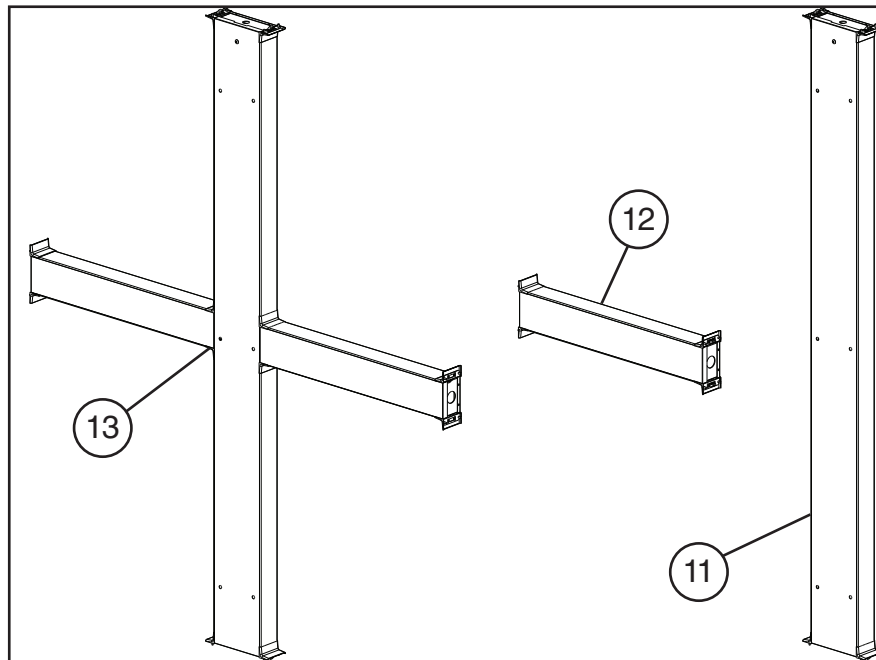
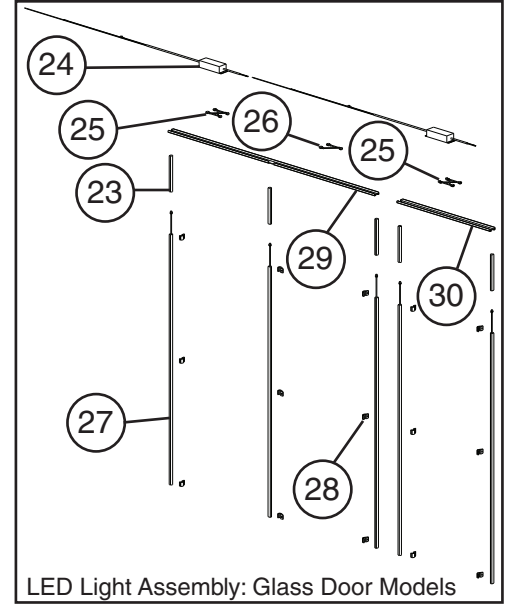
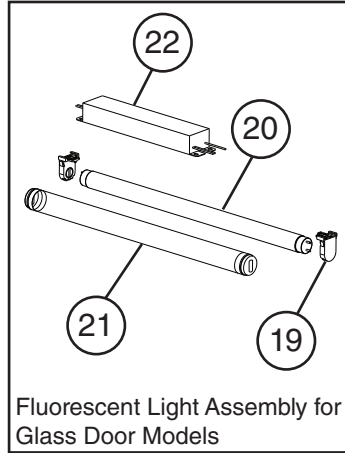
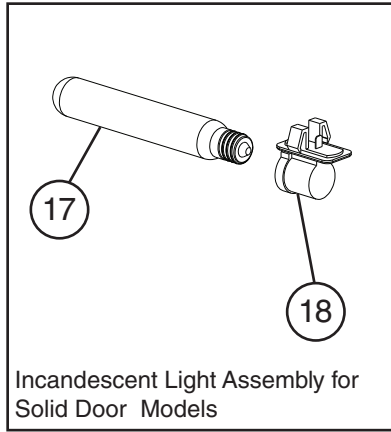
For Doors, see Sections "D" and "E"

A. Main Assembly

C_3S-FGE/FGECL/FGECR/FGY/FGYCL/FGYCR/FS/HS

2/2

E-5 to F-8



Title: A. Main Assembly Model: C_3S-FGE/FGY/FGYCL/FGYCR/FS/HS

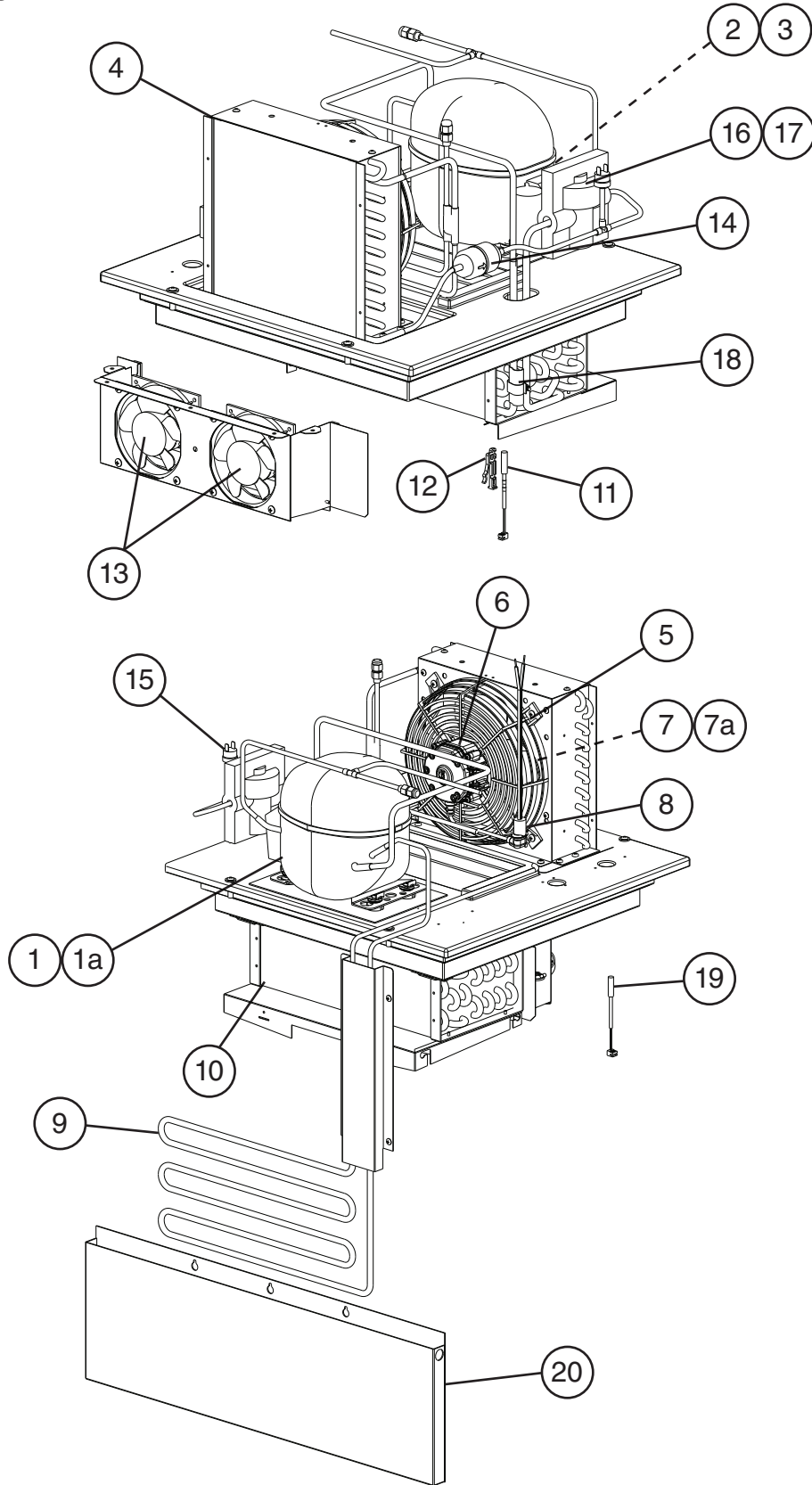
| Index No. | Description | Material or Model Number | Part Number | Required Number | | | | | | | | | |
|-----------|------------------------------|--------------------------------|-------------|-----------------|---------|---------|--|--|--|--|--|--|--|
| | | | | E-5 to E-8 | F-5 F-6 | F-7 F-8 | | | | | | | |
| 1 | Front Panel | CR3S-XXX | 3A9050G01 | 1 | 1 | 1 | | | | | | | |
| | | CF3S-XXX | 3A9068G01 | 1 | 1 | 1 | | | | | | | |
| 2 | Control Module | CR3S-XXX | SP-5209 | 2 | 2 | - | | | | | | | |
| | | | 4A5911G01 | | | 2 | | | | | | | |
| | | CF3S-XXX | SP-5210 | 2 | 2 | - | | | | | | | |
| | | | 4A5912G01 | | | 2 | | | | | | | |
| 2a | Control Module Mounting Clip | | 4A5502-01 | 4 | 4 | 4 | | | | | | | |
| 3 | Door Switch | | 3A1826-01 | 3 | 3 | 3 | | | | | | | |
| 4 | Lock (includes item 4a) | | 4A4924-01 | 3 | 3 | 3 | | | | | | | |
| 4a | Key (includes 2 keys) | | 4A5453-01 | 3 | 3 | 3 | | | | | | | |
| 5 | Light Switch | Glass Doors | 4A0418-01 | 2 | 2 | 2 | | | | | | | |
| 6 | Side Panel | | 2A7819-01 | 4 | 4 | 4 | | | | | | | |
| 7 | Rear Duct Panel | | 2A7690-01 | 3 | 3 | 3 | | | | | | | |
| 8 | Rear Pilaster | | 2A7867-01 | 2 | 2 | 2 | | | | | | | |
| 9 | Pilaster | One Section | 3A0145-01 | 4 | 4 | 4 | | | | | | | |
| | | Two Section | 3A0145-02 | 6 | 6 | 6 | | | | | | | |
| 10 | Control Box Cover | One Section | 2A6750-01 | 1 | - | | | | | | | | |
| | | Two Section | 2A6751-01 | 1 | - | | | | | | | | |
| | | | 2A8029-01 | | 2 | 2 | | | | | | | |
| 11 | Vertical Mullion | CR3S-FS/FGY/FGYCL/FGYCR | 2A7823G01 | 1 | 1 | 1 | | | | | | | |
| | | CR3S-FGE | 2A8072G01 | | 1 | 1 | | | | | | | |
| | | CF3S-FS | 2A7788G01 | 1 | 1 | 1 | | | | | | | |
| 12 | Horizontal Mullion | CR3S-HS | 2A7850G01 | 1 | 1 | 1 | | | | | | | |
| | | CF3S-HS | 2A7839G01 | 1 | 1 | 1 | | | | | | | |
| 13 | Cross Mullion | CR3S-HS | 2A7899G01 | 1 | 1 | 1 | | | | | | | |
| | | CF3S-HS | 2A7841G01 | 1 | 1 | 1 | | | | | | | |
| 14 | Vinyl Hose | L=170 mm | 7716-1519 | 2 | 2 | 2 | | | | | | | |
| 15 | Spring | | 3A8781-01 | 2 | 2 | 2 | | | | | | | |
| 16 | Drain Boot | | 4A4938-01 | 2 | 2 | 2 | | | | | | | |
| 17 | Incandescent Light Socket | C_3S-XXX | 4A4443-01 | 3 | 3 | 3 | | | | | | | |
| 18 | Incandescent Light Bulb | | 4A4444-01 | 3 | 3 | 3 | | | | | | | |
| 19 | Fluorescent Light Mount | C_3S-FGY | 4A4346-01 | 6 | 6 | - | | | | | | | |
| 20 | Fluorescent Light Bulb | | 4A4347-02 | 3 | 3 | - | | | | | | | |
| 21 | Fluorescent Light Bulb Guard | | 4A4348-02 | 3 | 3 | - | | | | | | | |
| 22 | Fluorescent Light Ballast | | 4A4350-01 | 2 | 2 | - | | | | | | | |
| 23 | LED Lens (wire sleeve) | C_3S-FGE | 3A8999-01 | | 5 | 5 | | | | | | | |
| 24 | LED Driver | | 3A8997-01 | | 2 | 2 | | | | | | | |
| 25 | Double LED Harness | | 3A9017-01 | | 2 | 2 | | | | | | | |
| 26 | Single LED Harness | | 3A9016-01 | | 1 | 1 | | | | | | | |
| 27 | LED Lamp | | 3A8998-01 | | 5 | 5 | | | | | | | |
| 28 | LED Clip | | 4A5906-01 | | 15 | 15 | | | | | | | |
| 29 | LED Bracket | | 2A8042-01 | | 1 | 1 | | | | | | | |
| 30 | LED Bracket | | 2A8041-01 | | 1 | 1 | | | | | | | |

| Title: A. Main Assembly Model: C_3S-FGE/FGY/FGYCL/FGYCR/FS/HS | | | | | | | | | | | |
|--|----------------------------------|--------------------------|-------------|-----------------|---------|---------|--|--|--|--|--|
| Index No. | Description | Material or Model Number | Part Number | Required Number | | | | | | | |
| | | | | E-5 to E-8 | F-5 F-6 | F-7 F-8 | | | | | |
| 31 | Evaporator Fan Shroud | One Section | 3A8664G01 | 1 | 1 | 1 | | | | | |
| | | Two Section | 3A6212G01 | 1 | 1 | 1 | | | | | |
| 32 | Drain Tube Heater | CF3S-XXX | 4A2975-07 | 2 | 2 | 2 | | | | | |
| 33 | Right Side Evaporator Fan Shroud | Two Section | 3A6629G01 | 1 | 1 | 1 | | | | | |
| 34 | Left Side Evaporator Fan Shroud | | 3A6638G01 | 1 | 1 | 1 | | | | | |
| 35 | Evaporator Fan Guard | | 4A4860-01 | 4 | 4 | 4 | | | | | |
| 36 | Pressure Relief Valve | | 4A5694-01 | 3 | 2 | 2 | | | | | |
| 37 | Power Junction Cord | CR3S-XXX | 4A5379-01 | 1 | 1 | 1 | | | | | |
| | | CF3S-XXX | 4A5318-01 | 1 | 1 | 1 | | | | | |

B. Refrigeration Circuit

CR1S-FGE/FGECL/FGECL/FGY/FGYCL/FGYCR/FS/FS/HS/HS,
CR3S-FGY/FGYCL/FGYCR/FS/HS One Section

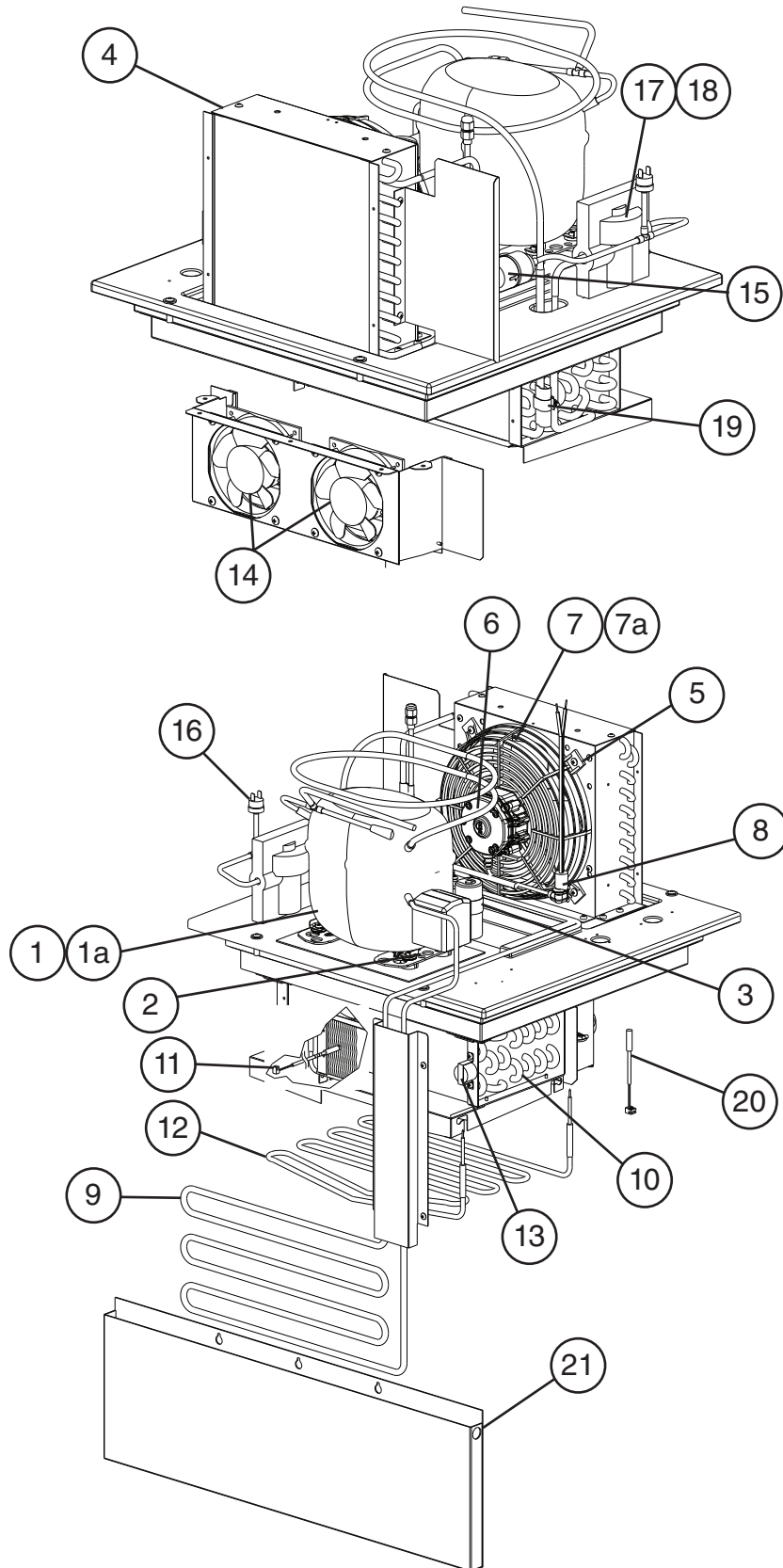
E-5 to F-8



Title: B. Refrigeration Circuit Model: CR1S-FGE/FGACL/FGECR//FGY/FGYCL/FGYCR/FS/FSL/HS/HSL, CR3S-FGY/FGYCL/FGYCR/FS/HS One Section

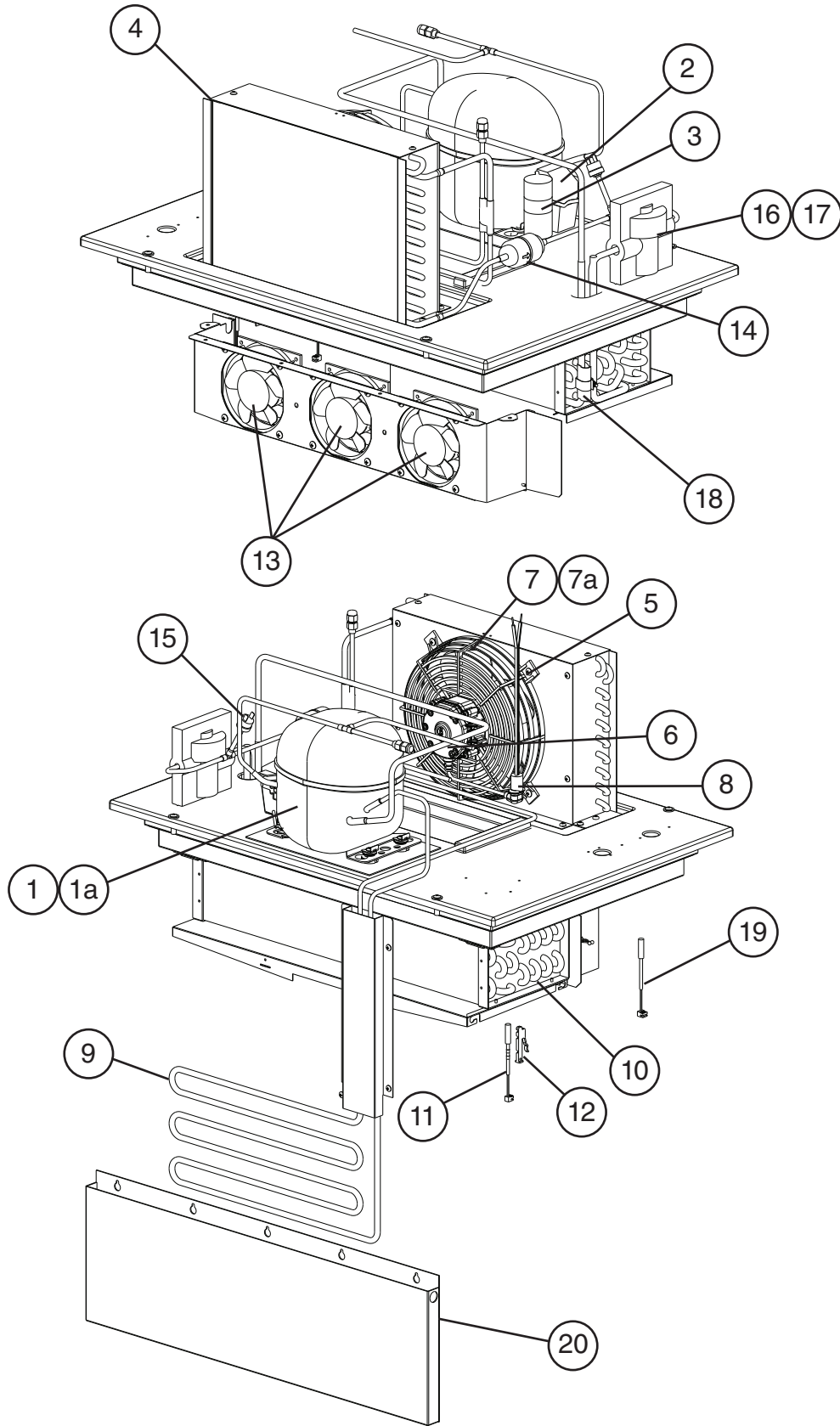
| Index No. | Description | Material or Model Number | Part Number | Required Number | | | | | | | | | | | | | | | | |
|-----------|--|--------------------------|-------------|-----------------|--|--|--|--|--|--|--|--|--|--|--|--|--|--|--|--|
| | | | | E-5 to F-8 | | | | | | | | | | | | | | | | |
| 1 | Compressor | | 4A3177-01 | 1 | | | | | | | | | | | | | | | | |
| 1a | Compressor Mount Insert | | 4A4875-01 | 4 | | | | | | | | | | | | | | | | |
| 2 | Start Relay | | 4A2135-03 | 1 | | | | | | | | | | | | | | | | |
| 3 | Start Capacitor | 280MFD, 165VAC | 4A2134-01 | 1 | | | | | | | | | | | | | | | | |
| 4 | Condenser | | 2A6415-01 | 1 | | | | | | | | | | | | | | | | |
| 5 | Condenser Fan Guard | | 2A5187-01 | 1 | | | | | | | | | | | | | | | | |
| 6 | Condenser Fan Motor | | 4A5498-01 | 1 | | | | | | | | | | | | | | | | |
| 7 | Condenser Fan Blade | | 3A5817-01 | 1 | | | | | | | | | | | | | | | | |
| 7a | Self Locking Nut | 8-32 | 7N2110832 | 1 | | | | | | | | | | | | | | | | |
| 8 | Harness Plug | | 4A5497-01 | 1 | | | | | | | | | | | | | | | | |
| 9 | Condensate Loop | | 3A8712G01 | 1 | | | | | | | | | | | | | | | | |
| 10 | Evaporator | | 2A7531-01 | 1 | | | | | | | | | | | | | | | | |
| 11 | Defrost Thermistor | | 4A4865-02 | 1 | | | | | | | | | | | | | | | | |
| 12 | Thermistor Clip | | 4A3248G01 | 1 | | | | | | | | | | | | | | | | |
| 13 | Evaporator Fan Motor | | 4A5343-01 | 2 | | | | | | | | | | | | | | | | |
| 14 | Drier | | 4A1113-01 | 1 | | | | | | | | | | | | | | | | |
| 15 | High-Pressure Switch | | 4A2516-01 | 1 | | | | | | | | | | | | | | | | |
| 16 | Thermostatic Expansion Valve | | 4A4597-01 | 1 | | | | | | | | | | | | | | | | |
| 17 | Thermostatic Expansion Valve Cover | | 4A4646-01 | 1 | | | | | | | | | | | | | | | | |
| 18 | Thermostatic Expansion Valve Bulb Holder | | 3A0107-01 | 1 | | | | | | | | | | | | | | | | |
| 19 | Cabinet Thermistor | | 4A4864-01 | 1 | | | | | | | | | | | | | | | | |
| 20 | Condensate Pan | | 2A7848-01 | 1 | | | | | | | | | | | | | | | | |

B. Refrigeration Circuit
CF1S-FGE/FGY/FS/FSL/HS/HSL,
CF3S-FS/HS One Section
 E-5 to F-8



| Title: B. Refrigeration Circuit Model: CF1S-FGE/FGY/FS/FSL/HS/HSL, CF3S-FS/HS One Section | | | | | | | | | | | | |
|---|--|--------------------------|-------------|------------|-----------------|--|--|--|--|--|--|--|
| Index No. | Description | Material or Model Number | Part Number | E-5 to F-8 | Required Number | | | | | | | |
| | | | | | | | | | | | | |
| 1 | Compressor | | 4A3808-01 | 1 | | | | | | | | |
| 1a | Compressor Mount Insert | | 4A4875-01 | 4 | | | | | | | | |
| 2 | Start Relay | | 4A3113-01 | 1 | | | | | | | | |
| 3 | Start Capacitor | 240MFD, 165VAC | 4A2134-03 | 1 | | | | | | | | |
| 4 | Condenser | | 2A6415-01 | 1 | | | | | | | | |
| 5 | Condenser Fan Guard | | 2A5187-01 | 1 | | | | | | | | |
| 6 | Condenser Fan Motor | | 4A5498-01 | 1 | | | | | | | | |
| 7 | Condenser Fan Blade | | 3A5817-01 | 1 | | | | | | | | |
| 7a | Self Locking Nut | 8-32 | 7N2110832 | 1 | | | | | | | | |
| 8 | Harness Plug | | 4A5497-01 | 1 | | | | | | | | |
| 9 | Condensate Loop | | 3A8712G01 | 1 | | | | | | | | |
| 10 | Evaporator | | 2A7531-01 | 1 | | | | | | | | |
| 11 | Defrost Thermistor | | 4A4865-02 | 1 | | | | | | | | |
| 12 | Defrost Heater | | 2A7575-01 | 1 | | | | | | | | |
| 13 | Defrost Thermostat | | 4A0954-02 | 1 | | | | | | | | |
| 14 | Evaporator Fan Motor | | 4A5343-01 | 2 | | | | | | | | |
| 15 | Drier | | 4A1113-01 | 1 | | | | | | | | |
| 16 | High-Pressure Switch | | 4A2516-02 | 1 | | | | | | | | |
| 17 | Thermostatic Expansion Valve | | 4A5344-01 | 1 | | | | | | | | |
| 18 | Thermostatic Expansion Valve Cover | | 4A4646-01 | 1 | | | | | | | | |
| 19 | Thermostatic Expansion Valve Bulb Holder | | 3A0107-01 | 1 | | | | | | | | |
| 20 | Cabinet Thermistor | | 4A4864-01 | 1 | | | | | | | | |
| 21 | Condensate Pan | | 2A7848-01 | 1 | | | | | | | | |

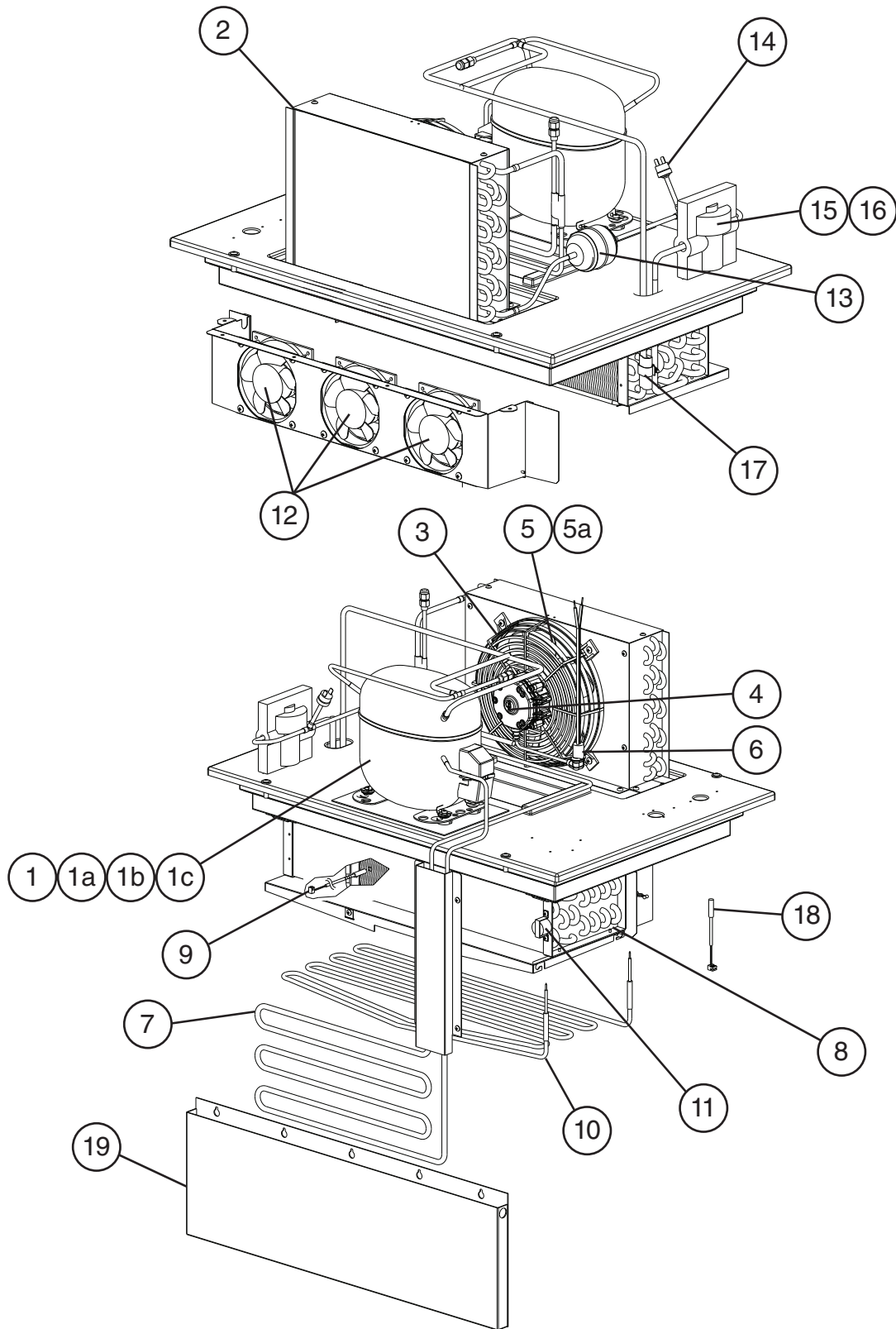
B. Refrigeration Circuit
CR2S-FGE/FGY/FS/HS,
CR3S-FGE/FGY/FGYCL/FGYCR/FS/HS Two Section
 E-5 to F-7



**Title: B. Refrigeration Circuit Model: CR2S-FGE/FGY/FS/HS,
CR3S-FGE/FGY/FGYCL/FGYCR/FS/HS Two Section**

| Index No. | Description | Material or Model Number | Part Number | Required Number | | | | | | | | | | | | | | | | |
|-----------|--|--------------------------|-------------|-----------------|--|--|--|--|--|--|--|--|--|--|--|--|--|--|--|--|
| | | | | E-5 to F-7 | | | | | | | | | | | | | | | | |
| 1 | Compressor | | 4A3958-01 | 1 | | | | | | | | | | | | | | | | |
| 1a | Compressor Mount Insert | | 4A4875-01 | 4 | | | | | | | | | | | | | | | | |
| 2 | Start Relay | | 4A2135-04 | 1 | | | | | | | | | | | | | | | | |
| 3 | Start Capacitor | 280MFD, 165VAC | 4A2134-01 | 1 | | | | | | | | | | | | | | | | |
| 4 | Condenser | | 2A5862-01 | 1 | | | | | | | | | | | | | | | | |
| 5 | Condenser Fan Guard | | 2A5187-01 | 1 | | | | | | | | | | | | | | | | |
| 6 | Condenser Fan Motor | | 4A5498-01 | 1 | | | | | | | | | | | | | | | | |
| 7 | Condenser Fan Blade | | 3A5817-01 | 1 | | | | | | | | | | | | | | | | |
| 7a | Self Locking Nut | 8-32 | 7N2110832 | 1 | | | | | | | | | | | | | | | | |
| 8 | Harness Plug | | 4A5497-01 | 1 | | | | | | | | | | | | | | | | |
| 9 | Condensate Loop | | 3A8712G01 | 1 | | | | | | | | | | | | | | | | |
| 10 | Evaporator | | 2A7532-01 | 1 | | | | | | | | | | | | | | | | |
| 11 | Defrost Thermistor | | 4A4865-02 | 1 | | | | | | | | | | | | | | | | |
| 12 | Thermistor Clip | | 4A3248G01 | 1 | | | | | | | | | | | | | | | | |
| 13 | Evaporator Fan | | 4A5343-01 | 3 | | | | | | | | | | | | | | | | |
| 14 | Drier | | 4A1113-01 | 1 | | | | | | | | | | | | | | | | |
| 15 | High-Pressure Switch | | 4A2516-01 | 1 | | | | | | | | | | | | | | | | |
| 16 | Thermostatic Expansion Valve | | 4A4598-01 | 1 | | | | | | | | | | | | | | | | |
| 17 | Thermostatic Expansion Valve Cover | | 4A4646-01 | 1 | | | | | | | | | | | | | | | | |
| 18 | Thermostatic Expansion Valve Bulb Holder | | 3A0107-01 | 1 | | | | | | | | | | | | | | | | |
| 19 | Cabinet Thermistor | | 4A4864-01 | 1 | | | | | | | | | | | | | | | | |
| 20 | Condensate Pan | | 2A7869-01 | 1 | | | | | | | | | | | | | | | | |

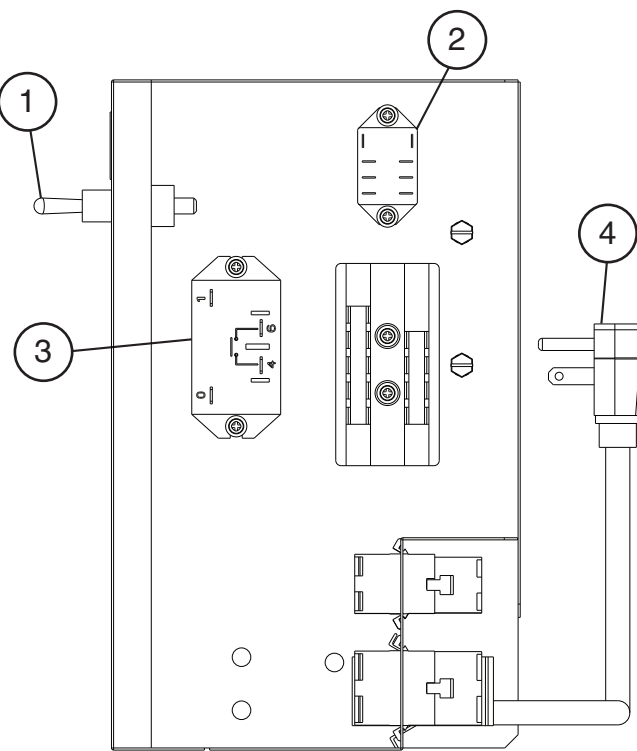
B. Refrigeration Circuit
CF2S-FGY/FS/HS,
CF3S-FS/HS Two Section
E-5 to F-8



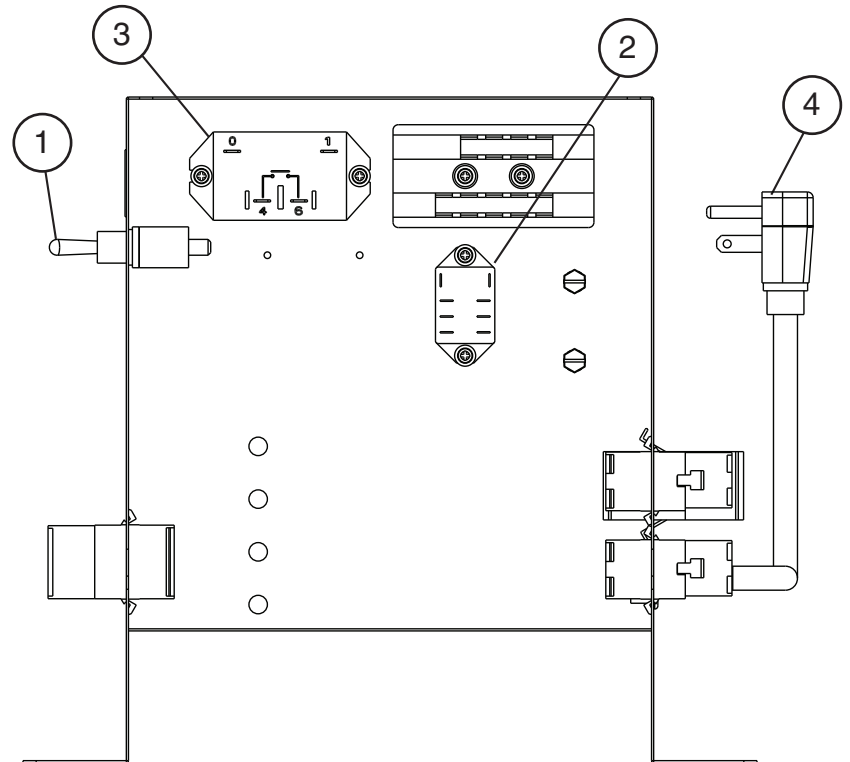
**Title: B. Refrigeration Circuit Model: CF2S-FGY/FS/HS,
CF3S-FS/HS Two Section**

| Index No. | Description | Material or Model Number | Part Number | Required Number | | | | | | | | | | | | | | | | |
|-----------|--|--------------------------|-------------|-----------------|--|--|--|--|--|--|--|--|--|--|--|--|--|--|--|--|
| | | | | E-5 to F-8 | | | | | | | | | | | | | | | | |
| 1 | Compressor | | 4A3815-01 | 1 | | | | | | | | | | | | | | | | |
| 1a | Protector | | 4A3679-01 | 1 | | | | | | | | | | | | | | | | |
| 1b | Protector Holder | | 4A3680-01 | 1 | | | | | | | | | | | | | | | | |
| 1c | Compressor Mount Insert | | 4A4875-01 | 4 | | | | | | | | | | | | | | | | |
| 2 | Condenser | | 2A5902-01 | 1 | | | | | | | | | | | | | | | | |
| 3 | Condenser Fan Guard | | 2A5187-01 | 1 | | | | | | | | | | | | | | | | |
| 4 | Condenser Fan Motor | | 4A5498-01 | 1 | | | | | | | | | | | | | | | | |
| 5 | Condenser Fan Blade | | 3A5817-01 | 1 | | | | | | | | | | | | | | | | |
| 5a | Self Locking Nut | 8-32 | 7N2110832 | 1 | | | | | | | | | | | | | | | | |
| 6 | Harness Plug | | 4A5497-01 | 1 | | | | | | | | | | | | | | | | |
| 7 | Condensate Loop | | 3A8712G01 | 1 | | | | | | | | | | | | | | | | |
| 8 | Evaporator | | 2A7532-01 | 1 | | | | | | | | | | | | | | | | |
| 9 | Defrost Thermistor | | 4A4865-02 | 1 | | | | | | | | | | | | | | | | |
| 10 | Defrost Heater | | 2A7585-01 | 1 | | | | | | | | | | | | | | | | |
| 11 | Defrost Thermostat | | 4A0954-02 | 1 | | | | | | | | | | | | | | | | |
| 12 | Evaporator Fan | | 4A5343-01 | 3 | | | | | | | | | | | | | | | | |
| 13 | Drier | | 4A1113-01 | 1 | | | | | | | | | | | | | | | | |
| 14 | High-Pressure Switch | | 4A2516-02 | 1 | | | | | | | | | | | | | | | | |
| 15 | Thermostatic Expansion Valve | | 4A5161-01 | 1 | | | | | | | | | | | | | | | | |
| 16 | Thermostatic Expansion Valve Cover | | 4A4646-01 | 1 | | | | | | | | | | | | | | | | |
| 17 | Thermostatic Expansion Valve Bulb Holder | | 3A0107-01 | 1 | | | | | | | | | | | | | | | | |
| 18 | Cabinet Thermistor | | 4A4864-01 | 1 | | | | | | | | | | | | | | | | |
| 19 | Condensate Pan | | 2A7869-01 | 1 | | | | | | | | | | | | | | | | |

C. Control Box Assembly
C_1S-FGE/FGY/FGYCL/FGYCR/FS/FSL/HS/HSL,
CR2S-FGE/FGY/FS/HS,
CR3S-FGY/FGYCL/FGYCR/FS/HS One & Two Section,
CF3S-FS/HS One Section
 E-5 to F-8



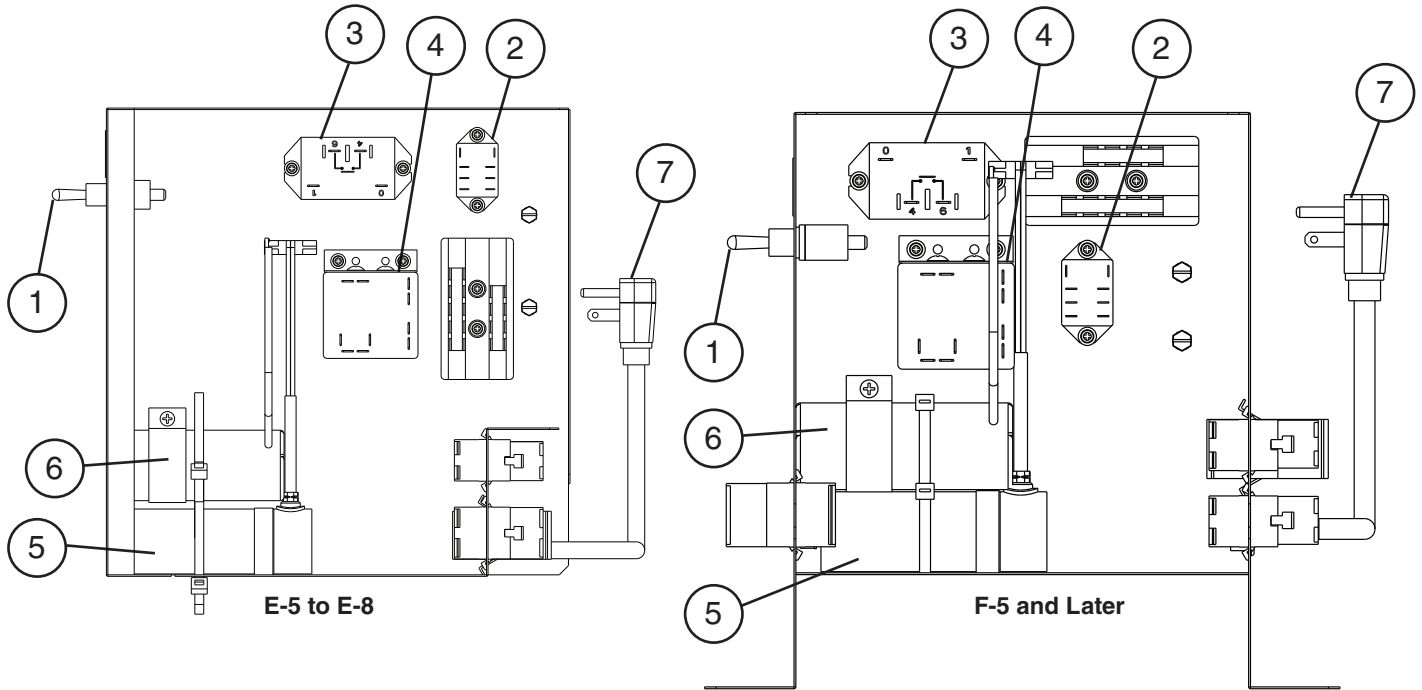
E-5 to E-8



F-5 and Later

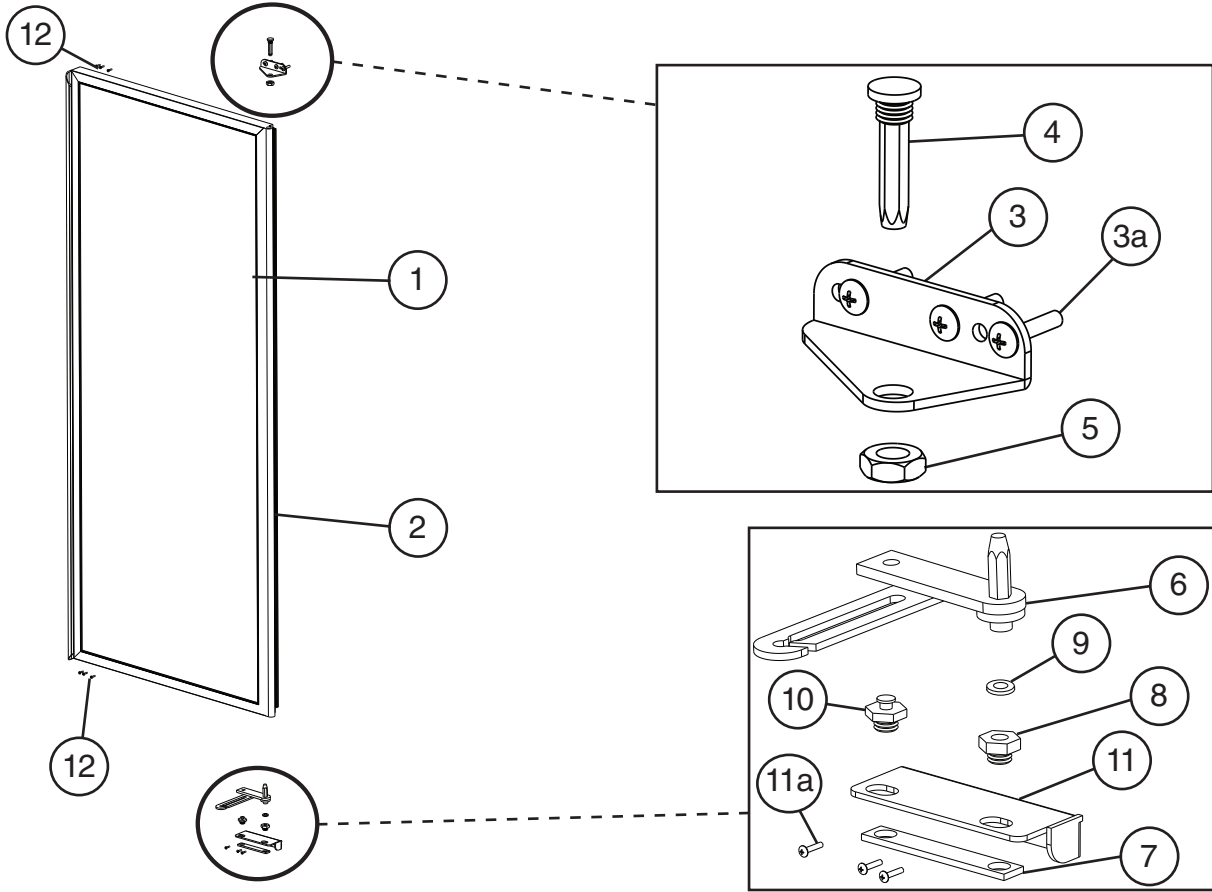
| Title: C. Control Box Assembly Model: C_1S-FGE/FGY/FGYCL/FGYCR/FS/FSL/HS/HSL, CR2S-FGE/FGY/FS/HS, C_3S-FGY/FGYCL/FGYCR/FS/HS One Section | | | | | | | | | | | | |
|---|-------------------|--------------------------|-------------|-----------------|--|--|--|--|--|--|--|--|
| Index No. | Description | Material or Model Number | Part Number | Required Number | | | | | | | | |
| | | | | E-5 to F-8 | | | | | | | | |
| 1 | Power Switch | | 4A0424-01 | 1 | | | | | | | | |
| 2 | Door Switch Relay | 10A, 120VAC | 406132-07 | 1 | | | | | | | | |
| 3 | Compressor Relay | 120VAC | 4A3140-01 | 1 | | | | | | | | |
| 4 | Power Supply Cord | | 4A0520-01 | 1 | | | | | | | | |

C. Control Box Assembly
CF2S-FGY/FS/HS,
CF3S-FS/HS Two Section
 E-5 to F-8



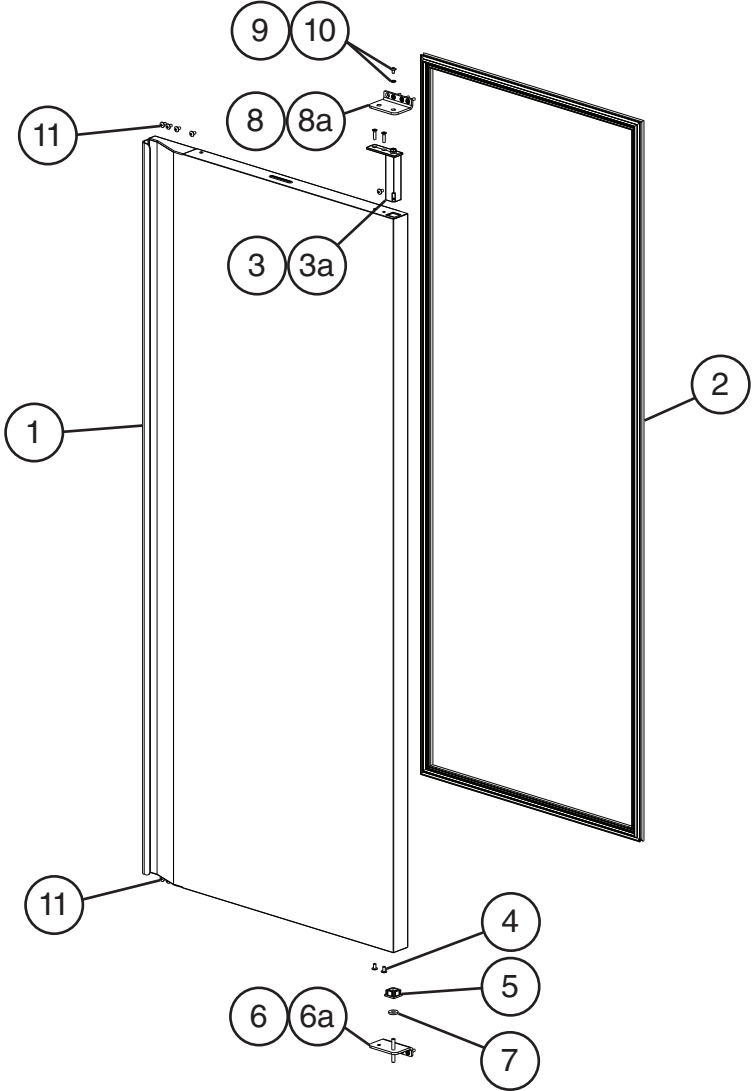
| Title: C. Control Box Assembly | | Model: CF2S-FGY/FS/HS, CF3S-FS/HS Two Section | | Required Number | | | | | | | | |
|--------------------------------|-------------------|--|-------------|-----------------|--|--|--|--|--|--|--|--|
| Index No. | Description | Material or Model Number | Part Number | E-5 to F-8 | | | | | | | | |
| 1 | Power Switch | | 4A0424-01 | 1 | | | | | | | | |
| 2 | Door Switch Relay | | 406132-07 | 1 | | | | | | | | |
| 3 | Compressor Relay | 120VAC | 4A3140-01 | 1 | | | | | | | | |
| 4 | Start Relay | | 4A3683-01 | 1 | | | | | | | | |
| 5 | Run Capacitor | 23.5MFD, 280VAC | 4A4208-01 | 1 | | | | | | | | |
| 6 | Start Capacitor | 410MFD, 165VAC | 4A2134-02 | 1 | | | | | | | | |
| 7 | Power Supply Cord | | 4A0520-01 | 1 | | | | | | | | |

D. Door-Right Hinged
Full Glass
 E-5 to F-8



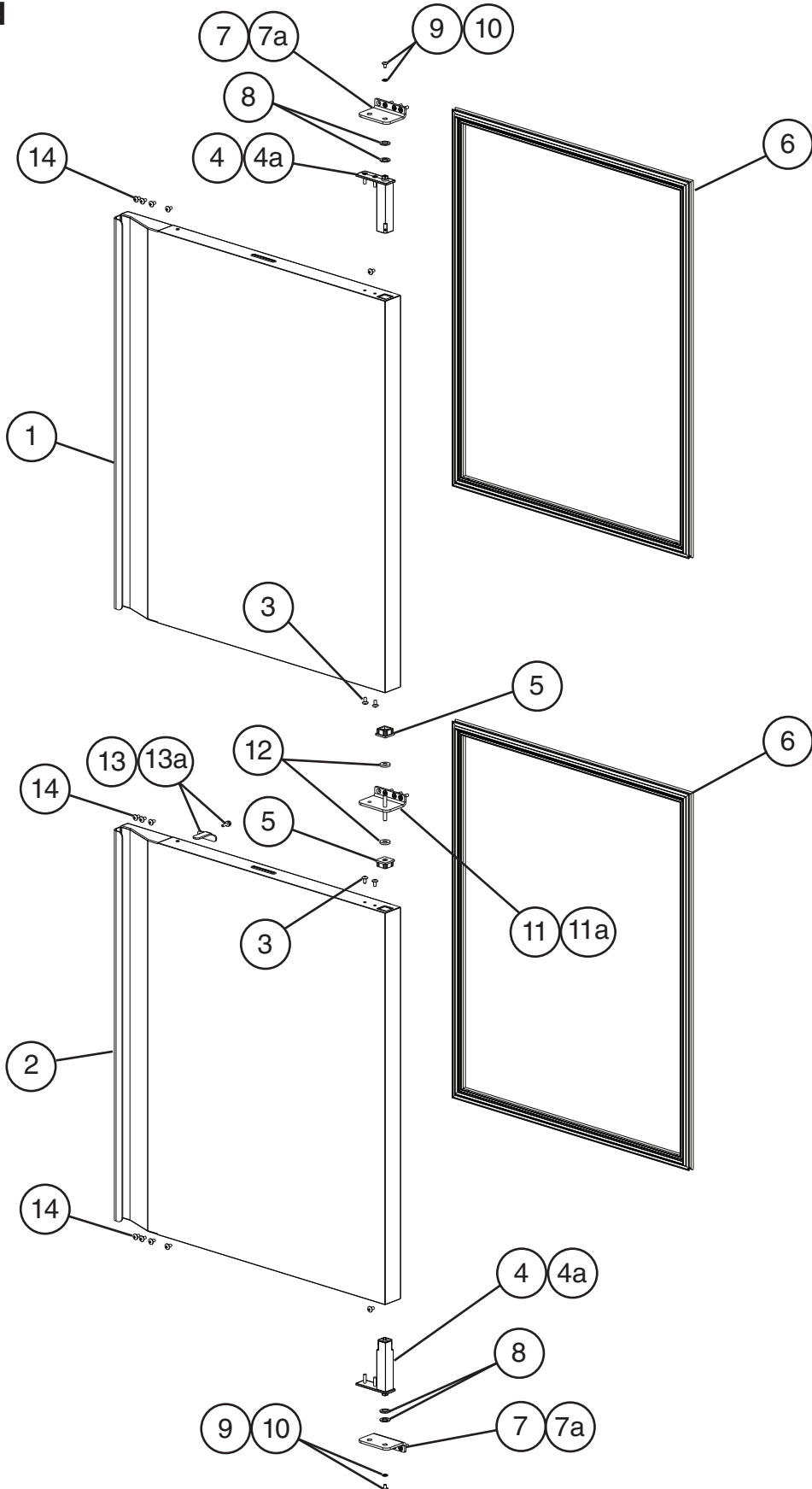
| Title: D. Door-Right Hinged Model: Full Glass | | | | | Required Number | | | | | | | | | | | | |
|---|----------------------------------|--------------------------|-------------|------------|-----------------|--|--|--|--|--|--|--|--|--|--|--|--|
| Index No. | Description | Material or Model Number | Part Number | E-5 to F-8 | | | | | | | | | | | | | |
| 1 | Right Glass Door | CR_S-FGE | 2A7834-03 | 1 | | | | | | | | | | | | | |
| | | CR_S-FGY | | | | | | | | | | | | | | | |
| | CF_S-FGE | 2A7834-04 | 1 | | | | | | | | | | | | | | |
| | CF_S-FGY | | | | | | | | | | | | | | | | |
| 2 | Door Gasket | | 3A8864-01 | 1 | | | | | | | | | | | | | |
| 3 | Upper Hinge Bracket | | 3A8808-02 | 1 | | | | | | | | | | | | | |
| 3a | Truss Head Screw | 5x25, SS | 7C32-0525 | 3 | | | | | | | | | | | | | |
| 4 | Hinge Pin (tension rod) | | 3A7946-04 | 1 | | | | | | | | | | | | | |
| 5 | Lock Nut | | 3A7946-05 | 1 | | | | | | | | | | | | | |
| 6 | Lower Hinge | | 3A7946-01 | 1 | | | | | | | | | | | | | |
| 7 | Backer Plate | | 3A7946-08 | 1 | | | | | | | | | | | | | |
| 8 | Lower Hinge Bushing | | 3A7946-09 | 1 | | | | | | | | | | | | | |
| 9 | Nylon Washer | | 3A7946-10 | 1 | | | | | | | | | | | | | |
| 10 | Slide Pin | | 3A7946-11 | 1 | | | | | | | | | | | | | |
| 11 | Lower Hinge Bracket | | 3A8807-01 | 1 | | | | | | | | | | | | | |
| 11a | Truss Head Screw | 5x25, SS | 7C32-0525 | 3 | | | | | | | | | | | | | |
| 12 | Truss Head Screw (filler screws) | 5x10, SS | 7C32-0510 | 10 | | | | | | | | | | | | | |

D. Door-Right Hinged
Full Solid
 E-5 to F-8



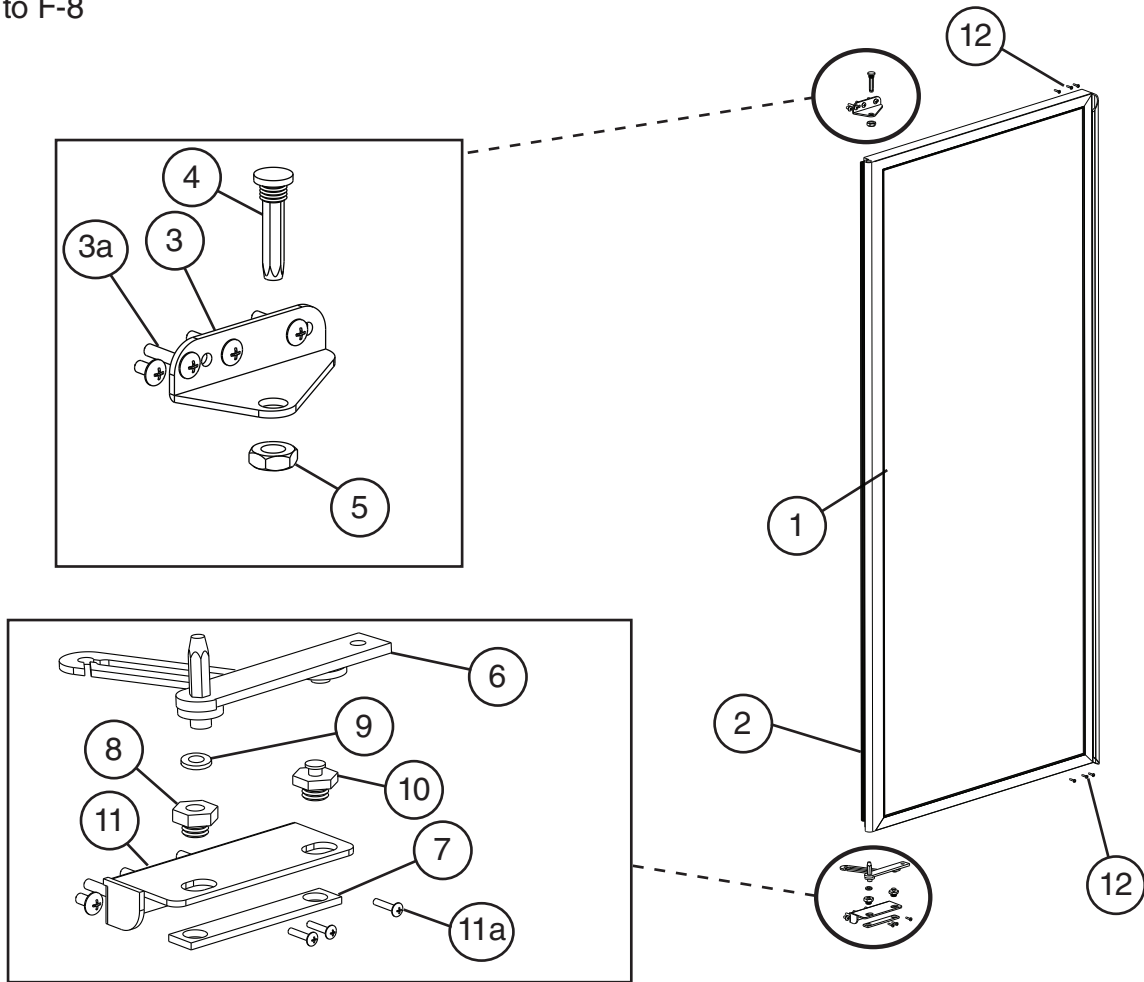
| Title: D. Door-Right Hinged | | Model: Full Solid | | Required Number | | | | | | | | |
|-----------------------------|--|--------------------------|-------------|-----------------|--|--|--|--|--|--|--|--|
| Index No. | Description | Material or Model Number | Part Number | E-5 to F-8 | | | | | | | | |
| 1 | Right Door Assembly (includes items 2 through 5) | | 2A7814G01 | 1 | | | | | | | | |
| 2 | Door Gasket | | 2A5192-07 | 1 | | | | | | | | |
| 3 | Hinge Cartridge | | 3A6258-01 | 1 | | | | | | | | |
| 3a | Countersunk Screw | 5x20, SS | 7C42-0520 | 2 | | | | | | | | |
| 4 | Truss Head Screw | 5x10, SS | 7C32-0510 | 2 | | | | | | | | |
| 5 | Bearing | | 4A5232-01 | 1 | | | | | | | | |
| 6 | Lower Hinge Bracket | | 3A6250G02 | 1 | | | | | | | | |
| 6a | Countersunk Screw | 5x20, SS | 7C42-0520 | 3 | | | | | | | | |
| 7 | Thrust Washer | | 4A5234-01 | 1 | | | | | | | | |
| 8 | Upper Hinge Bracket | | 3A6249-01 | 1 | | | | | | | | |
| 8a | Countersunk Screw | 5x20, SS | 7C42-0520 | 3 | | | | | | | | |
| 9 | Lock Washer | | 4A5231-01 | 1 | | | | | | | | |
| 10 | Screw | | 4A5230-01 | 1 | | | | | | | | |
| 11 | Truss Head Screw (filler screw) | 5x10, SS | 7C32-0510 | 10 | | | | | | | | |

D. Door-Right Hinged
Half Solid
E-5 to F-8



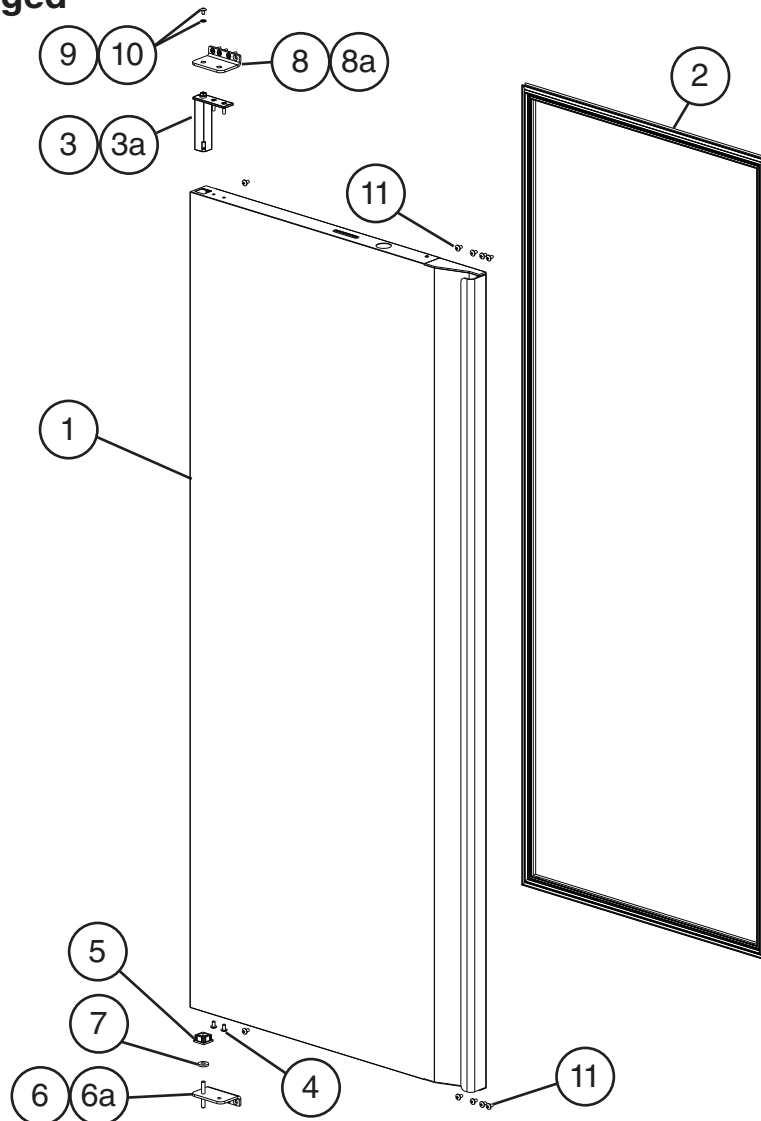
| Title: D. Door-Right Hinged Model: Half Solid | | | | | | | | | | | |
|---|--|--------------------------|-------------|-----------------|--|--|--|--|--|--|--|
| Index No. | Description | Material or Model Number | Part Number | Required Number | | | | | | | |
| | | | | E-5 to F-8 | | | | | | | |
| 1 | Upper Right/Lower Left Door Assembly (includes half the quantity of items 3 through 6) | | 2A7837G01 | 1 | | | | | | | |
| 2 | Lower Right/Upper Left Door Assembly (includes half the quantity of items 3 through 6) | | 2A7838G01 | 1 | | | | | | | |
| 3 | Truss Head Screw | 5x10, SS | 7C32-0510 | 4 | | | | | | | |
| 4 | Hinge Cartridge | | 3A6258-01 | 2 | | | | | | | |
| 4a | Countersunk Screw | 5x20, SS | 7C42-0520 | 4 | | | | | | | |
| 5 | Bearing | | 4A5232-01 | 2 | | | | | | | |
| 6 | Door Gasket | | 2A5192-22 | 2 | | | | | | | |
| 7 | Upper/Lower Hinge Bracket | | 3A6249-01 | 2 | | | | | | | |
| 7a | Countersunk Screw | 5x20, SS | 7C42-0520 | 6 | | | | | | | |
| 8 | Thrust Washer | | 4A5233-01 | 4 | | | | | | | |
| 9 | Lock Washer | | 4A5231-01 | 2 | | | | | | | |
| 10 | Screw | | 4A5230-01 | 2 | | | | | | | |
| 11 | Middle Hinge Bracket | | 3A6250G01 | 1 | | | | | | | |
| 11a | Countersunk Screw | 5x20, SS | 7C42-0520 | 3 | | | | | | | |
| 12 | Thrust Washer | | 4A5234-01 | 2 | | | | | | | |
| 13 | Half-Door Lock | | 4A5249-01 | 1 | | | | | | | |
| 13a | Bolt | | 449879-08 | 1 | | | | | | | |
| 14 | Truss Head Screw (filler screws) | 5x10, SS | 7C32-0510 | 13 | | | | | | | |

E. Door-Left Hinged
Full Glass
 E-5 to F-8



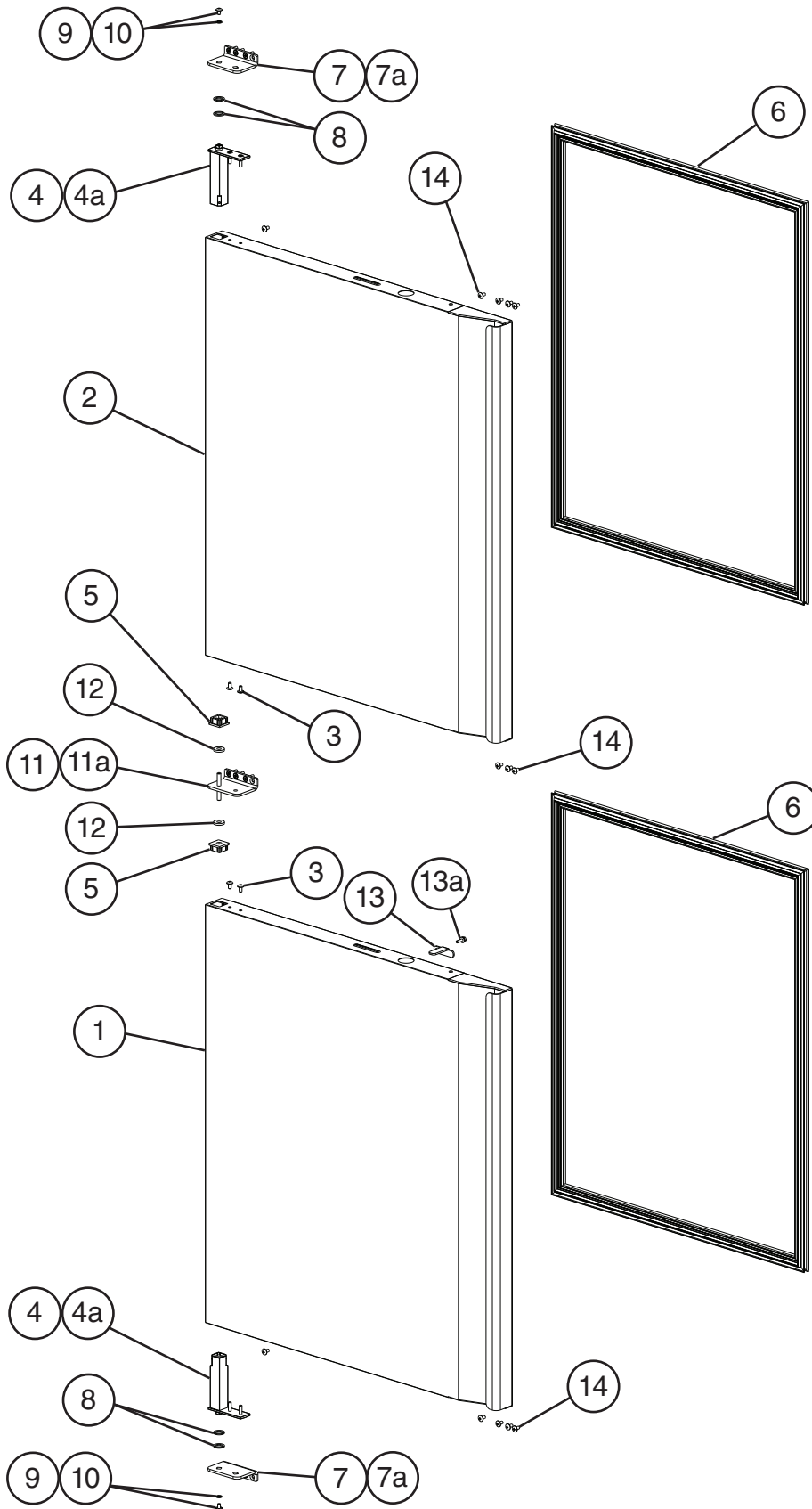
| Title: E. Door-Left Hinged Model: Full Glass | | | | | Required Number | | | | | | | | | | | | |
|--|----------------------------------|--------------------------|-------------|------------|-----------------|--|--|--|--|--|--|--|--|--|--|--|--|
| Index No. | Description | Material or Model Number | Part Number | E-5 to F-8 | | | | | | | | | | | | | |
| 1 | Left Glass Door | CR_S-FGE CR_S-FGY | 2A7834-01 | 1 | | | | | | | | | | | | | |
| | | CF_S-FGE CF_S-FGY | 2A7834-02 | 1 | | | | | | | | | | | | | |
| 2 | Door Gasket | | 3A8864-01 | 1 | | | | | | | | | | | | | |
| 3 | Upper Hinge Bracket | | 3A8808-01 | 1 | | | | | | | | | | | | | |
| 3a | Truss Head Screw | 5x25, SS | 7C32-0525 | 3 | | | | | | | | | | | | | |
| 4 | Hinge Pin (tension rod) | | 3A7946-04 | 1 | | | | | | | | | | | | | |
| 5 | Lock Nut | | 3A7946-05 | 1 | | | | | | | | | | | | | |
| 6 | Lower Hinge | | 3A7946-01 | 1 | | | | | | | | | | | | | |
| 7 | Backer Plate | | 3A7946-08 | 1 | | | | | | | | | | | | | |
| 8 | Lower Hinge Bushing | | 3A7946-09 | 1 | | | | | | | | | | | | | |
| 9 | Nylon Washer | | 3A7946-10 | 1 | | | | | | | | | | | | | |
| 10 | Slide Pin | | 3A7946-11 | 1 | | | | | | | | | | | | | |
| 11 | Lower Hinge Bracket | | 3A8807-02 | 1 | | | | | | | | | | | | | |
| 11a | Truss Head Screw | 5x25, SS | 7C32-0525 | 3 | | | | | | | | | | | | | |
| 12 | Truss Head Screw (filler screws) | 5x10, SS | 7C32-0510 | 10 | | | | | | | | | | | | | |

E. Door-Left Hinged
Full Solid
 E-5 to F-8



| Title: E. Door-Left Hinged | | Model: Full Solid | | Required Number | | | | | | | | | | |
|----------------------------|--|--------------------------|-------------|-----------------|--|--|--|--|--|--|--|--|--|--|
| Index No. | Description | Material or Model Number | Part Number | E-5 to F-8 | | | | | | | | | | |
| | | | | | | | | | | | | | | |
| 1 | Left Door Assembly (includes items 8 through 11) | | 2A7817G01 | 1 | | | | | | | | | | |
| 2 | Door Gasket | | 2A5192-07 | 1 | | | | | | | | | | |
| 3 | Hinge Cartridge | | 3A6258-01 | 1 | | | | | | | | | | |
| 3a | Countersunk Screw | 5x20, SS | 7C42-0520 | 2 | | | | | | | | | | |
| 4 | Truss Head Screw | 5x10, SS | 7C32-0510 | 2 | | | | | | | | | | |
| 5 | Bearing | | 4A5232-01 | 1 | | | | | | | | | | |
| 6 | Lower Hinge Bracket | | 3A6250G01 | 1 | | | | | | | | | | |
| 6a | Countersunk Screw | 5x20, SS | 7C42-0520 | 3 | | | | | | | | | | |
| 7 | Thrust Washer | | 4A5234-01 | 1 | | | | | | | | | | |
| 8 | Upper Hinge Bracket | | 3A6249-01 | 1 | | | | | | | | | | |
| 8a | Countersunk Screw | 5x20, SS | 7C42-0520 | 3 | | | | | | | | | | |
| 9 | Lock Washer | | 4A5231-01 | 1 | | | | | | | | | | |
| 10 | Screw | | 4A5230-01 | 1 | | | | | | | | | | |
| 11 | Truss Head Screw (filler screws) | 5x10, SS | 7C32-0510 | 10 | | | | | | | | | | |

**E. Door-Left Hinged
Half Solid**
E-5 to F-8



| Title: E. Door-Left Hinged Model: Half Solid | | | | | | | | | | | | |
|--|--|--------------------------|-------------|-----------------|--|--|--|--|--|--|--|--|
| Index No. | Description | Material or Model Number | Part Number | Required Number | | | | | | | | |
| | | | | E-5 to F-8 | | | | | | | | |
| 1 | Upper Right/Lower Left Door Assembly (includes half the quantity of items 3 through 6) | | 2A7837G01 | 1 | | | | | | | | |
| 2 | Lower Right/Upper Left Door Assembly (includes half the quantity of items 3 through 6) | | 2A7838G01 | 1 | | | | | | | | |
| 3 | Truss Head Screw | 5x10, SS | 7C32-0510 | 4 | | | | | | | | |
| 4 | Hinge Cartridge | | 3A6258-01 | 2 | | | | | | | | |
| 4a | Countersunk Screw | 5x20, SS | 7C42-0520 | 4 | | | | | | | | |
| 5 | Bearing | | 4A5232-01 | 2 | | | | | | | | |
| 6 | Door Gasket | | 2A5192-22 | 2 | | | | | | | | |
| 7 | Upper/Lower Hinge Bracket | | 3A6249-01 | 2 | | | | | | | | |
| 7a | Countersunk Screw | 5x20, SS | 7C42-0520 | 6 | | | | | | | | |
| 8 | Thrust Washer | | 4A5233-01 | 4 | | | | | | | | |
| 9 | Lock Washer | | 4A5231-01 | 2 | | | | | | | | |
| 10 | Screw | | 4A5230-01 | 2 | | | | | | | | |
| 11 | Middle Hinge Bracket | | 3A6250G02 | 1 | | | | | | | | |
| 11a | Countersunk Screw | 5x20, SS | 7C42-0520 | 3 | | | | | | | | |
| 12 | Thrust Washer | | 4A5234-01 | 2 | | | | | | | | |
| 13 | Half-Door Lock | | 4A5249-01 | 1 | | | | | | | | |
| 13a | Bolt | 5x16, SS | 449879-08 | 1 | | | | | | | | |
| 14 | Truss Head Screw (filler screws) | 5x10, SS | 7C32-0510 | 13 | | | | | | | | |

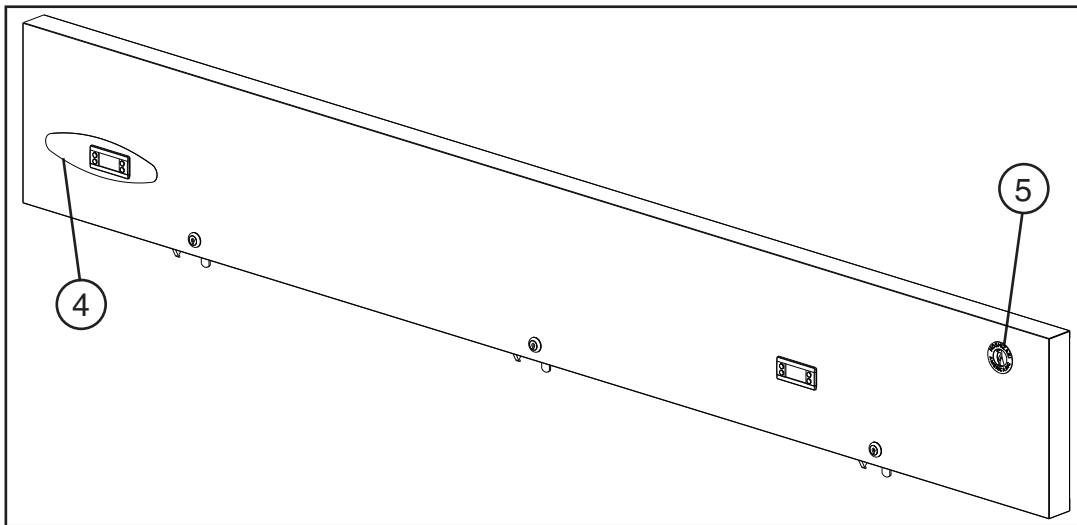
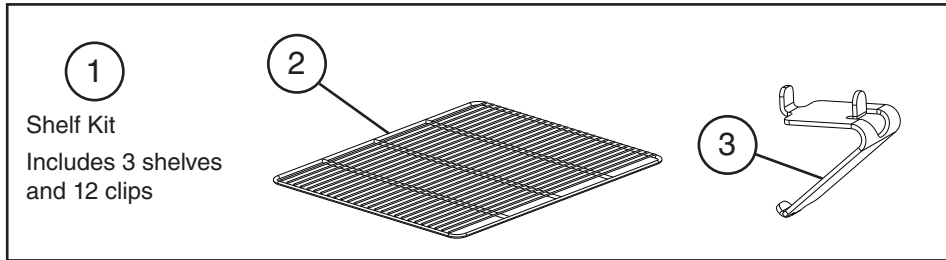
F. Accessories & Labels

C_1S-FGE/FGY/FGYCL/FGYCR/FS/FSL/HS/HSL,

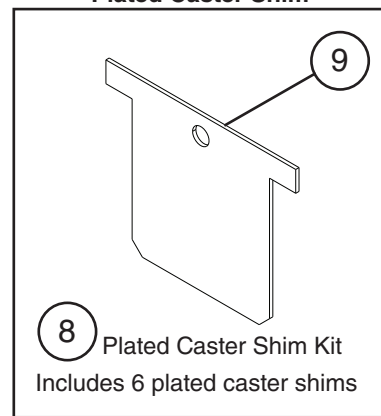
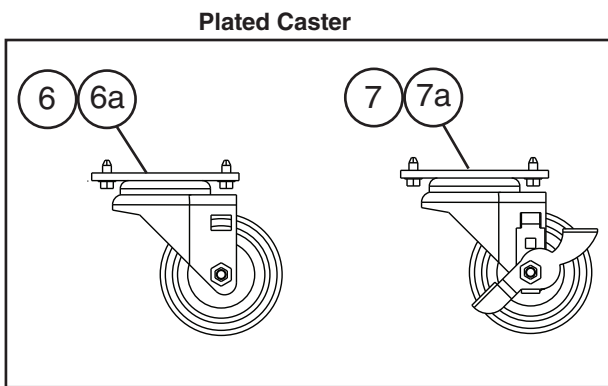
C_2S-FGE/FGY/FS/HS,

C_3S-FGY/FGYCL/FGYCR/FS/HS

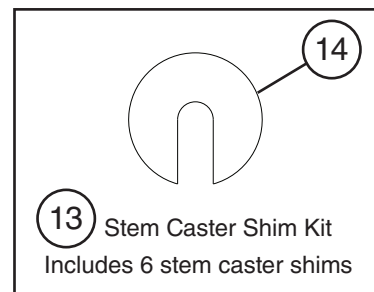
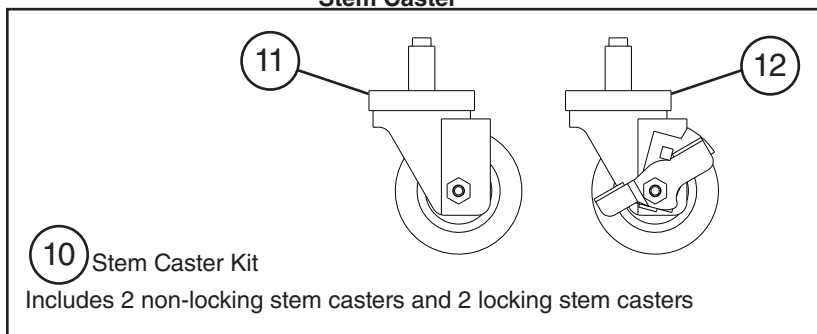
E-5 to F-8



Plated Caster Shim



Stem Caster Shim



| Title: F. Accessories & Labels Model: C_1S-FGE/FGY/FGYCL/FGYCR/FS/FSL/HS/HSL, C_2S-FGE/FGY/FS/HS, C_3S-FGY/FGYCL/FGYCR/FS/HS | | | | | | | | | | | | |
|---|--|--|-------------|-----------------|------------|--|--|--|--|--|--|--|
| Index No. | Description | Material or Model Number | Part Number | Required Number | | | | | | | | |
| | | | | E-5 to E-7 | E-8 to F-8 | | | | | | | |
| 1 | Shelf Kit (3 Pack) (includes items 2 and 3) | C_1S-xxx, C_3S-xxx (One Section) HS-5053 | 3A6902A01 | 1 | 1 | | | | | | | |
| | Shelf Kit (3 Pack) (one kit includes half of items 2 and 3) | C_2S-xxx, C_3S-xxx (Two Section) HS-5048 | 3A6874A01 | 2 | 2 | | | | | | | |
| 2 | Shelf | C_1S-xxx, C_3S-xxx (One Section) HS-5052 | 3A6876-03 | 3 | 3 | | | | | | | |
| | | C_2S-xxx, C_3S-xxx (Two Section) HS-5047 | 3A6876-01 | 6 | 6 | | | | | | | |
| 3 | Shelf Clip | C_1S-xxx, C_3S-xxx (One Section) | 428957-01 | 12 | 12 | | | | | | | |
| | | C_2S-xxx, C_3S-xxx (Two Section) | | 24 | 24 | | | | | | | |
| 4 | Commercial Label | CR_S-xxx | 3A7757-01 | 1 | 1 | | | | | | | |
| | | CF_S-xxx | 3A7757-02 | 1 | 1 | | | | | | | |
| 5 | Penguin Label | | 456246-02 | 1 | 1 | | | | | | | |
| Plated Caster | | | | | | | | | | | | |
| 6 | 4-Inch Non-Locking Plated Caster | C_1S-xxx, C_2S-xxx | 4A4275-02 | 2 | - | | | | | | | |
| | | C_3S-xxx | | 3 | - | | | | | | | |
| 6a | Hex Head Tapping Bolt | C_1S-xxx, C_2S-xxx | 4A5213-01 | 8 | - | | | | | | | |
| | | C_3S-xxx | | 12 | - | | | | | | | |
| 7 | 4-Inch Locking Plated Caster | C_1S-xxx, C_2S-xxx | 4A4275-01 | 2 | - | | | | | | | |
| | | C_3S-xxx | | 3 | - | | | | | | | |
| 7a | Hex Head Tapping Bolt | C_1S-xxx, C_2S-xxx | 4A5213-01 | 8 | - | | | | | | | |
| | | C_3S-xxx | | 12 | - | | | | | | | |
| 8 | Plated Caster Shim Kit (includes 6 of item 9) | | HS-3724 | 1 | - | | | | | | | |
| 9 | Plated Caster Shim | | 4A5208-01 | 6 | - | | | | | | | |

| Title: F. Accessories & Labels Model: C_1S-FGE/FGY/FGYCL/FGYCR/FS/FSL/HS/HSL, C_2S-FGE/FGY/FS/HS, C_3S-FGY/FGYCL/FGYCR/FS/HS | | | | | | | | | | | |
|--|---|--------------------------|-------------|-----------------|------------|--|--|--|--|--|--|
| Index No. | Description | Material or Model Number | Part Number | Required Number | | | | | | | |
| | | | | E-5 to E-7 | E-8 to F-8 | | | | | | |
| Stem Caster | | | | | | | | | | | |
| 10 | 4-inch Stem Caster Kit (includes 2 each of items 11 and 12) | C_1S-xxx, C_2S-xxx | HS-3546 | | 1 | | | | | | |
| | 4-inch Stem Caster Kit (includes 3 each of items 11 and 12) | C_3S-xxx | HS-3547 | | 1 | | | | | | |
| 11 | 4-inch Non-Locking Stem Caster | C_1S-xxx C_2S-xxx | 4A1347-01 | | 2 | | | | | | |
| | | C_3S-xxx | | | 3 | | | | | | |
| 12 | 4-inch Locking Stem Caster | C_1S-xxx C_2S-xxx | 4A1347-02 | | 2 | | | | | | |
| | | C_3S-xxx | | | 3 | | | | | | |
| 13 | Stem Caster Shim Kit (includes 6 of item 14) | | HS-3590 | | 1 | | | | | | |
| 14 | Stem Caster Shim | | 4A3658-01 | | 6 | | | | | | |