



Project _____

Item # _____

Quantity _____

Glo-Ray® Pizza Warmers

Models: GRPWS-2424, -3624, -4824,
GRPWS-2418D, -3618D, -4818D,
-2424D, -3624D, -4824D,
GRPWS-2418T, -3618T, -4818T,
-2424T, -3624T, -4824T,
GRPWS-2418Q, -3618Q, -4818Q,
-2424Q, -3624Q, -4824Q

The Hatco Glo-Ray® Pizza Warmers are perfect for holding boxed or bagged pizza and other wrapped food product at any convenient self-serve or quick-serve area. Choose from base heat only in single, dual, triple and quadruple shelf models, with any combination of three widths and two depths. All models are constructed of aluminum and stainless steel with tempered glass side panels (no glass side panels on single shelf models), hardcoated aluminum shelves and legs.

Standard features

- All models have thermostatically-controlled base heat in each heat zone to maintain optimum serving temperatures
- A separate On/Off switch and temperature control for each shelf allows for holding a variety of pizzas or other food products
- Standard box stop doubles as a sign holder (excluding base only models) (signs not included)
- NEW LED display lights for the dual and triple shelves, coated shatter-resistant incandescent lights on the quad shelves (excluding base only models)
- NSF require units over 36" (914 mm) in width or weighing more than 80 lbs. (36 kg) to be either sealed, or raised on the installation surface with the 4" (102 mm) legs included



Options (available at time of purchase only)

Designer Colors

- Non-standard colors are non-returnable – Stainless Steel standard
- Warm Red Black Gray Granite White Granite
 Navy Blue Hunter Green Antique Copper

- 60 Watt Halogen Bulb in lieu of Standard Display Light (Quadruple shelf models only)

Accessories

- Chef LED Bulbs – Quadruple models only –
- Similar to warm Incandescent light
 - Similar to warm Halogen light
 - Similar to cool Fluorescent light

RECOMMENDED SIGN DIMENSIONS

Model

GRPWS-24's: 22.25" x 2.38" x .13" (565 x 60 x 3 mm)

GRPWS-36's: 34.25" x 2.38" x .13" (870 x 60 x 3 mm)

GRPWS-48's: 46.25" x 2.38" x .13" (1175 x 60 x 3 mm)

recommended sign thickness = .125" (3 mm)

IFS anti-microbial coatings use naturally-occurring, environmentally sustainable, silver ions to help inhibit the growth of microbes on the powder coated surface. See www.hatcocorp.com/antimicrobial-paint for more information.

For operation, location and safety information, please refer to the Installation and Operating Manual.



HATCO CORPORATION | P.O. Box 340500 Milwaukee, WI 53234-0500 U.S.A. | (800) 558-0607 | (414) 671-6350

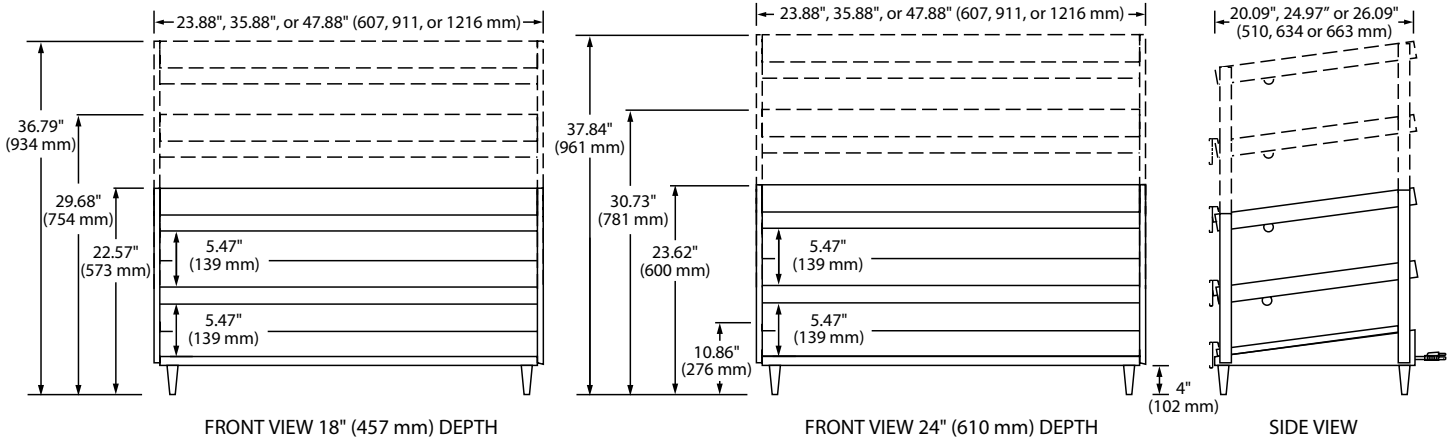


www.hatcocorp.com | support@hatcocorp.com | [Find a Hatco Rep](#) | [Image Library](#) | [Document Library](#) | [Chat](#)



Glo-Ray® Pizza Warmers

Models: GRPWS-2424, -3624, -4824, -2418D, 3618D, -4818D, -2424D, -3624D, -4824D, -2418T, 3618T, -4818T, -2424T, -3624T, -4824T, -2418Q, -3618Q, -4818Q, -2424Q, -3624Q, -4824Q



SPECIFICATIONS

Base only — Slant Display Warmers with Base Heat Only, no Lights

| Model | Dimensions (W x D x H) height includes legs | Heated Shelf Space (W x D) | Bulbs, Divider Rods | Volts Single Phase | Watts | Amps | Plug | Ship Weight* |
|-------------|---|--------------------------------|------------------------|-----------------------|-------|------|------------|-----------------|
| GRPWS-2424* | 23.07" x 24.97" x 7.87" (545 x 634 x 200 mm) | 22.5" x 21" (571 x 533 mm) | 0, 5 | 120 | 345 | 2.9 | NEMA 5-15P | 40 lbs. (18 kg) |
| GRPWS-3624* | 35.07" x 24.97" x 7.87" (891 x 634 x 200 mm) | 34.5" x 21" (8760 x 533 mm) | 0, 7 | 120 | 505 | 4.2 | NEMA 5-15P | 45 lbs. (21 kg) |
| GRPWS-4824 | 47.07" x 24.97" x 10.86" (1196 x 634 x 276 mm) | 46.5" x 21" (1181 x 533 mm) | 0, 9 | 120 | 660 | 5.5 | NEMA 5-15P | 60 lbs. (28 kg) |

* Shipping weight includes packaging.

• Height includes 1" (25 mm) legs. Other models ship with 4" (102 mm) legs.

Dual Shelf — Slant Display Warmers with Base Heat Only, LED Lighting

| Model | Dimensions (W x D x H) includes 4" (102 mm) legs | Heated Shelf Space (W x D) | Bulbs, Divider Rods | Volts Single Phase | Watts | Amps | Plug | Ship Weight* |
|-------------|---|----------------------------------|------------------------|-----------------------|-------|-----------|-------------------------|-------------------|
| GRPWS-2418D | 23.9" x 20.09" x 22.6" (606 x 510 x 573 mm) | 22.6" x 17.8" (573 x 453 mm) | 4, 0 | 120 | 960 | 8.0 | NEMA 5-15P | 76 lbs. (35 kg) |
| GRPWS-3618D | 35.9" x 20.1" x 22.6" (911 x 510 x 573 mm) | 34.6" x 17.8" (878 x 453 mm) | 6, 0 | 120 | 1440 | 12.0 | NEMA 5-15P | 106 lbs. (48 kg) |
| GRPWS-4818D | 47.9" x 20.1" x 22.6" (1216 x 510 x 573 mm) | 46.6" x 17.8" (1183 x 453 mm) | 8, 0 | 120 | 1920 | 16.0 | NEMA 5-20P | 136 lbs. (62 kg) |
| | | | | 120/208-240 | 1920 | 8.0/8.0 | NEMA L14-20P | |
| GRPWS-2424D | 23.9" x 26.1" x 23.6" (606 x 662 x 600 mm) | 22.6" x 23.8" (573 x 605 mm) | 4, 0 | 120 | 1200 | 108.0 | NEMA 5-15P | 108 lbs. (494 kg) |
| GRPWS-3624D | 35.9" x 26.1" x 23.6" (911 x 662 x 600 mm) | 34.6" x 23.8" (878 x 605 mm) | 6, 0 | 120 | 1800 | 15.0 | NEMA 5-15P [▲] | 136 lbs. (62 kg) |
| GRPWS-4824D | 47.9" x 26.1" x 23.6" (1216 x 662 x 600 mm) | 46.6" x 23.8" (1183 x 605 mm) | 8, 0 | 120/208-240 | 2390 | 10.0/10.0 | NEMA L14-20P | 177 lbs. (80 kg) |

* Shipping weight includes packaging.

▲ Canadian models use NEMA 5-20P.

HATCO CORPORATION | P.O. Box 340500 Milwaukee, WI 53234-0500 U.S.A. | (800) 558-0607 | (414) 671-6350



www.hatcocorp.com | support@hatcocorp.com | [Find a Hatco Rep](#) | [Image Library](#) | [Document Library](#) | [Chat](#)



Glo-Ray® Pizza Warmers

Models: GRPWS-2424, -3624, -4824, -2418D, 3618D, -4818D, -2424D, -3624D, -4824D, -2418T, 3618T, -4818T, -2424T, -3624T, -4824T, -2418Q, -3618Q, -4818Q, -2424Q, -3624Q, -4824Q

Triple Shelf — Slant Display Warmers with Base Heat Only, LED Lighting

The shaded areas contain electrical information for international models

| Model | Dimensions (W x D x H) includes 4" (102 mm) legs | Heated Shelf Space (W x D) | Bulbs, Divider Rods | Volts Single Phase | Watts | Amps | Plug | Ship Weight* |
|-------------|---|----------------------------------|---------------------------|-----------------------|----------------|----------------|------------------------------------|-------------------|
| GRPWS-2418T | 23.9" x 20.1" x 29.7" (606 x 510 x 754 mm) | 22.6" x 17.8" (573 x 453 mm) | 6, 0 | 120 | 1440 | 12.0 | NEMA 5-15P | 98 lbs. (45 kg) |
| GRPWS-3618T | 35.9" x 20.1" x 29.7" (911 x 510 x 754 mm) | 34.6" x 17.8" (878 x 453 mm) | 9, 0 | 120/208-240 | 2160 | 12.0/6.0 | NEMA L14-20P | 136 lbs. (62 kg) |
| GRPWS-4818T | 47.9" x 20.1" x 29.7" (1216 x 510 x 754 mm) | 46.6" x 17.8" (1183 x 453 mm) | 12, 0 | 120/208-240 | 2880 | 16.0/8.0 | NEMA L14-20P* | 175 lbs. (80 kg) |
| GRPWS-2424T | 23.9" x 26.1" x 30.7" (607 x 663 x 781 mm) | 22.6" x 23.8" (573 x 605 mm) | 6, 0 | 120 | 1800 | 15.0 | NEMA 5-15P* | 116 lbs. (53 kg) |
| | | | | 220-230-240 | 1276-1395-1518 | 5.98-6.1-6.3 | CE 7/7 Schuko, BS-1363, AS 3112 | |
| GRPWS-3624T | 35.9" x 26.1" x 30.7" (911 x 663 x 781 mm) | 34.6" x 23.8" (878 x 605 mm) | 9, 0 | 120/208-240 | 3585 | 20.0-10.0 | NEMA L14-20P | 167 lbs. (76 kg) |
| | | | | 220-230-240 | 1800-1967-2143 | 8.2-8.6-8.9 | CE 7/7 Schuko, BS-1363, AS 3112 | |
| GRPWS-4824T | 47.9" x 26.1" x 30.7" (1216 x 663 x 781 mm) | 46.6" x 23.8" (1183 x 605 mm) | 12, 0 | 120/208-240 | 3585 | 20.0-10.0 | NEMA L14-20P* | 227 lbs. (103 kg) |
| | | | | 220-230-240 | 2301-2515-2738 | 10.5-10.9-11.4 | NEMA L14-20P | |

* Shipping weight includes packaging.
* Canadian models use NEMA L14-30P.

Quadruple Shelf — Slant Display Warmers with Base Heat Only, Incandescent Lighting

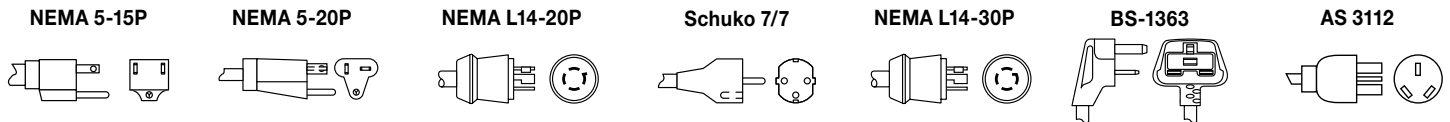
| Model | Dimensions (W x D x H) includes 4" (102 mm) legs | Heated Shelf Space (W x D) | Bulbs, Divider Rods | Volts Single Phase | Watts | Amps | Plug | Ship Weight* |
|-------------|---|------------------------------------|---------------------------|-----------------------|-------|-----------|---------------|-------------------|
| GRPWS-2418Q | 23.88" x 20.09" x 36.79" (607 x 510 x 934 mm) | 22.56" x 17.85" (573 x 453 mm) | 8, 0 | 120/208-240 | 1920 | 8.0/8.0 | NEMA L14-20P | 119 lbs. (54 kg) |
| GRPWS-3618Q | 35.88" x 20.09" x 36.79" (911 x 510 x 934 mm) | 34.56" x 17.85" (877 x 453 mm) | 12, 0 | 120/208-240 | 2880 | 12.0/12.0 | NEMA L14-20P | 157 lbs. (72 kg) |
| GRPWS-4818Q | 47.88" x 20.09" x 36.79" (1216 x 510 x 934 mm) | 46.56" x 17.85" (1182 x 453 mm) | 16, 0 | 120/208-240 | 3840 | 16.0/16.0 | NEMA L14-20P | 214 lbs. (98 kg) |
| GRPWS-2424Q | 23.88" x 26.09" x 37.84" (607 x 663 x 961 mm) | 22.56" x 23.84" (573 x 605 mm) | 8, 0 | 120/208-240 | 2400 | 10.0/10.0 | NEMA L14-20P* | 151 lbs. (69 kg) |
| GRPWS-3624Q | 35.88" x 26.09" x 37.84" (911 x 663 x 961 mm) | 34.56" x 23.84" (877 x 605 mm) | 12, 0 | 120/208-240 | 3600 | 15.0/15.0 | NEMA L14-20P* | 214 lbs. (98 kg) |
| GRPWS-4824Q | 47.88" x 26.09" x 37.84" (1216 x 663 x 961 mm) | 46.56" x 23.84" (1182 x 605 mm) | 16, 0 | 120/208-240 | 4780 | 20.0/20.0 | NEMA L14-20P* | 277 lbs. (126 kg) |

* Shipping weight includes packaging.
* Canadian models use NEMA L14-30P.

CORD LOCATION

Control side at right base side.

PLUG CONFIGURATIONS



PRODUCT SPECS Glo-Ray® Pizza Warmers

The Pizza Warmer shall be a Glo-Ray® Model ... rated at ... volts and ... watts, as manufactured by the Hatco Corporation, Milwaukee, WI 53234 U.S.A.

The warmer shall have ... heated shelves, tempered glass sides (excluding Base only models), hardcoated shelves with box stops and sign holders (excluding Base only models), Dual and Triple shelves have LED lighting, Quadruple shelves have incandescent display lights (excluding Base only models), and 4" (102 mm) legs

(1" [25 mm] legs GRPWS-2424 and -3624). It shall include a temperature control, an On/Off switch for each heat zone and a factory-attached 6' (1829 mm) cord with plug. Options: Designer colors and Hologen bulbs for quadruple models units. Accessories are Chef LED bulbs for quadruple models only.

Warranty consists of 24/7 parts and service assistance (U.S. and Canada only).

HATCO CORPORATION | P.O. Box 340500 Milwaukee, WI 53234-0500 U.S.A. | (800) 558-0607 | (414) 671-6350

www.hatcocorp.com | support@hatcocorp.com | [Find a Hatco Rep](#) | [Image Library](#) | [Document Library](#) | [Chat](#)