

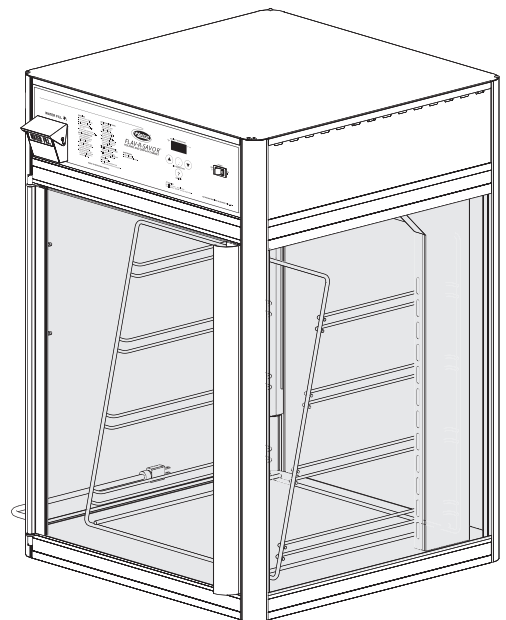
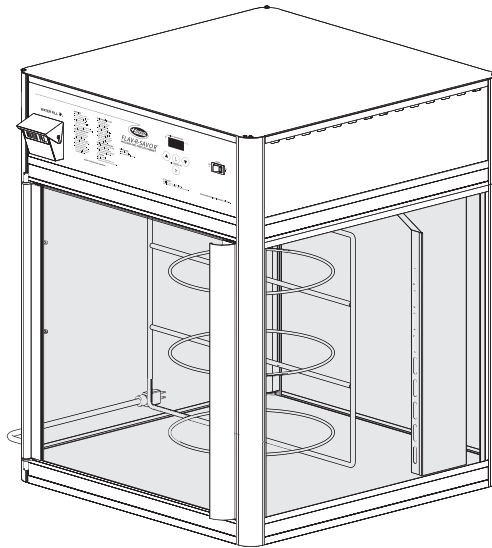


# Flav-R-Savor<sup>®</sup>

## Humidified Holding and Display Cabinets

### *FSD and FSDT Series*

<u>Model Name</u>	<u>Page</u>	<u>Model Name</u>	<u>Page</u>
Common Parts .....	3	FSDT-1 and -2 .....	6
FSD-1 and -2 .....	4	FSDT-1X and -2X .....	7
FSD-1X and -2X .....	5		



# Replacement Parts List

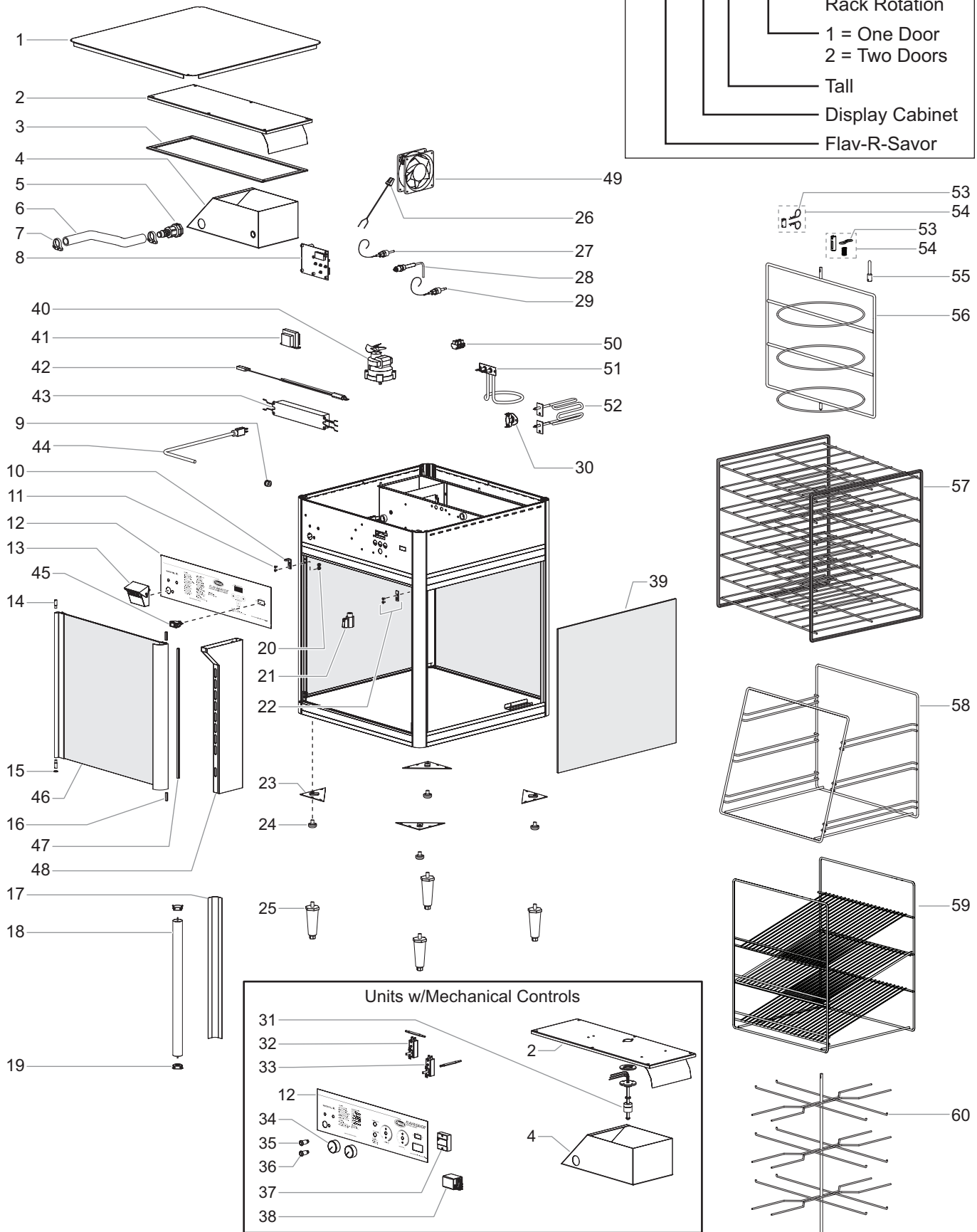
# HATCO FLAV-R-SAVOR® HUMIDIFIED HOLDING AND DISPLAY CABINETS

## FSD and FSdT Series

**Model Designation**

**F S D T - 1 X**

- No Motorized Rack Rotation
- 1 = One Door
- 2 = Two Doors
- Tall
- Display Cabinet
- Flav-R-Savor



## PARTS COMMON TO ALL FSD AND FSDT SERIES MODELS

Item	Description	Part No.	Qty.
1	Hood/Top Cover		
	Black	R04.17.899.01	1
	Gray Granite	R04.17.899.02	1
	Warm Red	R04.17.899.03	1
	White Granite	R04.17.899.04	1
	Navy Blue	R04.17.899.05	1
	Silver Gray	R04.17.899.06	1
	Hunter Green	R04.17.899.07	1
	Gloss White	R04.17.899.08	1
	Antique Copper	R04.17.899.21	1
2	Air Chamber Cover, Electronic	04.17.803.00	1
	Air Chamber Cover, Mechanical	04.17.623.00	1
3	Gasket, Air Chamber *	05.06.028.00	5'
4	Water Tank		
	Electronic		
	Manufactured before Aug. 2012	04.17.804.00	1
	Manufactured after Aug. 2012	04.48.598.00	1
	Mechanical		
	Manufactured before Sept. 2011	04.17.625.00	1
	Manufactured after Sept. 2011	04.48.488.00	1
5	Plumbing Kit, Water Tank	R03.40.058.00	1
6	Fill Tube *	03.40.051.00	2'
7	Hose Clamp	05.04.354.00	2
8	Electronic Controller, 24 V		
	Humidified units	02.01.273.00	1
	Non-Humidified units	02.01.273C.00	1
9	Cord Grip	02.20.276.00	1
10	Door Hinge Bracket	04.17.674.00	2-4
11	Mounting Screws, Hinge Bracket	05.04.442.00	4-8

### PARTS COMMON TO ALL FSD AND FSDT SERIES MODELS—MECHANICAL CONTROL

The following parts are used in place of the Electronic Controller (Item 8) on all units with mechanical controls.

Item	Description	Part No.	Qty.
31	Float Switch, Water Level	R02.01.029.00	1
32	Thermostat Control, Humidity	R02.16.039.00	1
33	Thermostat Control, Temperature	R02.16.039.00	1
34	Knob, Control	05.30.047.00	2

**NOTE:** The last four digits in a ten digit numerical serial number are the manufacturing date code.

Example = Serial number 9625060951 has a date code of "0951" which indicates the following: 0951

└─ Week Fifty-One  
└─ Year 2009

**NOTE:** Quantities shown as a range (example = "2-4") are dependent upon the number of doors on a unit.

\* Item sold in one foot increments.

■ Item used on FSD/FSDT units manufactured through date code 0011.

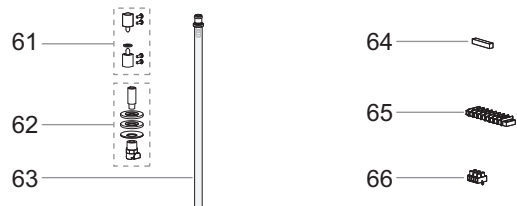


24 Hour 7 Day Parts and Service Assistance available in the United States and Canada by calling 800-558-0607.

Item	Description	Part No.	Qty.
12	Decal, Control Panel		
	Electronic, Humidified	07.03.462.00	1
	Mechanical, Humidified	07.03.288.00	1
	Electronic, Non-Humidified	07.03.662.00	1
	Mechanical, Non-Humidified	07.03.291.00	1
13	Fill Cup Assembly	R05.30.050.00	1
14	Hinge Pin Screw, Door	05.04.146.00	2-4
15	Nylon Washer	05.11.006.00	1-2
16	Magnet Kit, Door	R05.30.076.00	1-2
17	Light Cover, Fluorescent	02.30.076.00	2
18	Display Light, Fluorescent, 15 W	02.30.074.00	2
19	Lamp Socket	02.30.073.00	4
20	Acorn Nut	05.04.443.00	4-8
21	Drain Valve	03.40.105.00	1
22	Striker Plate and Hardware, Door	R04.17.675.00	2-4
23	Bracket, Leg	R04.17.067.00	4
24	Foot, Rubber (standard)	05.30.200.00	4
25	Leg, 4" (optional)	05.30.007.00	4
26	Power Cord, Blower	02.12.001A.00	1
27	Temperature Probe	02.01.203.00	1
28	Low Water Probe	02.40.045.00	1
29	Water Level/Temperature Probe	02.01.204.00	1
30	High-Limit Disk	R02.16.118.00	1

### PARTS FOR OLD VERSION FSD AND FSDT SERIES MODELS

The following parts were used in previous versions of FSD and FSDT Series Models.



Item	Description	Part No.	Qty.
61	Door Hinge Assembly ■	R00.01.0115.00	1-2
62	Ceiling Drain Assembly	R03.40.055.00	1
63	Drain Tube Assembly, Plastic	R03.40.054.00	1
64	Magnet, Proximity Switch	Not Available	1-2
65	Terminal Block, 8-Pole	02.15.012.00	1
66	Terminal Block, 3-Pole	02.15.028.00	2
67	Motor Bearing Lube (not shown)	05.01.018.00	1



Use of replacement parts other than those supplied by Hatco Corporation may result in damage to unit or injury to personnel and will void all warranties.

## PARTS SPECIFIC TO MODELS FSD-1 AND FSD-2

Item Description	120 V	220 V	240 V	220-230 V (CE)	230-240 V (CE)
35 Indicator Light, Humidity Cycle †	02.19.155.00	02.19.157.00	02.19.157.00	02.19.157.00	02.19.157.00
36 Indicator Light, Low Water †	02.19.154.00	02.19.151.00	02.19.151.00	02.19.151.00	02.19.151.00
37 Temperature Display †	R02.16.057.00	R02.16.058.00	R02.16.058.00	R02.16.058.00	R02.16.058.00
38 Control Relay †	02.01.028.00	02.01.043.00	02.01.043.00	02.01.043.00	02.01.043.00
39 Side Glass Panel (Qty. 2-3)	04.40.112.00	04.40.112.00	04.40.112.00	04.40.112.00	04.40.112.00
40 Rack Motor					
Manufactured before Jan. 2014	02.12.005.00	02.12.047.00	02.12.047.00	02.12.047.00	02.12.047.00
Manufactured after Jan. 2014	02.12.142.00	02.12.144.00	02.12.144.00	02.12.144.00	02.12.144.00
41 Transformer	02.17.022.00	02.17.060.00	02.17.060.00	02.17.060.00	02.17.060.00
42 Proximity Switch Assembly (Qty.1-2)	R02.13.346.00	R02.13.346.00	R02.13.346.00	R02.13.346.00	R02.13.346.00
43 Ballast Assembly	R02.30.132.00	R02.30.132.00	R02.30.132.00	R02.30.132.00	R02.30.132.00
44 Power Cord w/Plug ‡	02.18.035.00	02.18.109.00	02.18.120.00	02.18.109.00	02.18.120.00
45 Rocker Switch, On/Off	02.19.080.00	02.19.081.00	02.19.081.00	02.19.081.00	02.19.081.00
46 Door Assembly (Qty. 1-2, includes items 10, 11, 14-16, 20, 22, and 47)	R04.40.113.00	R04.40.113.00	R04.40.113.00	R04.40.113.00	R04.40.113.00
47 Gasket Kit, Door (Qty. 1-2)	R00.01.0135.00	R00.01.0135.00	R00.01.0135.00	R00.01.0135.00	R00.01.0135.00
48 Air Diffuser Tube	04.17.629.00	04.17.629.00	04.17.629.00	04.17.629.00	04.17.629.00
49 Blower Motor	R02.12.001.00	02.12.006.00	02.12.006.00	02.12.006.00	02.12.006.00
50 Terminal Block, 3-Pole	---	---	---	R02.15.030.00	R02.15.030.00
51 Water Element, 325 W	R02.05.006.00	R02.05.016E.00	R02.05.013E.00	R02.05.016E.00	R02.05.013E.00
52 Air Element, 1050 W	R02.05.011.00	R02.05.015E.00	R02.05.012E.00	R02.05.015E.00	R02.05.012E.00
53 Cotter Pin (Qty. 2)	05.04.352.00	05.04.352.00	05.04.352.00	05.04.352.00	05.04.352.00
Butterfly Cotter Pin	05.04.730.00	05.04.730.00	05.04.730.00	05.04.730.00	05.04.730.00
54 Rack Coupling w/Pins	R04.17.615.00	R04.17.615.00	R04.17.615.00	R04.17.615.00	R04.17.615.00
Rack Coupling w/ Pin and Spring	R04.24.357.00	R04.24.357.00	R04.24.357.00	R04.24.357.00	R04.24.357.00
55 Motorless Rack Coupling w/Pin	---	---	---	---	---
56 Circle Rack, 3 Tier (shown)	04.17.640.00	04.17.640.00	04.17.640.00	04.17.640.00	04.17.640.00
Circle Rack, 4 Tier	---	---	---	---	---
Circle Rack, 5 Tier	---	---	---	---	---
57 Multi-Purpose Rack, 5 Shelf	R04.17.012.01	R04.17.012.01	R04.17.012.01	R04.17.012.01	R04.17.012.01
Multi-Purpose Rack, 7 Shelf (shown)	---	---	---	---	---
58 Pan Rack, 3 Tier (shown)	04.17.010.00	04.17.010.00	04.17.010.00	04.17.010.00	04.17.010.00
Pan Rack, 4 Tier	---	---	---	---	---
59 Angle Rack, 3 Shelf	---	---	---	---	---
60 Pretzel Rack, 3 Tier	---	---	---	---	---
Wiring Diagram					
Mechanical Controls	10-01-196	10-01-494	10-01-494	10-01-209	10-01-209
Electronic Controls	10-01-857	10-01-857	10-01-857	10-01-760	10-01-760

NOTE: Quantities shown as a range (example = "2-4") are dependent upon the number of doors on a unit.

† Item used on units with mechanical controls only.

‡ Canadian 120 V units use power cord w/plug P/N 02.18.082.00.

The shaded areas contain information for **International models only**.

## PARTS SPECIFIC TO MODEL FSD-1X AND FSD-2X

Item Description	120 V	220 V	240 V	220–230 V (CE)	230–240 V (CE)
35 Indicator Light, Humidity Cycle †	02.19.155.00	02.19.157.00	02.19.157.00	02.19.157.00	02.19.157.00
36 Indicator Light, Low Water †	02.19.154.00	02.19.151.00	02.19.151.00	02.19.151.00	02.19.151.00
37 Temperature Display †	R02.16.057.00	R02.16.058.00	R02.16.058.00	R02.16.058.00	R02.16.058.00
38 Control Relay †	02.01.028.00	02.01.043.00	02.01.043.00	02.01.043.00	02.01.043.00
39 Side Glass Panel (Qty. 2–3)	04.40.112.00	04.40.112.00	04.40.112.00	04.40.112.00	04.40.112.00
40 Rack Motor	---	---	---	---	---
41 Transformer	02.17.022.00	02.17.060.00	02.17.060.00	02.17.060.00	02.17.060.00
42 Proximity Switch Assembly	---	---	---	---	---
43 Ballast Assembly	R02.30.132.00	R02.30.132.00	R02.30.132.00	R02.30.132.00	R02.30.132.00
44 Power Cord w/Plug ‡	02.18.035.00	02.18.109.00	02.18.120.00	02.18.109.00	02.18.120.00
45 Rocker Switch, On/Off	02.19.080.00	02.19.081.00	02.19.081.00	02.19.081.00	02.19.081.00
46 Door Assembly (Qty. 1–2, includes items 10, 11, 14–16, 20, 22, and 47)	R04.40.113.00	R04.40.113.00	R04.40.113.00	R04.40.113.00	R04.40.113.00
47 Gasket Kit, Door (Qty. 1–2)	R00.01.0135.00	R00.01.0135.00	R00.01.0135.00	R00.01.0135.00	R00.01.0135.00
48 Air Diffuser Tube	04.17.629.00	04.17.629.00	04.17.629.00	04.17.629.00	04.17.629.00
49 Blower Motor	R02.12.001.00	02.12.006.00	02.12.006.00	02.12.006.00	02.12.006.00
50 Terminal Block, 3-Pole	---	---	---	R02.15.030.00	R02.15.030.00
51 Water Element, 325 W	R02.05.006.00	R02.05.016E.00	R02.05.013E.00	R02.05.016E.00	R02.05.013E.00
52 Air Element, 1050 W	R02.05.011.00	R02.05.015E.00	R02.05.012E.00	R02.05.015E.00	R02.05.012E.00
53 Cotter Pin	05.04.352.00	05.04.352.00	05.04.352.00	05.04.352.00	05.04.352.00
54 Rack Coupling w/Pins	---	---	---	---	---
55 Motorless Rack Coupling w/Pin (includes item 53)	R04.24.087.00	R04.24.087.00	R04.24.087.00	R04.24.087.00	R04.24.087.00
56 Circle Rack, 3 Tier (shown)	04.17.640.00	04.17.640.00	04.17.640.00	04.17.640.00	04.17.640.00
Circle Rack, 4 Tier	---	---	---	---	---
Circle Rack, 5 Tier	---	---	---	---	---
57 Multi-Purpose Rack, 5 Shelf	R04.17.012.01	R04.17.012.01	R04.17.012.01	R04.17.012.01	R04.17.012.01
Multi-Purpose Rack, 7 Shelf (shown)	---	---	---	---	---
58 Pan Rack, 3 Tier (shown)	04.17.010.00	04.17.010.00	04.17.010.00	04.17.010.00	04.17.010.00
Pan Rack, 4 Tier	---	---	---	---	---
59 Angle Rack, 3 Shelf	---	---	---	---	---
60 Pretzel Rack, 3 Tier	---	---	---	---	---
Wiring Diagram					
Mechanical Controls	10-01-196	10-01-494	10-01-494	10-01-209	10-01-209
Electronic Controls	10-01-857	10-01-857	10-01-857	10-01-760	10-01-760

NOTE: Quantities shown as a range (example = “2–4”) are dependent upon the number of doors on a unit.

† Item used on units with mechanical controls only.

‡ Canadian 120 V units use power cord w/plug P/N 02.18.082.00.

The shaded areas contain information for **International models only**.

## PARTS SPECIFIC TO MODEL FSDT-1 AND FSDT-2

Item Description	120 V	220 V	240 V	220–230 V (CE)	230–240 V (CE)
35 Indicator Light, Humidity Cycle †	02.19.155.00	02.19.157.00	02.19.157.00	02.19.157.00	02.19.157.00
36 Indicator Light, Low Water †	02.19.154.00	02.19.151.00	02.19.151.00	02.19.151.00	02.19.151.00
37 Temperature Display †	R02.16.057.00	R02.16.058.00	R02.16.058.00	R02.16.058.00	R02.16.058.00
38 Control Relay †	02.01.028.00	02.01.043.00	02.01.043.00	02.01.043.00	02.01.043.00
39 Side Glass Panel (Qty. 2–3)	04.40.114.00	04.40.114.00	04.40.114.00	04.40.114.00	04.40.114.00
40 Rack Motor	02.12.005.00	02.12.047.00	02.12.047.00	02.12.047.00	02.12.047.00
Manufactured before Jan. 2014	02.12.005.00	02.12.047.00	02.12.047.00	02.12.047.00	02.12.047.00
Manufactured after Jan. 2014	02.12.142.00	02.12.144.00	02.12.144.00	02.12.144.00	02.12.144.00
41 Transformer	02.17.022.00	02.17.060.00	02.17.060.00	02.17.060.00	02.17.060.00
42 Proximity Switch Assembly (Qty.1–2)	R02.13.346.00	R02.13.346.00	R02.13.346.00	R02.13.346.00	R02.13.346.00
43 Ballast Assembly	R02.30.132.00	R02.30.132.00	R02.30.132.00	R02.30.132.00	R02.30.132.00
44 Power Cord w/Plug ‡	02.18.035.00	02.18.109.00	02.18.120.00	02.18.109.00	02.18.120.00
45 Rocker Switch, On/Off	02.19.080.00	02.19.081.00	02.19.081.00	02.19.081.00	02.19.081.00
46 Door Assembly (Qty. 1–2, includes items 10, 11, 14–16, 20, 22, and 47)	R04.40.115.00	R04.40.115.00	R04.40.115.00	R04.40.115.00	R04.40.115.00
47 Gasket Kit, Door (Qty. 1–2)	R00.01.0135.00	R00.01.0135.00	R00.01.0135.00	R00.01.0135.00	R00.01.0135.00
48 Air Diffuser Tube	04.17.627.00	04.17.627.00	04.17.627.00	04.17.627.00	04.17.627.00
49 Blower Motor	R02.12.001.00	02.12.006.00	02.12.006.00	02.12.006.00	02.12.006.00
50 Terminal Block, 3-Pole	---	---	---	R02.15.030.00	R02.15.030.00
51 Water Element, 325 W	R02.05.006.00	R02.05.016E.00	R02.05.013E.00	R02.05.016E.00	R02.05.013E.00
52 Air Element, 1050 W	R02.05.011.00	R02.05.015E.00	R02.05.012E.00	R02.05.015E.00	R02.05.012E.00
53 Cotter Pin (Qty. 2)	05.04.352.00	05.04.352.00	05.04.352.00	05.04.352.00	05.04.352.00
Butterfly Cotter Pin	05.04.730.00	05.04.730.00	05.04.730.00	05.04.730.00	05.04.730.00
54 Rack Coupling w/Pins	R04.17.615.00	R04.17.615.00	R04.17.615.00	R04.17.615.00	R04.17.615.00
Rack Coupling w/ Pin and Spring	R04.24.357.00	R04.24.357.00	R04.24.357.00	R04.24.357.00	R04.24.357.00
55 Motorless Rack Coupling w/Pin	---	---	---	---	---
56 Circle Rack, 3 Tier (shown)	---	---	---	---	---
Circle Rack, 4 Tier	04.17.641.00	04.17.641.00	04.17.641.00	04.17.641.00	04.17.641.00
Circle Rack, 5 Tier	04.17.642.00	04.17.642.00	04.17.642.00	04.17.642.00	04.17.642.00
57 Multi-Purpose Rack, 5 Shelf	---	---	---	---	---
Multi-Purpose Rack, 7 Shelf (shown)	R04.17.012.00	R04.17.012.00	R04.17.012.00	R04.17.012.00	R04.17.012.00
58 Pan Rack, 3 Tier (shown)	04.17.010.00	04.17.010.00	04.17.010.00	04.17.010.00	04.17.010.00
Pan Rack, 4 Tier	04.17.027.00	04.17.027.00	04.17.027.00	04.17.027.00	04.17.027.00
59 Angle Rack, 3 Shelf	R04.17.013.00	R04.17.013.00	R04.17.013.00	R04.17.013.00	R04.17.013.00
60 Pretzel Rack, 3 Tier ◆	04.17.689.00	04.17.689.00	04.17.689.00	04.17.689.00	04.17.689.00
Wiring Diagram					
Mechanical Controls	10-01-196	10-01-494	10-01-494	10-01-209	10-01-209
Electronic Controls	10-01-857	10-01-857	10-01-857	10-01-760	10-01-760

NOTE: Quantities shown as a range (example = “2–4”) are dependent upon the number of doors on a unit.

† Item used on units with mechanical controls only.

‡ Canadian 120 V units use power cord w/plug P/N 02.18.082.00.

◆ Needs Spacer P/N 05.06.154.00 when used with Spring Loaded Coupling P/N R04.24.357.00.

The shaded areas contain information for **International models only**.



## PARTS SPECIFIC TO MODEL FSDT-1X AND FSDT-2X

Item Description	120 V	220 V	240 V	220–230 V (CE)	230–240 V (CE)
35 Indicator Light, Humidity Cycle †	02.19.155.00	02.19.157.00	02.19.157.00	02.19.157.00	02.19.157.00
36 Indicator Light, Low Water †	02.19.154.00	02.19.151.00	02.19.151.00	02.19.151.00	02.19.151.00
37 Temperature Display †	R02.16.057.00	R02.16.058.00	R02.16.058.00	R02.16.058.00	R02.16.058.00
38 Control Relay †	02.01.028.00	02.01.043.00	02.01.043.00	02.01.043.00	02.01.043.00
39 Side Glass Panel (Qty. 2–3)	04.40.114.00	04.40.114.00	04.40.114.00	04.40.114.00	04.40.114.00
40 Rack Motor	---	---	---	---	---
41 Transformer	02.17.022.00	02.17.060.00	02.17.060.00	02.17.060.00	02.17.060.00
42 Proximity Switch Assembly	---	---	---	---	---
43 Ballast Assembly	R02.30.132.00	R02.30.132.00	R02.30.132.00	R02.30.132.00	R02.30.132.00
44 Power Cord w/Plug ‡	02.18.035.00	02.18.109.00	02.18.120.00	02.18.109.00	02.18.120.00
45 Rocker Switch, On/Off	02.19.080.00	02.19.081.00	02.19.081.00	02.19.081.00	02.19.081.00
46 Door Assembly (Qty. 1–2, includes items 10, 11, 14–16, 20, 22, and 47)	R04.40.115.00	R04.40.115.00	R04.40.115.00	R04.40.115.00	R04.40.115.00
47 Gasket Kit, Door (Qty. 1–2)	R00.01.0135.00	R00.01.0135.00	R00.01.0135.00	R00.01.0135.00	R00.01.0135.00
48 Air Diffuser Tube	04.17.627.00	04.17.627.00	04.17.627.00	04.17.627.00	04.17.627.00
49 Blower Motor	R02.12.001.00	02.12.006.00	02.12.006.00	02.12.006.00	02.12.006.00
50 Terminal Block, 3-Pole	---	---	---	R02.15.030.00	R02.15.030.00
51 Water Element, 325 W	R02.05.006.00	R02.05.016E.00	R02.05.013E.00	R02.05.016E.00	R02.05.013E.00
52 Air Element, 1050 W	R02.05.011.00	R02.05.015E.00	R02.05.012E.00	R02.05.015E.00	R02.05.012E.00
53 Cotter Pin	05.04.352.00	05.04.352.00	05.04.352.00	05.04.352.00	05.04.352.00
54 Rack Coupling w/Pins	---	---	---	---	---
55 Motorless Rack Coupling w/Pin	R04.24.087.00	R04.24.087.00	R04.24.087.00	R04.24.087.00	R04.24.087.00
56 Circle Rack, 3 Tier (shown)	---	---	---	---	---
Circle Rack, 4 Tier	04.17.641.00	04.17.641.00	04.17.641.00	04.17.641.00	04.17.641.00
Circle Rack, 5 Tier	04.17.642.00	04.17.642.00	04.17.642.00	04.17.642.00	04.17.642.00
57 Multi-Purpose Rack, 5 Shelf	---	---	---	---	---
Multi-Purpose Rack, 7 Shelf (shown)	R04.17.012.00	R04.17.012.00	R04.17.012.00	R04.17.012.00	R04.17.012.00
58 Pan Rack, 3 Tier (shown)	04.17.010.00	04.17.010.00	04.17.010.00	04.17.010.00	04.17.010.00
Pan Rack, 4 Tier	04.17.027.00	04.17.027.00	04.17.027.00	04.17.027.00	04.17.027.00
59 Angle Rack, 3 Shelf	R04.17.013.00	R04.17.013.00	R04.17.013.00	R04.17.013.00	R04.17.013.00
60 Pretzel Rack, 3 Tier	04.17.689.00	04.17.689.00	04.17.689.00	04.17.689.00	04.17.689.00
Wiring Diagram					
Mechanical Controls	10-01-196	10-01-494	10-01-494	10-01-209	10-01-209
Electronic Controls	10-01-857	10-01-857	10-01-857	10-01-760	10-01-760

NOTE: Quantities shown as a range (example = “2–4”) are dependent upon the number of doors on a unit.

† Item used on units with mechanical controls only.

‡ Canadian 120 V units use power cord w/plug P/N 02.18.082.00.

The shaded areas contain information for **International models only**.

# AUTHORIZED PARTS DISTRIBUTORS • AUTORISÉS DISTRIBUTEURS DE PIÈCES

## ALABAMA

Jones McLeod Appl. Svc.  
Birmingham 205-251-0159

## ARIZONA

Service Solutions Group  
Phoenix 602-234-2443

Byassee Equipment Co.  
Phoenix 602-252-0402

## CALIFORNIA

Industrial Electric  
Commercial Parts & Service, Inc.  
Huntington Beach 714-379-7100

Chapman Appl. Service  
San Diego 619-298-7106

P & D Appliance  
Commercial Parts & Service, Inc.  
S. San Francisco 650-635-1900

## COLORADO

Hawkins Commercial Appliance  
Englewood 303-781-5548

## FLORIDA

Whaley Foodservice Repair  
Jacksonville 904-725-7800

3Wire Nass Service Co., Inc.  
Orlando 407-425-2681

B.G.S.I.  
Pompano Beach 954-971-0456

Comm. Appliance Service  
Tampa 813-663-0313

## GEORGIA

TWC Services  
Mableton 770-438-9797

Heritage Service Group  
Norcross 866-388-9837

Southeastern Rest. Svc.  
Norcross 770-446-6177

## HAWAII

Burney's Comm. Service, Inc.  
Honolulu 808-848-1466

Food Equip Parts & Service  
Honolulu 808-847-4871

## ILLINOIS

Parts Town  
Lombard 708-865-7278

Eichenauer Elec. Service  
Decatur 217-429-4229

Midwest Elec. Appl. Service  
Elmhurst 630-279-8000

Cone's Repair Service  
Moline 309-797-5323

## INDIANA

GCS Service  
Indianapolis 800-727-8710

## IOWA

Goodwin Tucker Group  
Des Moines 515-262-9308

## KENTUCKY

Service Solutions Group  
Lexington 859-254-8854

Service Solutions Group  
Louisville 502-451-5411

## LOUISIANA

Chandlers Parts & Service  
Baton Rouge 225-272-6620

## MARYLAND

Electric Motor Service  
Baltimore 410-467-8080

GCS Service  
Silver Spring 301-585-7550

## MASSACHUSETTS

Ace Service Co., Inc.  
Needham 781-449-4220

## MICHIGAN

Bildons Appliance Service  
Detroit 248-478-3320

Commercial Kitchen Service  
Bay City 989-893-4561

Midwest Food Equip. Service  
Grandville 616-261-2000

## MINNESOTA

GCS Service  
Minnetonka 800-822-2303  
x20365

## MISSOURI

General Parts  
Kansas City 816-421-5400

Commercial Kitchen Services  
St. Louis 314-890-0700

Kaemmerlen Parts & Service  
St. Louis 314-535-2222

## NEBRASKA

Anderson Electric  
Omaha 402-341-1414

## NEVADA

Burney's Commercial  
Las Vegas 702-736-0006

Hi. Tech Commercial Service  
N. Las Vegas 702-649-4616

## NEW JERSEY

Jay Hill Repair  
Fairfield 973-575-9145

Service Plus  
Flanders 973-691-6300

## NEW YORK

Acme American Repairs, Inc.  
Brooklyn 718-456-6544

Alpro Service Co.  
Brooklyn 718-386-2515

Appliance Installation  
Buffalo 716-884-7425

Duffy's Equipment Services, Inc.  
Buffalo 800-836-1014

3Wire Northern  
Plattsburgh 800-634-5005

Duffy's Equipment Services, Inc.  
Sauquoit 800-836-1014

J.B. Brady, Inc.  
Syracuse 315-422-9271

## NORTH CAROLINA

Authorized Appliance  
Charlotte 704-377-4501

## OHIO

Akron/Canton Comm. Svc. Inc.  
Akron 330-753-6634

Service Solutions Group  
Cincinnati 513-772-6600

Commercial Parts and Service  
Columbus 614-221-0057

Electrical Appl. Repair Service  
Brooklyn Heights 216-459-8700

E. A. Wichman Co.  
Toledo 419-385-9121

## OKLAHOMA

Hagar Rest. Service, Inc.  
Oklahoma City 405-235-2184

Krueger, Inc.  
Oklahoma City 405-528-8883

## OREGON

Ron's Service, Inc.  
Portland 503-624-0890

## PENNSYLVANIA

Elmer Schultz Services  
Philadelphia 215-627-5401

FAST Comm. Appl. Service  
Philadelphia 215-288-4800

Appliance Installation & Service  
Pittsburgh 412-809-0244

K & D Service Co.  
Harrisburg 717-236-9039

Electric Repair Co.  
Reading 610-376-5444

## RHODE ISLAND

Marshall Electric Co.  
Providence 401-331-1163

## SOUTH CAROLINA

Whaley Foodservice Repair  
Lexington 803-996-9900

## TENNESSEE

Camp Electric  
Memphis 901-527-7543

## TEXAS

GCS Service  
Fort Worth 800-433-1804

Armstrong Repair Service  
Houston 713-666-7100

Cooking Equipment Specialist  
Mesquite 972-686-6666

Commercial Kitchen Repair Co.  
San Antonio 210-735-2811

## UTAH

La Monica's Rest. Equip. Service  
Murray 801-263-3221

## VIRGINIA

Daubers  
Norfolk 757-855-4097

Daubers  
Springfield 703-866-3600

## WASHINGTON

3Wire Restaurant Appliance  
Seattle 800-207-3146

## WISCONSIN

A.S.C., Inc.  
Madison 608-246-3160

A.S.C., Inc.  
Milwaukee 414-543-6460

## CANADA

### ALBERTA

Key Food Equipment Service  
Edmonton 780-438-1690

### BRITISH COLUMBIA

Key Food Equipment Service  
Vancouver 604-433-4484

Key Food Equipment Service  
Victoria 250-920-4888

### MANITOBA

Air Rite, Inc.  
Winnipeg 204-895-2300

### NEW BRUNSWICK

EMR Services, Ltd.  
Moncton 506-855-4228

### ONTARIO

R.G. Henderson Ltd.  
Toronto 416-422-5580

Choquette - CKS, Inc.  
Ottawa 613-739-8458

### QUÉBEC

Choquette - CKS, Inc.  
Montreal 514-722-2000

Choquette - CKS, Inc.  
Québec City 418-681-3944

## UNITED KINGDOM

Marren Group  
Northants +44(0)1933 665313

**HATCO CORPORATION**  
P.O. Box 340500  
Milwaukee, WI 53234-0500 U.S.A.  
800-558-0607 414-671-6350  
Parts and Service Fax 800-690-2966  
International Fax 414-671-3976  
partsandservice@hatcocorp.com  
www.hatcocorp.com