

# Parts Catalog



**Model RG30**

## **ELECTRIC ROLLER GRILL**

**MODELS:  
RG30 & RG50**

01-20-2011  
IMPORTANT!

TO EXPEDITE SHIPMENT OF PARTS, ALWAYS SPECIFY MODEL, REV,  
PART NUMBER, AND SERIAL NUMBER OF SLICER.

### **GLOBE FOOD EQUIPMENT COMPANY**

2215 East River Road  
Dayton, Ohio 45439

#### **Parts Department**

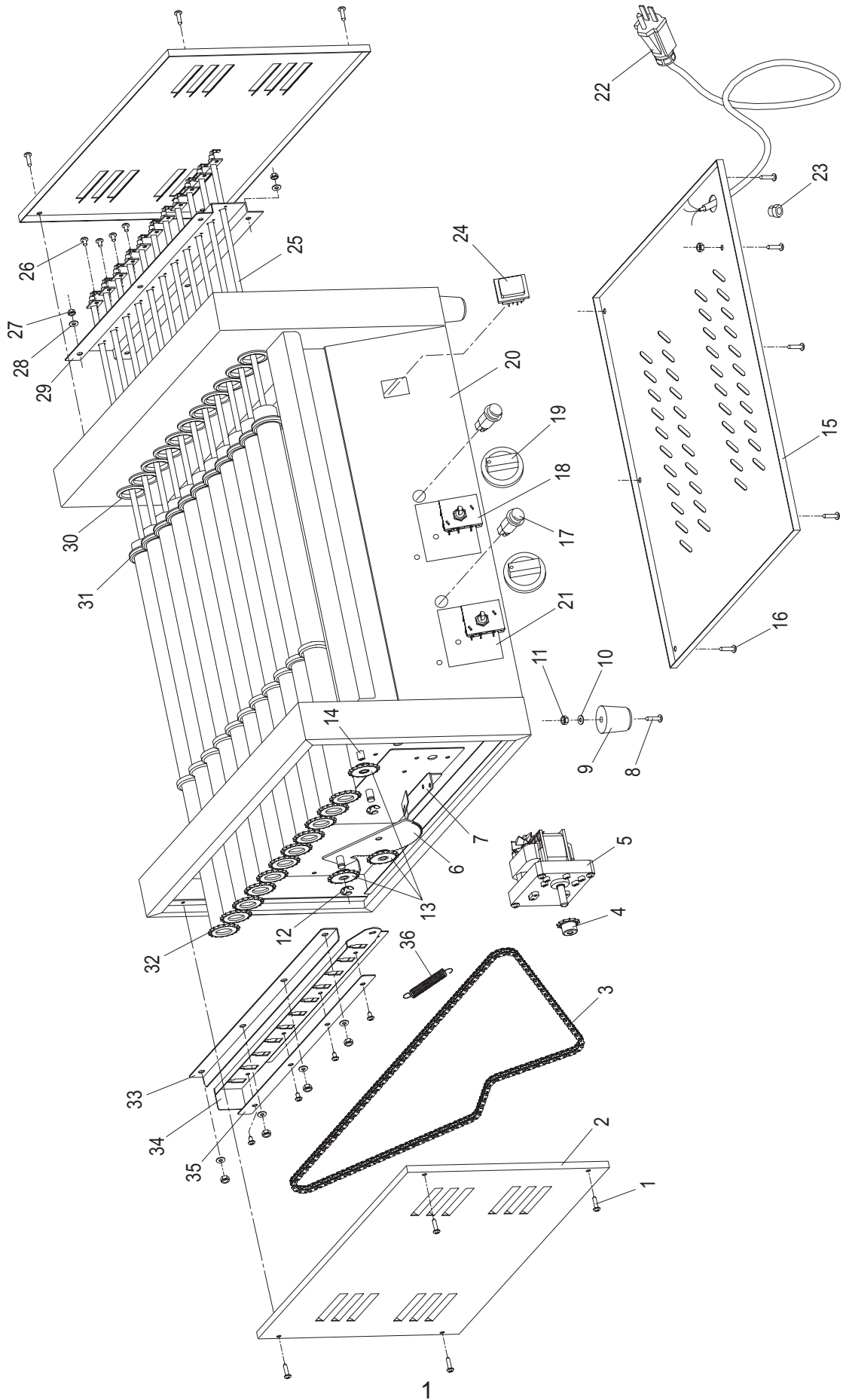
Toll Free 1-800-745-6238 · Fax (937) 290-0585

E-Mail: [globeinfo@globeslicers.com](mailto:globeinfo@globeslicers.com)

Website: [www.globeslicers.com](http://www.globeslicers.com)

Not for resale

# RG30 & RG50 ROLLER GRILL COMPONENTS



# RG30 & RG50 PARTS LIST

## Roller Grill Part Numbers

Item	Description	RG30	RG50	Qty	Item	Description	RG30	RG50
1	Screw	-	-	8	19	Knob	U02101155013	
2	Side Panel	-	-	2	20	Grill Body	-	-
3	Chain	U01021005010		1	21	Mica Plate	U01991090026	
4	Motor Gear	U01021005059		1	22	Power Cord & Plug	U03021205012	
5	Motor	U03011200004		1	23	Strain Relief	U02101155021	
6	Chain Adjusting Assy	U06051470237		1	24	Power Switch	U03041215027	
7	Spring Plate	U01051025827		1	25	Heating Element	U03061225040	U03061225042
8	Screw	-	-	4	26	Screw	-	-
9	Foot	U02121165003		4	27	M4 Nut	-	-
10	M5 Washer	-	-	4	28	M4 Washer	-	-
11	Nut	-	-	7	29	Right Baffle	-	-
12	E-Clip Retaining Ring	U66991845009		2	30	Gum Cover	U02101155052	
13	Gear	U01021005035		3	31	Quadric Sealing	U02101155055	
14	Sleeve	U01021005067		1	32	Roller	U01091050029	U01091050028
15	Base Plate	-	-	1	33	Left Baffle (Upper)	-	-
16	Screw	-	-	5	34	Left Baffle (Lower)	-	-
17	Indicator Light	U03091240005		2	35	Element Fixing Plate	-	-
18	Thermostat	U03041215007		2	36	Spring	U01011000006	

# WIRING DIAGRAM, RG30/RG50

