

Parts Catalog



GHP24G

GAS COOKING EQUIPMENT

CHARBROILERS

RADIANT MODELS: GCB15G, GCB24G, GCB36G & GCB48G

CHAR ROCK MODELS: GCBRK15G, GCBRK24G, GCBRK36G & GCBRK48G

FRYERS

NATURAL GAS MODELS: GF15G & GF30G

LP GAS MODELS: GF15PG & GF30PG

GRIDDLES

MANUALLY CONTROLLED MODELS: GG15G, GG24G, GG36G & GG48G

THERMOSTATICALLY CONTROLLED MODELS: GG15TG, GG24TG, GG36TG & GG48TG

HOT PLATES

MODELS: GHP12G, GHP24G & GHP36G

06-29-11

IMPORTANT! TO EXPEDITE SHIPMENT OF PARTS, ALWAYS SPECIFY MODEL, REV, PART NUMBER, AND SERIAL NUMBER OF SLICER.

GLOBE FOOD EQUIPMENT COMPANY

2215 East River Road Dayton, Ohio 45439

Parts Department

Toll Free 1-800-745-6238 · Fax (937) 290-0585

E-Mail: globeinfo@globeslicers.com Website: www.globeslicers.com

Not for resale

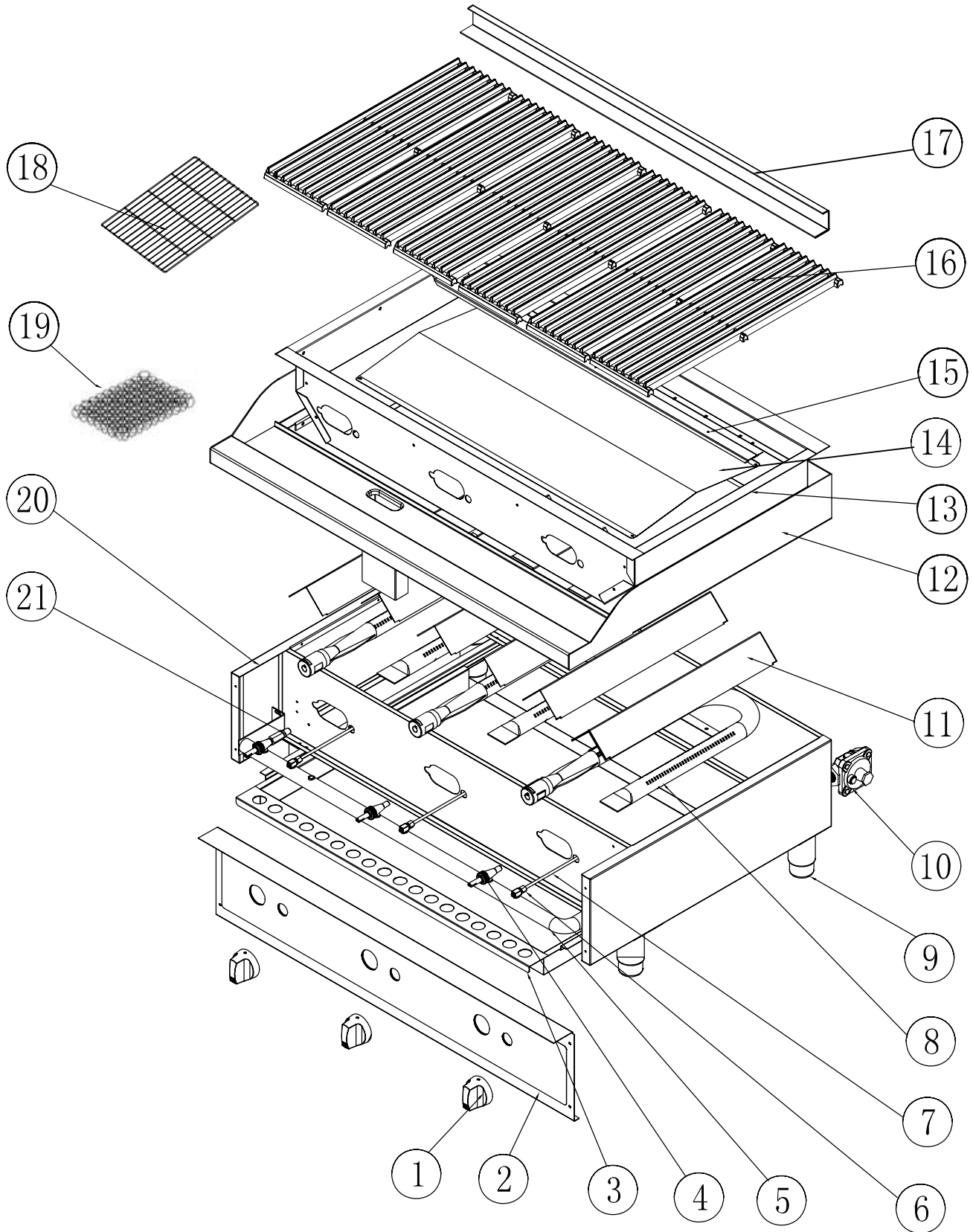
TABLE OF CONTENTS

	<u>PAGE</u>
CHARBROILERS	
<hr/>	
RADIANT MODELS: GCB15G, GCB24G, GCB36G & GCB48G	1 - 2
LAVA ROCK MODELS: GCBRK15G, GCBRK24G, GCBRK36G & GCBRK48G	
<hr/>	
FRYERS	
<hr/>	
NATURAL GAS MODELS: GF15G & GF30G	3 - 4
LP GAS MODELS: GF15PG & GF30PG	
<hr/>	
GRIDDLES	
<hr/>	
MANUALLY CONTROLLED MODELS: GG15G, GG24G, GG36G & GG48G	5 - 6
THERMOSTATICALLY CONTROLLED MODELS: GG15TG, GG24TG, GG36TG & GG48TG	
<hr/>	
HOT PLATES	
<hr/>	
MODELS: GHP12G, GHP24G, GHP36G	7 - 8
<hr/>	

CHARBROILER COMPONENTS:

Radiant Models GCB15G, GCB24G, GCB36G, & GCB48G

Char Rock Models GCB15G, GCB24G, GCB36G, & GCB48G



CHARBROILER PARTS LIST:
Radiant Models GCB15G, GCB24G, GCB36G, & GCB48G
Char Rock Models GCB15G, GCB24G, GCB36G, & GCB48G

ITEM	PART NUMBER	DESCRIPTION	QTY
1	U01021005188	CONTROL KNOB	3
2	N/A	CONTROL PANEL GCB15G/GCBRK15G	1
	N/A	CONTROL PANEL GCB24G/GCBRK24G	
	N/A	CONTROL PANEL GCB36G/GCBRK36G	
3	N/A	DRIP TRAY GCB15G/GCBRK15G	1
	N/A	DRIP TRAY GCB24G/GCBRK24G	
	N/A	DRIP TRAY GCB36G/GCBRK36G	
4	U01201068502	VALVE, MANUAL CONTROL UNIT	3
5	N/A	MANIFOLD ASSEMBLY	1
6	U01201068509	PILOT VALVE, SINGLE - MANUAL CONTROL	3
7	U06051470667	PIPE OF PILOT ASSEMBLY	3
8	U06051470384	STAINLESS STEEL BURNER ASSY. "U" SHAPE	3
9	U01021005165	ADJUSTABLE STAINLESS STEEL FEET	4
10	U01221069501	REGULATOR, 6" NAT or 10" LP, 3/4"-PT	1
11	U01051026069	RADIANT PLATE	6
12	N/A	MAIN ENCLOSURE, UPPER	1
13	N/A	ISOLATING PLATE ASSEMBLY	1
14	N/A	ISOLATING PLATE, LOWER	1
15	N/A	PANEL, BURNER SUPPORT	1
16	N/A	COOKING GRATE	6
17	U01051026288	PANEL, GRATE SUPPORT	1
18	U01111062033	CHAR ROCK RACK	3
19	U06991545001	CHAR ROCK KIT (1 BURNER, 40 PIECES EACH)	1, 2, 3, 4
20	U06051470602	MAIN ENCLOSURE, LOWER	1
21	U01201068636	MAIN INJECTOR #36 NG	3
	U01201068649	MAIN INJECTOR #49 LPG	
ITEMS BELOW ARE NOT SHOWN IN EXPLODED PARTS VIEW			
22	N/A	CONNECTOR 3/8-27UNS	-
23	N/A	IGNITION BAR	1

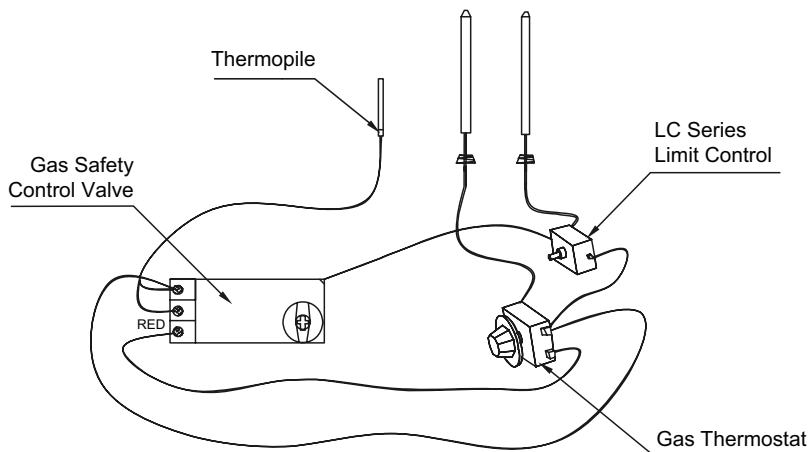
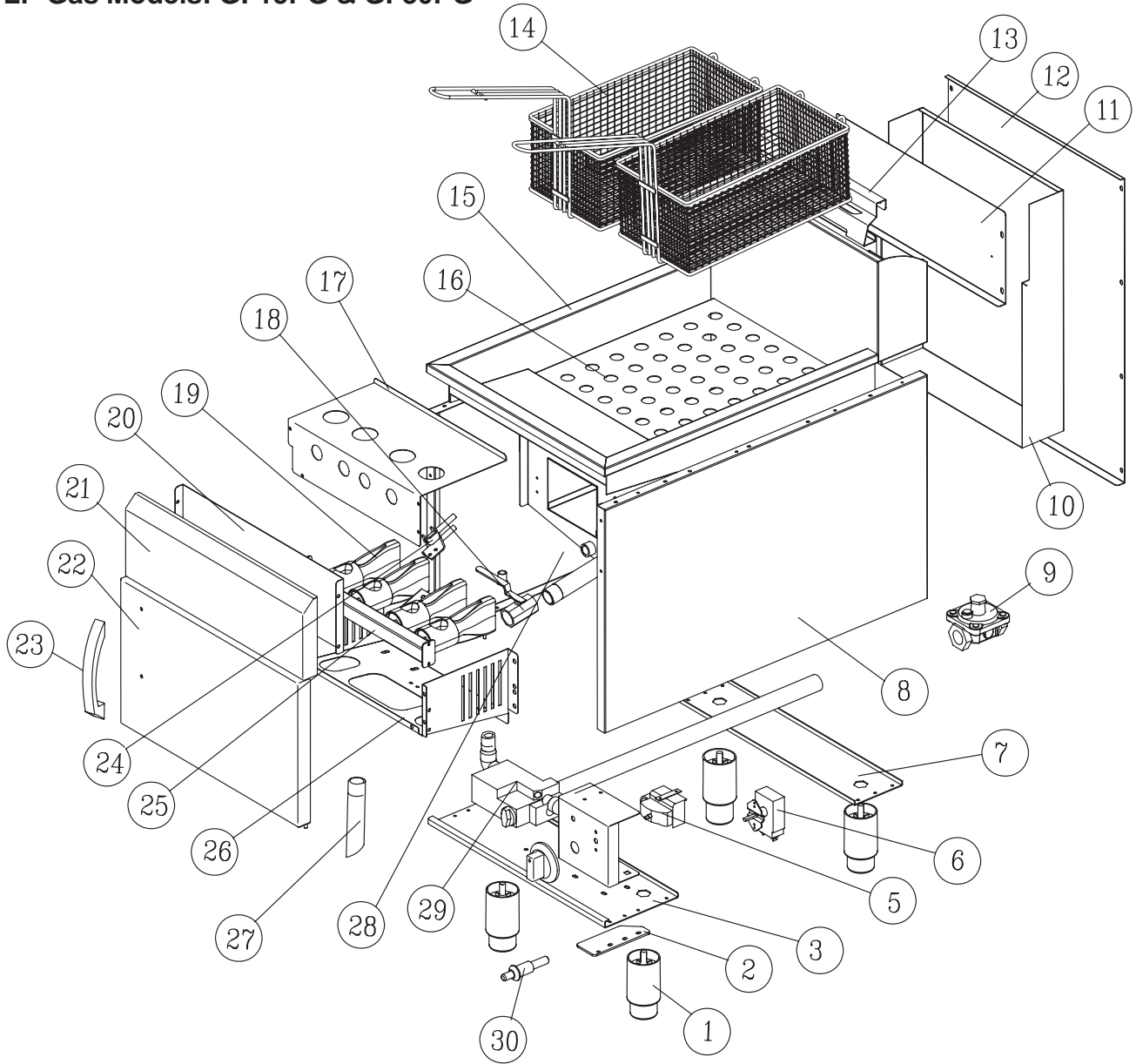
GAS CONVERSION KITS

NG KITS	U01201068636	15" CharBroiler - NG Conversion Kit (1x Burner)	#36 Injector
	U06051470690	24" CharBroiler - NG Conversion Kit (2x Burner)	
	U06051470691	36" CharBroiler - NG Conversion Kit (3x Burner)	
	U06051470692	48" CharBroiler - NG Conversion Kit (4x Burner)	
LPG KITS	U01201068649	15" CharBroiler - LPG Conversion Kit (1x Burner)	#49 Injector
	U06051470687	24" CharBroiler - LPG Conversion Kit (2x Burner)	
	U06051470688	36" CharBroiler - LPG Conversion Kit (3x Burner)	
	U06051470689	48" CharBroiler - LPG Conversion Kit (4x Burner)	

GAS FRYER COMPONENTS

Natural Gas Models: GF15G & GF30G

LP Gas Models: GF15PG & GF30PG



GAS FRYER PARTS LIST

Natural Gas Models: GF15G & GF30G

LP Gas Models: GF15PG & GF30PG

ITEM	PART NUMBER	DESCRIPTION	QTY
1	U01021005165	ADJUSTABLE STAINLESS STEEL FOOT	4
2	N/A	FIXING PLATE FOR DOOR HINGE	1
3	N/A	SUPPORTING PLATE, FRONT FEET	1
5	U03991290101	LCHM LIMIT CONTROL	1
6	U03051220047	THERMOSTAT MILLIVOLT	1
7	N/A	SUPPORTING PLATE, REAR FEET	1
8	N/A	PANEL, RIGHT	1
9	U01221069501	REGULATOR 6"-NG	1
		REGULATOR 10"-LP, 3/4"-PT	
10	N/A	PLATE, REAR FLUE	1
11	N/A	PLATE, FRONT FLUE	1
12	N/A	PANEL, REAR	1
13	U01051026470	BASKET HOOK, GF15G/GF15PG	1
	U01051026221	BASKET HOOK, GF30G/GF30PG	
14	U01021005190	BASKET GF15G/GF15PG	1
		BASKET GF30G/GF30PG	2
15	N/A	OIL TANK ASSEMBLY	1
16	N/A	FILTER PANEL	1
17	N/A	BURNER ISOLATING PLATE, UPPER	1
18	U01201068532	VALVE, OIL DRAIN	1
19	U06051470489	BURNER ASSY.	4
20	N/A	ISOLATING PLATE, FRONT	1
21	N/A	PANEL, FRONT	1
22	N/A	DOOR ASSEMBLY	1
23	U01021005070	DOOR HANDLE	1
24	U01211069001	ODS FLAME PROTECTION - NG	1
	U01211069003	ODS FLAME PROTECTION - LPG	
25	N/A	GAS PIPE ASSEMBLY	1
26	N/A	BURNER ISOLATING PLATE, LOWER	1
27	U01021005195	OIL DRAIN PIPE	1
28	N/A	PANEL, LEFT	1
29	U06051470654	SAFETY CONTROL VALVE ASSEMBLY - NG	1
	U06051470674	SAFETY CONTROL VALVE ASSEMBLY - LPG	
30	U03991290085	PIEZO IGNITION	1
ITEMS BELOW ARE NOT SHOWN IN EXPLODED PARTS VIEW			
31	N/A	IGNITION BAR	1
32	U01201068651	MAIN INJECTOR 51#NG	1
33	U01201068658	MAIN INJECTOR 58#LPG	
34	U03111250027	THERMOCOUPLE ASSY.	1
35	U06051470668	COVER 15 lb.	1
36	U06051470669	COVER 30 lb.	1
37	U01051026757	SPATTER SHIELD 15lb	1
38	U01051026758	SPATTER SHIELD 30lb	1

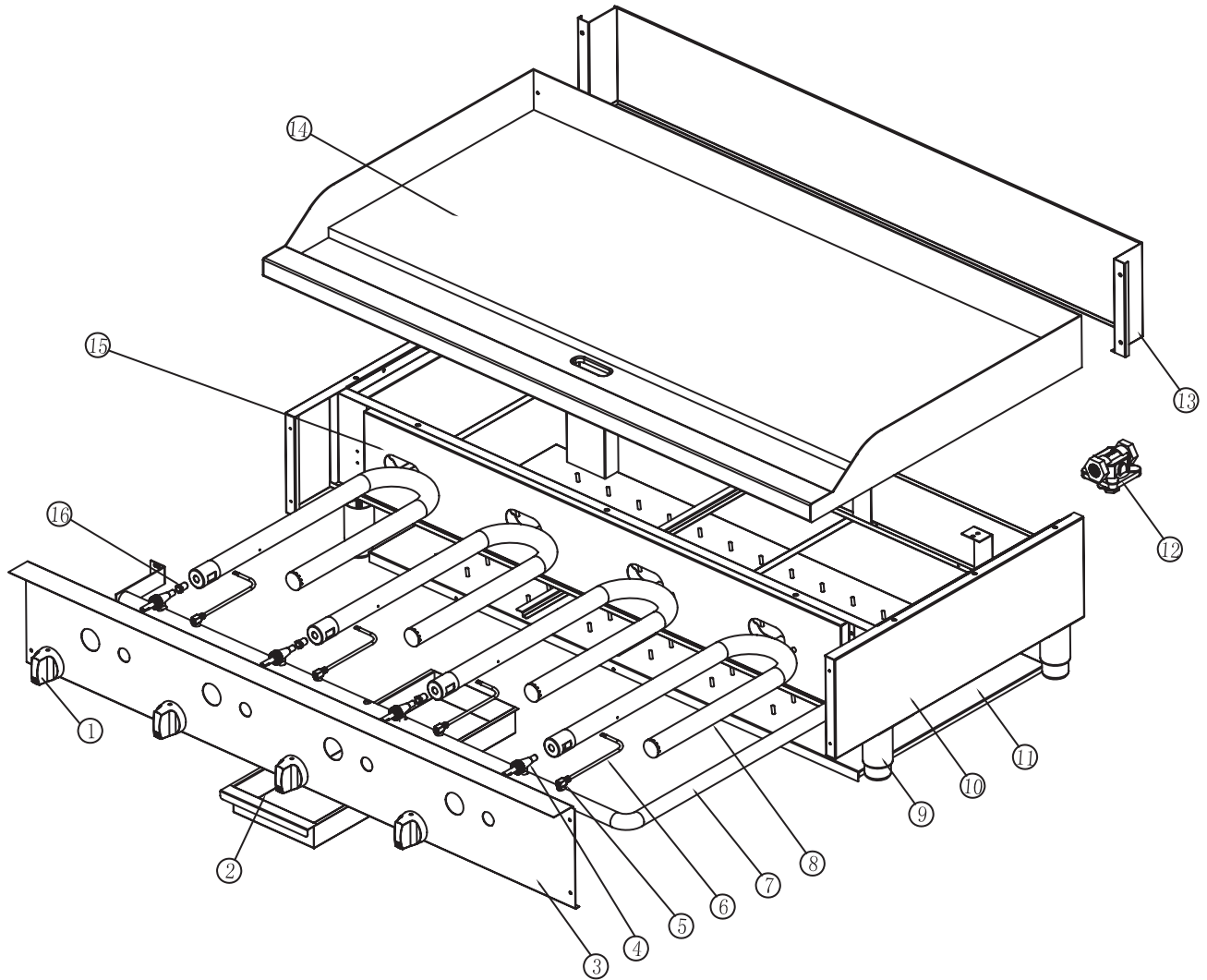
Note: Natural Gas and LP Gas Fryers are not interconvertible.

Fryers are configured either Natural or LP Gas at the factory.

GAS GRIDDLE COMPONENTS

Manually Controlled Models: GG15G, GG24G, GG36G & GG48G

Thermostatically Controlled Models: GG15TG, GG24TG, GG36TG & GG48TG



GAS GRIDDLE PARTS LIST

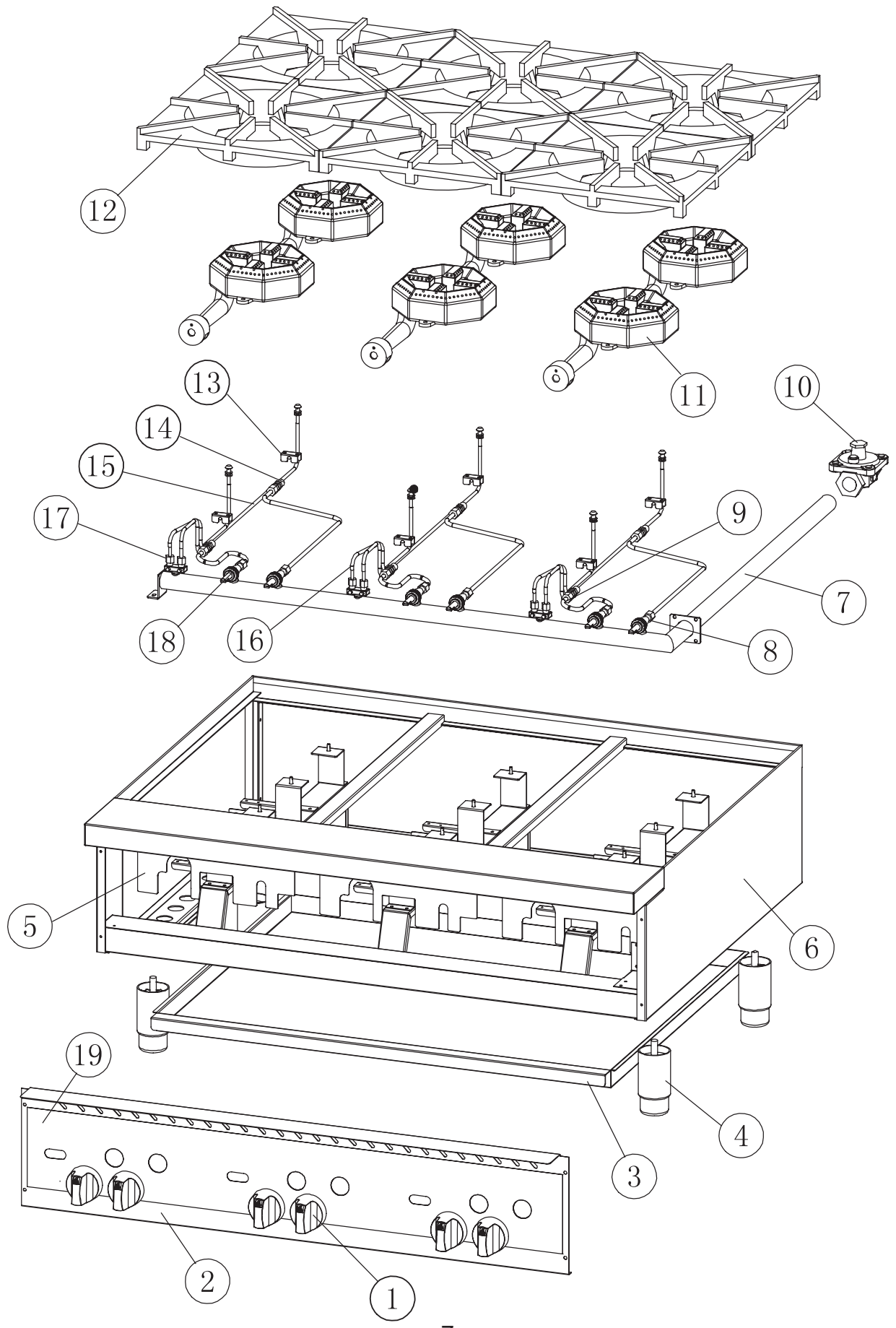
Manually Controlled Models: GG15G, GG24G, GG36G & GG48G
Thermostatically Controlled Models: GG15TG, GG24TG, GG36TG & GG48TG

ITEM	PART NUMBER	DESCRIPTION	QTY
1	U01021005188	CONTROL KNOB	1, 2, 3, 4
2	U01051026175	DRIP TRAY	1
3	N/A	CONTROL PANEL - GG15G	1
	N/A	CONTROL PANEL - GG24G	
	N/A	CONTROL PANEL - GG36G	
	N/A	CONTROL PANEL - GG48G	
4	U01201068502	VALVE, MANUAL CONTROL GAS UNITS	1, 2, 3, 4
5	U01201068509	PILOT VALVE, SINGLE - MANUAL CONTROL GAS UNITS	1, 2, 3, 4
6	U01241070580	PILOT PIPE, MANUAL CONTROL GAS GRIDDLE	1, 2, 3, 4
7	N/A	MANIFOLD ASSEMBLY	1
8	U06051470672	STAINLESS STEEL BURNER ASSY - MANUAL CONTROL	1, 2, 3, 4
	U06051470673	STAINLESS STEEL BURNER ASSY - THERMOSTAT CONTROL	
9	U01021005165	ADJUSTABLE STAINLESS STEEL FOOT	4
10	N/A	MAIN ENCLOSURE, LOWER	1
11	N/A	ISOLATING PLATE, LOWER	1
12	U01221069501	REGULATOR, 6" NAT or 10" LP, 3/4"-PT	1
13	U01151066096	REAR PANEL GG15G/GG15PG	1
	U01151066090	REAR PANEL GG24G/GG24PG	
	U01151066092	REAR PANEL GG36G/GG36PG	
14	N/A	GRIDDLE PLATE ASSEMBLY	1
15	N/A	ISOLATING PLATE, FRONT	1
16	U01201068641	MAIN INJECTOR #41 NG	1, 2, 3, 4
	U01201068651	MAIN INJECTOR #51 LPG	
ITEMS BELOW ARE NOT SHOWN IN EXPLODED PARTS VIEW			
17	U03991290085	PIEZO IGNITION - THERMOSTAT CONTROL	1
18	U01201068510	THERMOSTATIC VALVE - THERMOSTAT CONTROL	1
19	N/A	CONNECTOR 3/8-27UNS	-
20	N/A	IGNITION BAR	1
21	U06051470665	PILOT INJECTOR 0.25MM LPG THERMOSTAT CONTROL	1
22	U06051470664	PILOT INJECTOR 0.45MM NG THERMOSTAT CONTROL	1

GAS CONVERSION KITS

Manual Control	NG KITS	U01201068641	15" Griddle, NG Conversion Kit (1x Burner)	#41 Burner Injector
		U06051470678	24" Griddle, NG Conversion Kit (2x Burner)	
		U06051470679	36" Griddle, NG Conversion Kit (3x Burner)	
		U06051470680	48" Griddle, NG Conversion Kit (4x Burner)	
LPG KITS	U01201068651	15" Griddle, LPG Conversion Kit (1x Burner)	#51 Burner Injector	
	U06051470675	24" Griddle, LPG Conversion Kit (2x Burner)		
	U06051470676	36" Griddle, LPG Conversion Kit (3x Burner)		
	U06051470677	48" Griddle, LPG Conversion Kit (4x Burner)		
Thermostat Control	NG KITS	U06051470664	15" Griddle, NG Conversion Kit (1x Burner)	0.45mm Pilot & #41 Main Injector
		U06051470684	24" Griddle, NG Conversion Kit (2x Burner)	
		U06051470685	36" Griddle, NG Conversion Kit (3x Burner)	
		U06051470686	48" Griddle, NG Conversion Kit (4x Burner)	
	LPG KITS	U06051470665	15" Griddle, LPG Conversion Kit (1x Burner)	0.25mm Pilot & #51 Main Injector
		U06051470681	24" Griddle, LPG Conversion Kit (2x Burner)	
		U06051470682	36" Griddle, LPG Conversion Kit (3x Burner)	
		U06051470683	48" Griddle, LPG Conversion Kit (4x Burner)	

HOT PLATE COMPONENTS: Models GHP12G, GHP24G & GHP36G



HOT PLATE PARTS LIST: Models GHP12G, GHP24G & GHP36G

ITEM	PART NUMBER	DESCRIPTION	QTY
1	U01021005188	CONTROL KNOB	2, 4, 6
2	N/A	CONTROL PANEL GHP12G	1
	N/A	CONTROL PANEL GHP24G	
	N/A	CONTROL PANEL GHP36G	
3	N/A	DRIP TRAY GHP12G	1
	N/A	DRIP TRAY GHP24G	
	N/A	DRIP TRAY GHP36G	
4	U01021005165	ADJUSTABLE STAINLESS STEEL FEET	4
5	N/A	ISOLATING PLATE FRONT	1, 2, 3
6	N/A	MAIN ENCLOSURE	1
7	N/A	MANIFOLD ASSEMBLY	1
8	N/A	MAIN GAS PIPE, REAR	1, 2, 3
9	N/A	MAIN GAS PIPE, FRONT	1, 2, 3
10	U01221069501	REGULATOR 6"-NAT or10"-LP ,3/4"-PT	1
11	N/A	BURNER	2, 4, 6
12	N/A	TRIVET	2, 4, 6
13	N/A	FIXTURE BLOCK, PILOT PIPE	2, 4, 6
14	U01201068646	MAIN INJECTOR #46 NG	1, 2, 3
	U01201068654	MAIN INJECTOR #54 LPG	
15	U06051470670	BACK PIPE, PILOT ASSEMBLY	1, 2, 3
16	U06051470671	FRONT PIPE, PILOT ASSEMBLY	1, 2, 3
17	U01201068508	PILOT VALVE	2, 4, 6
18	U01201068502	VALVE FOR MANUAL CONTROL GAS UNITS	1, 2, 3
19	N/A	DECAL	1
ITEMS BELOW ARE NOT SHOWN IN EXPLODED PARTS VIEW			
NA	N/A	CONNECTOR	-
NA	N/A	IGNITION BAR	1

GAS CONVERSION KITS

NG Kits	U06051470695	15" Hot Plate, NG Conversion Kit (2x Injector)	#46 Injector U01201068646
	U06051470698	24" Hot Plate, NG Conversion Kit (4x Injector)	
	U06051470696	36" Hot Plate, NG Conversion Kit (6x Injector)	
LPG Kits	U06051470693	15" Hot Plate, LPG Conversion Kit (2x Injector)	#54 Injector U01201068654
	U06051470697	24" Hot Plate, LPG Conversion Kit (4x Injector)	
	U06051470694	36" Hot Plate, LPG Conversion Kit (6x Injector)	

NOTES:

GFE GCB15G, GCB24G, GCB36G & GCB48G/GCBRK15G, GCBRK24G, GCBRK36G & GCBRK48G.
GF15G & GF30G/GF15PG & GF30PG. GG15G, GG24G, GG36G & GG48G/G15TG, GG24TG, GG36TG & GG48TG
GHP12G, GHP24G, GHP36G Rev C ECN 1554 29Jun2011