

Parts Catalog



PF32E

ELECTRIC FRYERS

MODELS:

PF10E, PF16E & PF32E

08-25-2011

IMPORTANT!

TO EXPEDITE SHIPMENT OF PARTS, ALWAYS SPECIFY MODEL, REV,
PART NUMBER, AND SERIAL NUMBER OF SLICER.

GLOBE FOOD EQUIPMENT COMPANY

2215 East River Road
Dayton, Ohio 45439

Parts Department

Toll Free 1-800-745-6238 · Fax (937) 290-0585

E-Mail: globeinfo@globeslicers.com

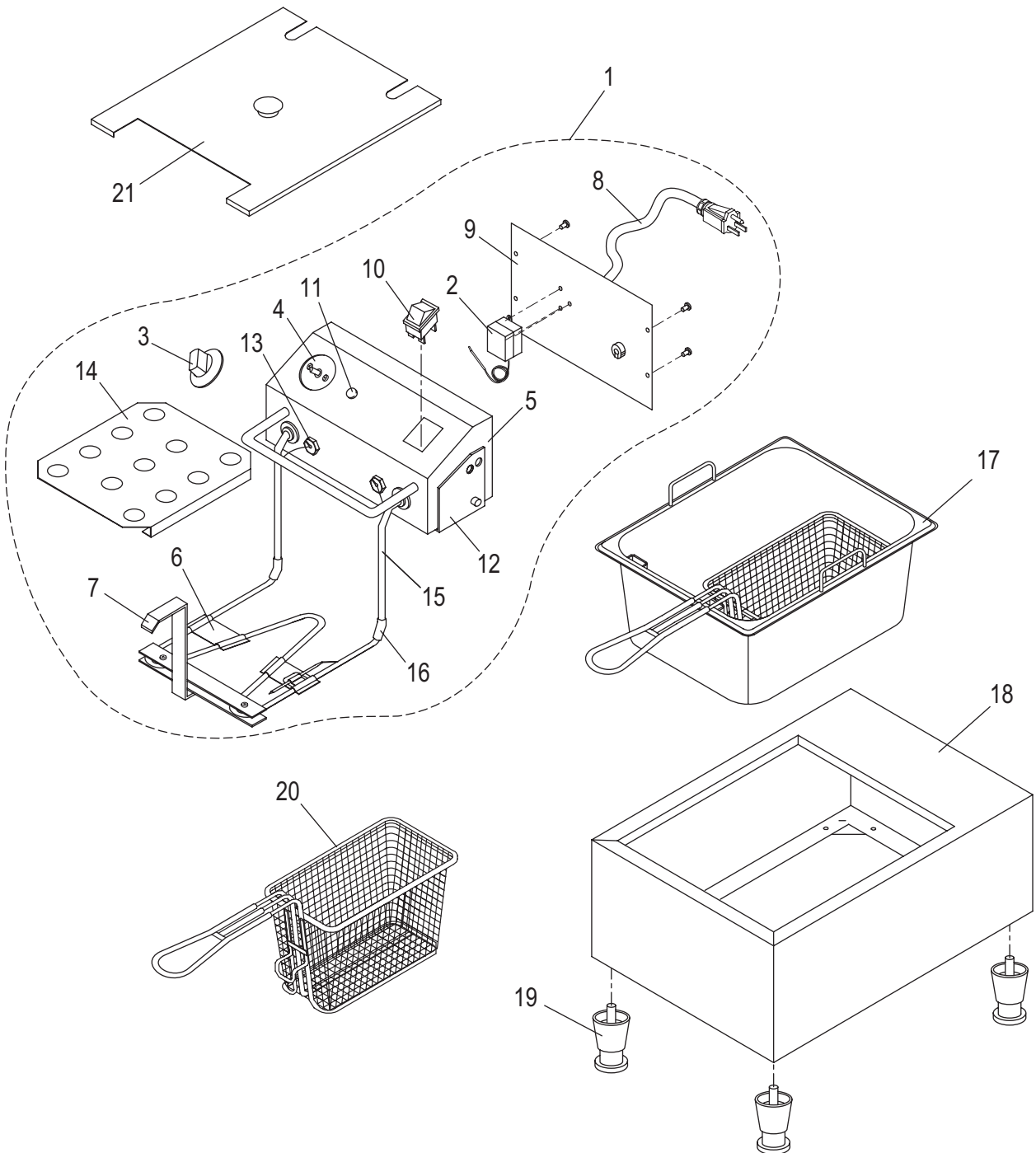
Website: www.globeslicers.com

Not for resale

TABLE OF CONTENTS

	<u>PAGE</u>
<u>PF10E FRYER</u>	<u>1</u>
<u>PF16E FRYER</u>	<u>2</u>
<u>PF32E FRYER</u>	<u>3 - 4</u>
<u>WIRING DIAGRAM</u>	<u>5</u>

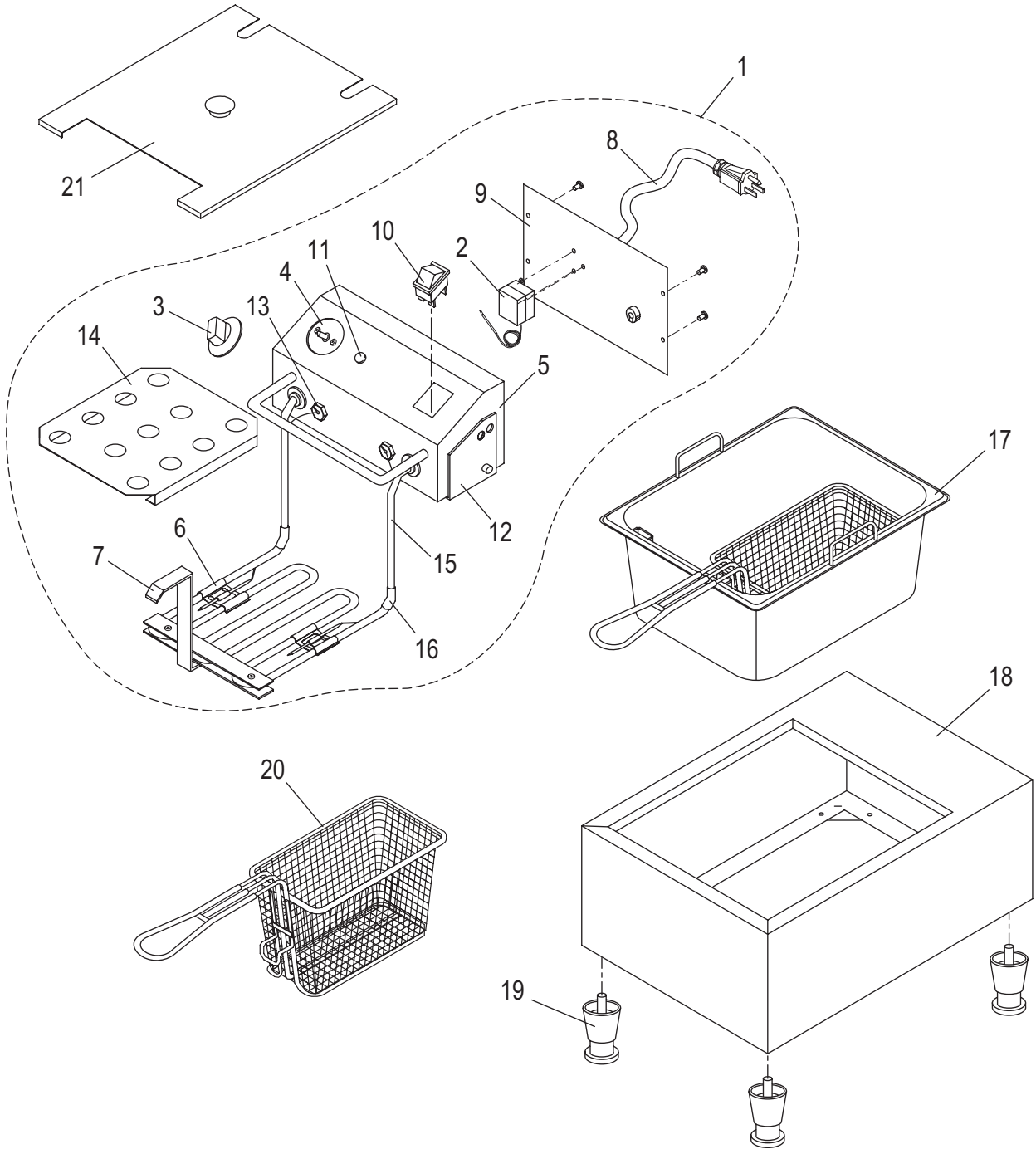
PF10E COMPONENTS



Item	Description	Part No.	Qty	Item	Description	Part No.	Qty
1	Control Box Assembly	U06051470590	1	12	Control Assy Support Brkt	-	2
		*U06051471098		13	Stuffing Nut	U01021005017	2
2	Thermal Cut Out	U03051220004	1	14	Element Cover	U01051025555	1
3	Thermostat Knob	U02101155013	1	15	Heating Element	U03061225044	1
4	Thermostat	U03051220008	1	16	Tube Bend Clamp	U01051025128	2
5	Control Enclosure	-	1	17	Pan	U01121063013	2
6	Tube Clamp	U01051025402	2			*U06051471080	
7	Element Hook	U06051470011	1	18	Fryer Cabinet	-	1
8	Cord & Plug (120V)	U03021205012	1	19	Foot	U01021005002	4
9	Back Cover Plate	-	1	20	Basket	BASKET10	2
10	On/Off Switch	U03041215027	1			*SMBASKET10	
11	Indicator Light (120V)	U03091240005	1	21	Cover -Optional extra	FRYCOVER10	1

*Used after serial number PF10E0001497-1645.

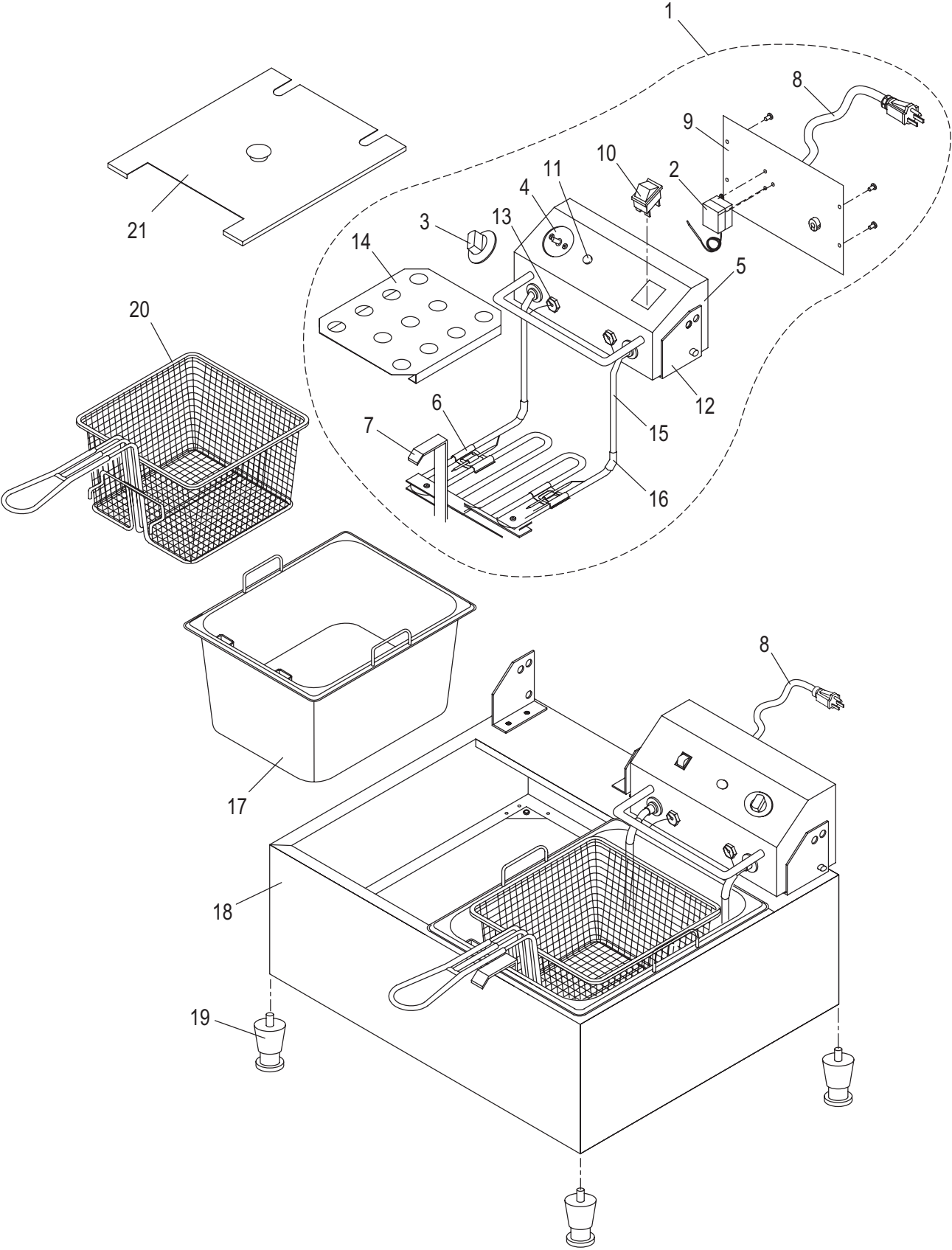
PF16E COMPONENTS



Item	Description	Part No.	Qty	Item	Description	Part No.	Qty
1	Control Box Assembly	U06051470593	1	13	Stuffing Nut	U01021005017	2
		*U06051471101		14	Element Cover	U01051025555	1
2	Thermal Cut Out	U03051220004	1	15	Heating Element	U03061225047	1
3	Thermostat Knob	U02101155013	1	16	Tube Bend Clamp	U01051025128	2
4	Thermostat	U03051220008	1	17	Pan	U01121063016	1
5	Control Enclosure	-	1			*U06051471081	
6	Tube Clamp	U01051025117	2	18	Fryer Cabinet	-	1
7	Element Hook	U06051470010	1	19	Foot	U01021005002	4
8	Cord & Plug (240V)	U03021205013	1	20	Basket Assembly	BASKETTWIN1632	2
9	Back Cover Plate	-	1			*TMBASKET1632	
10	On/Off Switch	U03041215027	1			BASKETLARGE1632	1
11	Indicator Light (240V)	U03091240006	1			*LGBASKET1632	
12	Control Assy Support Brkt	-	2	21	Cover -Optional extra	FRYCOVER16	1

*Used after serial number PF16E0001112-1360.

PF32E COMPONENTS



PF32E PARTS LIST

Item	Description	Part No.	Qty
1	Control Box Assembly, Left	U06051470592	1
		*U06051471100	
	Control Box Assembly, Right	U06051470593	1
		*U06051471101	
2	Thermal Cut Out	U03051220004	2
3	Thermostat Knob	U02101155013	2
4	Thermostat	U03051220008	2
5	Control Enclosure	-	2
6	Tube Clamp	U01051025117	4
7	Element Hook	U06051470010	2
8	Cord & Plug (240V)	U03021205013	2
9	Back Cover Plate	-	2
10	On/Off Switch	U03041215027	2
11	Indicator Light (240V)	U03091240006	2
12	Control Assy Support Bracket	-	4
13	Stuffing Nut	U01021005017	4
14	Element Cover	U01051025555	2
15	Heating Element	U03061225047	2
16	Tube Bend Clamp	U01051025128	4
17	Pan	U01121063016	2
		*U06051471081	
18	Fryer Cabinet	-	1
19	Foot	U01021005002	4
20	Basket	BASKETLARGE1632	2
		LGBASKET1632	
21	Cover -Optional extra	FRYCOVER1032	2

*Used after serial number PF16E0001362-1495.

WIRING DIAGRAM, PF10E/PF16E/PF32E FRYERS

