

# Parts Catalog



**G12 Slicer**

## SLICING MACHINE

MODEL: G12

01-07-16N

Serial Number 509624 and Up

IMPORTANT!

TO EXPEDITE SHIPMENT OF PARTS, ALWAYS SPECIFY MODEL, REV,  
PART NUMBER, AND SERIAL NUMBER OF SLICER.

### GLOBE FOOD EQUIPMENT COMPANY

2215 East River Road

Dayton, Ohio 45439

#### Parts Department

Toll Free 1-800-745-6238 • Fax (937) 290-0585

E-Mail: [info@globefoodequip.com](mailto:info@globefoodequip.com)

Website: [www.globefoodequip.com](http://www.globefoodequip.com)

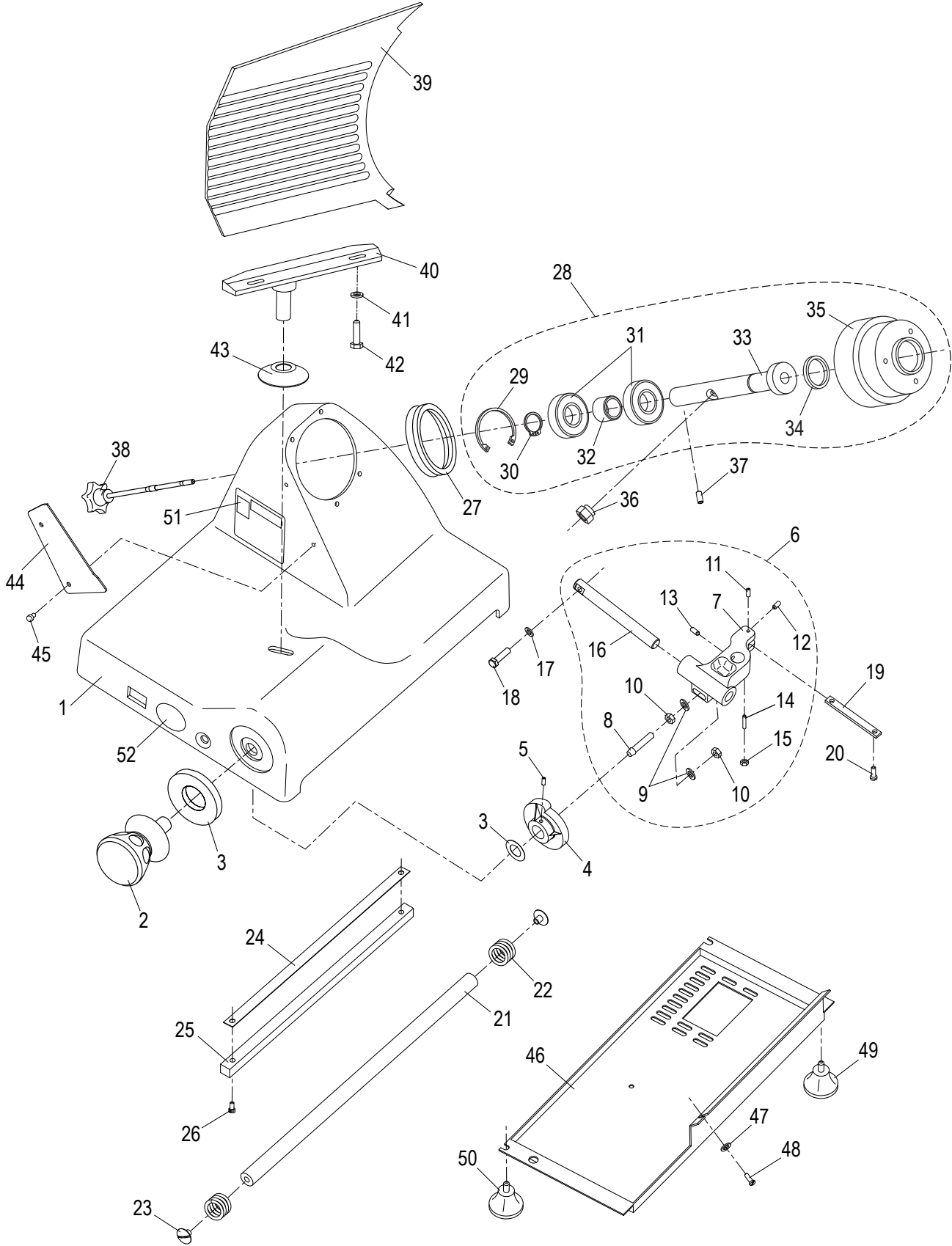
Not for resale



# TABLE OF CONTENTS

Serial Number 509624 and Up	Page
Base Components	1 - 2
Chute Components	3
Knife & Sharpener Components	4
Electrical Components	5
Wiring Diagram	6

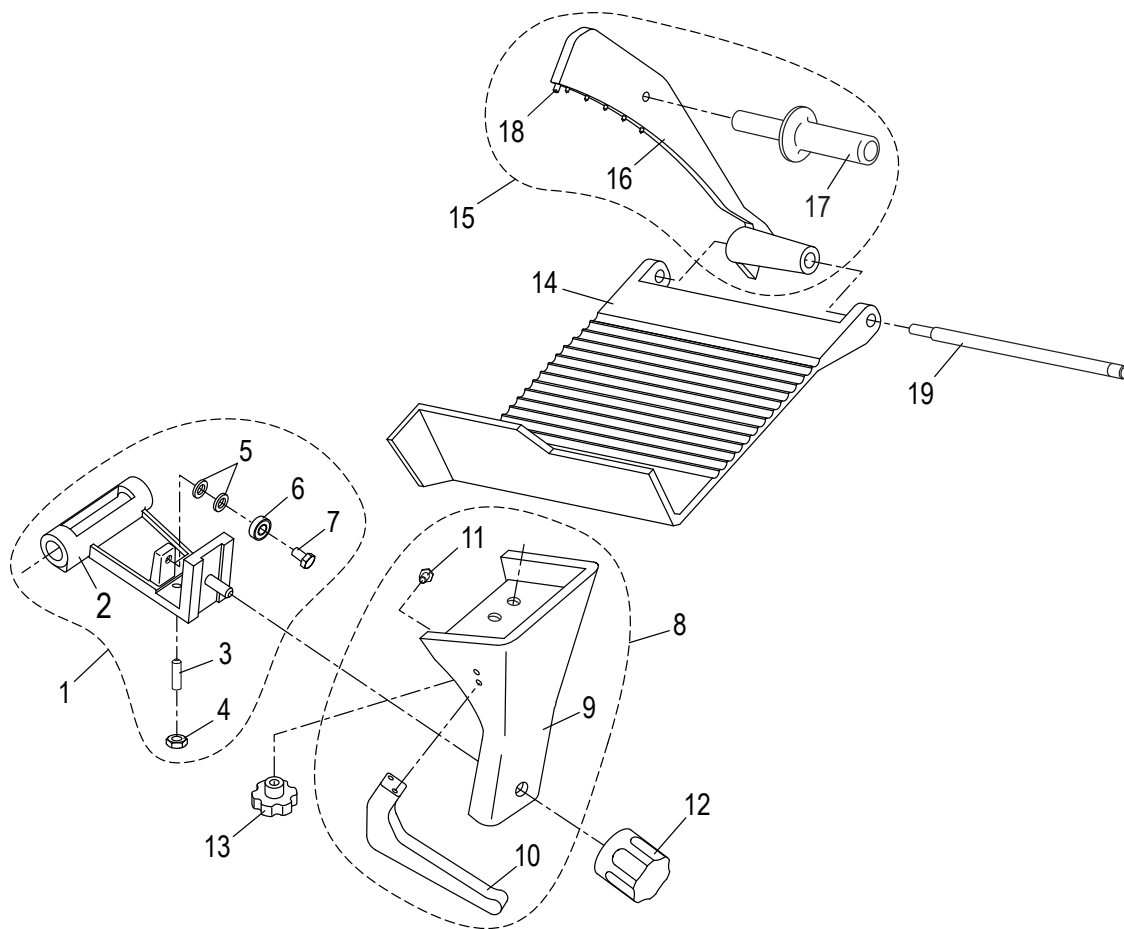
# G12 BASE COMPONENTS



# G12 BASE PARTS LIST

Item	Description	Qty	Part Number	Hardware
1	Slicer Base	1	-	
2	Table Adjustment Knob	1	M00209	
3	Wave Washer	1	M003	
4	Table Adjustment Cam	1	M004	
5	Table Adjustment Cam Set Screw	2	H00181	
6	Table Slide Assembly (Items 8-17)	1	M305	
7	Table Slide	1	-	
8	Stud, Cam Actuator	1	M013	
9	Flat Washer	2	H00191	
10	Hex Nut, Table Slide Bottom	2	H00192	
11	Set Screw, Table Slide Top	1	H00182	
12	Set Screw, Table Slide End	1	H00185	
13	Set Screw, Table Slide Side	2	H00186	
14	Set Screw, Table Slide Bottom	1	H00188	
15	Hex Nut , Table Slide Bottom	1	H00028	
16	Table Slide Rod	1	MR36	
17	Slide Rod Flat Washer	2	H00191	
18	Slide Rod Screw, Hex Head	2	H00116	
19	Table Slide Plate	1	M016	
20	Slide Plate Screw	2	H00061	
21	Carriage Slide Rod	1	M059	
22	Carriage Spring	2	M061	
23	Slide Rod Screw	2	M060	
24	Wear Strip, Slide Bar	1	M063	
25	Slide Bar, Square	1	M062	
26	Slide Bar Screw	2	H00056	
27	Motor Hub Seal	1	MGI77/5	
28	Knife Hub Assembly (Items 30-36)	1	M319	
29	Retaining Ring, Internal	1	H00193	
30	Retaining Ring, External	1	H00195	
31	Bearing	2	M020	
32	Spacer, Knife Pulley	1	M021	
33	Shaft, Knife Hub	1	M00241	
34	Oil Seal, Hub	1	MR12/7	
35	Pulley, Knife Hub	1	MCR12/2	
36	Microswitch Mounting Bolt	1	MCR61	
37	Knife Shaft Set Screw	1	H00184	
38	Knife Cover Release Knob	1	M00225	
39	Table	1	M00232	
40	Table Support	1	M00227	
41	Table Support Washer	2	H00191	
42	Table Support Screw	2	H00196	
43	Hole Cover, Base	1	M00228	
44	Knife Wiper	1	M097	
45	Thumb Screw, Knife Wiper	2	MCC23	
46	Bottom Cover	1	M113	
47	Cover Washer	1	H00063	
48	Cover Mounting Screw	1	H00061	
49	Back Foot	2	M115	
50	Front Foot	2	M00229	
51	Warning label	1	M91022	
52	Label, Globe Logo	1	M91021	

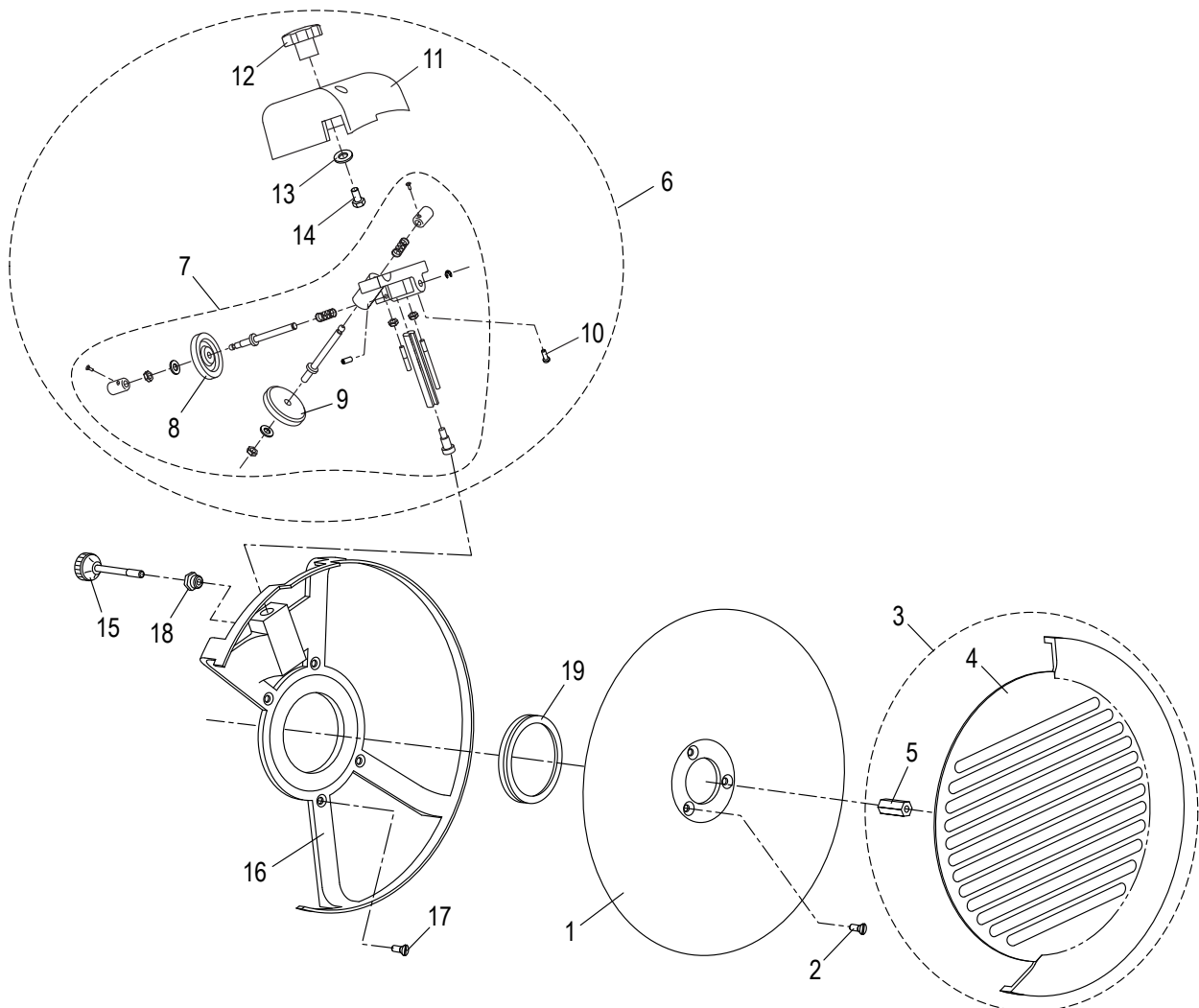
# G12 CHUTE COMPONENTS



Item	Description	Qty	Part Number	Hardware
1	Chute Slide Assy (Item 2 - 7)	1	M352	
2	Chute Slide	1	-	
3	Brass Stud	1	M053	
4	Stud Nut	1	H00192	
5	Bearing Washer	2	H00191	
6	Bearing	1	M056	
7	Bearing Screw	1	H00117	
8	Chute Support Assembly (Item 9 - 12)	1	M00282	
9	Chute Support	1	M00363	
10	Chute Support Handle	1	M067	
11	Screw, Chute Support Handle	2	H00156	
12	Chute Support Knob	1	M00268	
13	Chute Release Knob	1	M00254	
14	Chute	1	M00386 *M01068	
15	End Weight Assembly (Item 17 - 19)	1	M00388 *M01069	
16	End Weight	1	-	
17	End Weight Handle	1	M00261	
18	End Weight Bumper	1	MC39 *M01070	
19	End Weight Rod	1	M00283 *M01071	

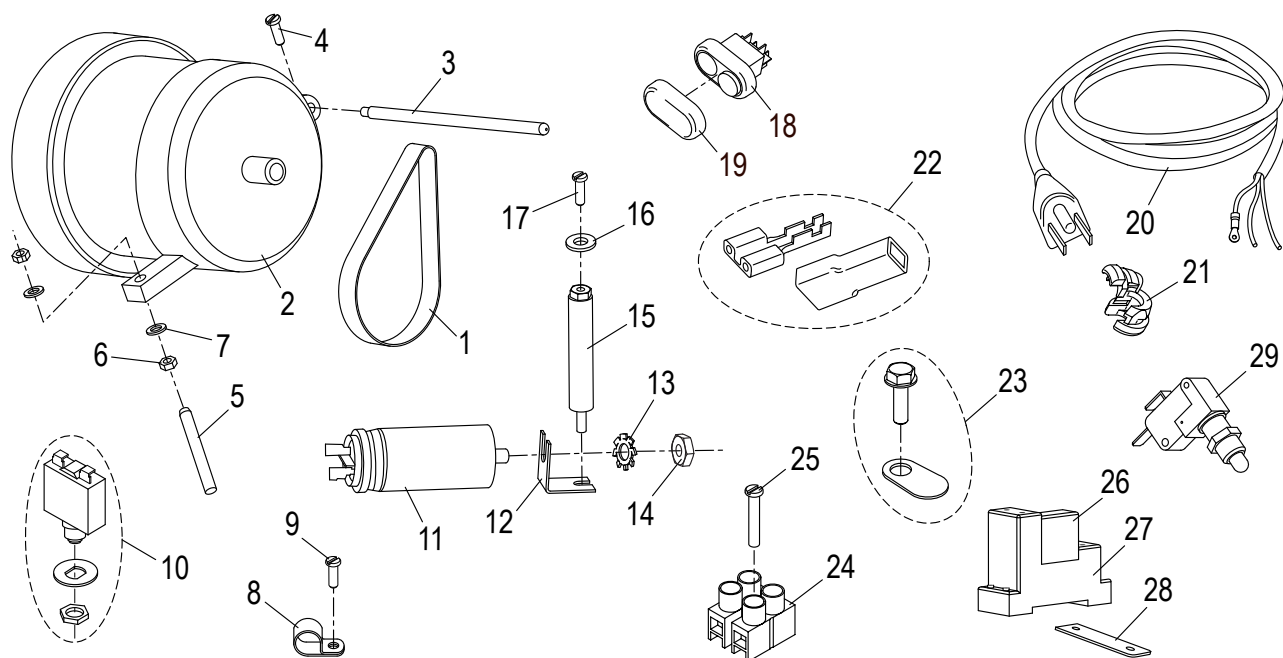
\* Use after Serial Number 518220

# G12 KNIFE AND SHARPENER COMPONENTS



Item	Description	Qty	Part Number	Hardware
1	Knife	1	M047	
2	Knife Mounting Screw	3	H00201	56-A
3	Knife Cover Assembly	1	M349	
4	Knife Cover	1	-	
5	Knife Cover Insert	1	M049A	
6	Sharpener Assembly with Cover	1	M377	
7	Knife Sharpener Assembly	1	MC017	
8	Deburring Stone	1	M092	
9	Sharpening Stone	1	MCC17	
10	Sharpener Cover Screw	2	H00187	M5 x 0.8 x 15mm
11	Sharpener Cover	1	M074	
12	Sharpener Cover Knob	1	M075	
13	Cover Knob Washer	1	M035	
14	Cover Knob Screw	1	H00197	M6 x 16 mm - Zinc
15	Sharpener Release Knob	1	M096	
16	Knife Rim Guard	1	M044	
17	Rim Guard Mounting Screw	4	H00435	
18	Knife Rim Guard Insert	1	M045	
19	Knife Seal, V Ring - VA 80	1	M00405	

# G12 ELECTRICAL COMPONENTS



Item	Description	Qty	Part Number	Hardware
1	Drive Belt	1	M024	
2	Knife Motor	1	M030	
3	Post, Motor Pivot	1	M031	
4	Screw	1	H00189	
5	Set Screw	1	M033	
6	Hex Nut	2	M034	
7	Flat Washer	2	M035	
8	Cable Clamp	1	M037	
9	Screw, Clable Clamp	1	H00061	
10	Switch, Motor Reset	1	M038	
11	Capacitor, 16 $\mu$ f	1	M039	
12	Bracket, Capacitor Mounting	1	-	
13	Lock Washer	1	H00335	
14	Hex Nut	1	H00192	
15	Standoff, Cover Spacer	1	M00358	
16	Cover Washer	1	M035	
17	Cover Mounting Screw	1	H00061	
18	Power Switch	1	MCR69	
19	Cover, Power Switch	1	MCR59	
20	Power Cord & Plug	1	M110	
21	Strain Relief	1	M111	
22	Terminal & Insulator Set	15	M00233	
23	Ground Screw/Marking Tab Set	1	M00334	
24	Terminal Block	1	MB80/2	
25	Terminal Block Mounting Screw	1	H00203	
26	Relay	1	MCR75	
27	Relay Socket	1	MCR76	
28	Relay Mounting Plate	1	M00360	
29	Hub Assembly Microswitch	1	M026	



# WIRING DIAGRAM - 115V, 50/60/Hz, 1 PH

