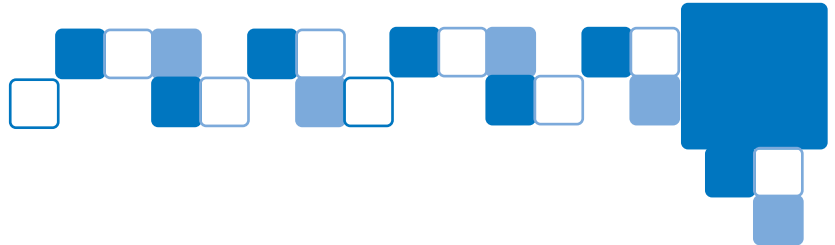


JOB:

ITEM #:

QUANTITY:



Modular Equipment Stand

Specifically Designed To Accommodate Counter-Top Cooking & Warming Equipment.

This all purpose stand is perfect for counter-top cooking as well as holding or serving equipment. Removable heavy duty 12 gauge aluminum top and optional undershelf lift off for easy cleaning and are fully supported by the all welded, heavy duty frame. Marine edge provides easy cleaning and equipment stability. Adjustable posts allow for quick stabilization and easy leveling on stationary units while 5" stem type casters provide smooth transportation for mobile units.

Guaranteed

Like all of our products, the equipment stand is built to last... We Guarantee It! Each unit carries a **Lifetime Guarantee** against rust and corrosion as well as a **Five-Year Guarantee** against material defects and workmanship.



Modular Equipment Stand Shown w/ Optional Undershelf and Casters



NSF Certified
0503

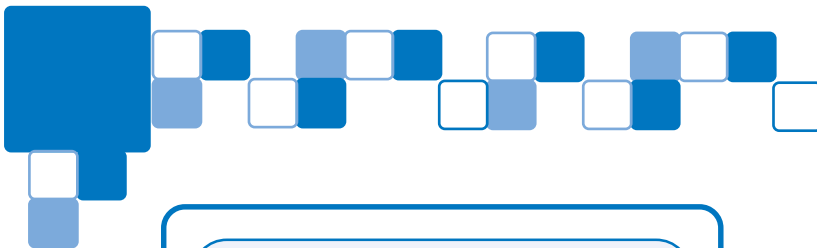
MODULAR EQUIPMENT STAND



Aluminum Food Handling, Storage, & Transport Solutions

New Age Industrial Corp., Inc. • 1000 E Hwy-36 • PO Box 520 • Norton, Kansas 67654

Phone#: 800.255.0104 • 785.877.5121 • Fax#: 877.877.7687 • 785.877.2616 • www.newageindustrial.com



JOB:

ITEM #:

QUANTITY:

SPECIFICATIONS

TOP: 12 gauge aluminum sheet, with 4 one inch lips down and marine edge around perimeter of top, supported by 5 (30" deep) or 4 (24" deep) 1-½" x 1-½" x 13 gauge wall reinforcing bars. Aluminum collars are permanently welded in place to accommodate the uprights with a stainless steel set screw to lock the upright in place.

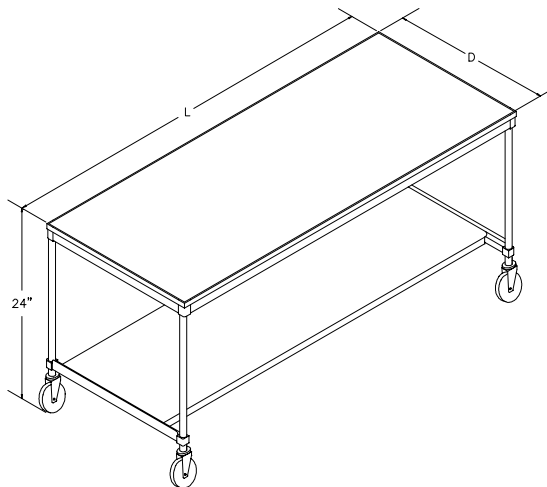
UPRIGHTS: Consists of extruded aluminum OD. pipe of 1-5/16" and a wall thickness of .150". with plastic end caps on each end.

OPTIONAL CASTERS: Four 5" stem type heavy duty swivel casters (#C440) with non-marking wheel.

OPTIONAL UNDERSHELF: 12 gauge aluminum sheet.

WEIGHT CAPACITY: 1000#

All units shipped knocked down.



Model No.	Size D-H-L	Ship Wt.
-----------	------------	----------

STATIONARY UNITS

◦ 12436GS	24" x 24" x 36"	27.5#
◦ 12448GS	24" x 24" x 48"	32#
◦ 12460GS	24" x 24" x 60"	37#
◦ 12472GS	24" x 24" x 72"	42#
◦ 13036GS	30" x 24" x 36"	31#
◦ 13048GS	30" x 24" x 48"	37#
◦ 13060GS	30" x 24" x 60"	42#
◦ 13072GS	30" x 24" x 72"	48#

STATIONARY UNIT W/ UNDERSHELF

◦ 12436GSU	24" x 24" x 36"	34#
◦ 12448GSU	24" x 24" x 48"	41#
◦ 12460GSU	24" x 24" x 60"	47#
◦ 12472GSU	24" x 24" x 72"	55#
◦ 13036GSU	30" x 24" x 36"	39#
◦ 13048GSU	30" x 24" x 48"	47#
◦ 13060GSU	30" x 24" x 60"	55#
◦ 13072GSU	30" x 24" x 72"	63#

MOBILE UNIT

◦ 12436GSC	24" x 24" x 36"	38#
◦ 12448GSC	24" x 24" x 48"	42#
◦ 12460GSC	24" x 24" x 60"	47#
◦ 12472GSC	24" x 24" x 72"	52#
◦ 13036GSC	30" x 24" x 36"	41#
◦ 13048GSC	30" x 24" x 48"	47#
◦ 13060GSC	30" x 24" x 60"	52#
◦ 13072GSC	30" x 24" x 72"	59#

Four 5" Stem Casters (#C440)

MOBILE UNIT WITH UNDERSHELF

◦ 12436GSCU	24" x 24" x 36"	44#
◦ 12448GSCU	24" x 24" x 48"	51#
◦ 12460GSCU	24" x 24" x 60"	57#
◦ 12472GSCU	24" x 24" x 72"	65#
◦ 13036GSCU	30" x 24" x 36"	49#
◦ 13048GSCU	30" x 24" x 48"	57#
◦ 13060GSCU	30" x 24" x 60"	65#
◦ 13072GSCU	30" x 24" x 72"	74#

Four 5" Stem Casters (#C440)

◦ **UPS-able (others ship common carrier)**

Aluminum Food Handling, Storage, & Transport Solutions

PHONE#: 800.255.0104 • 785.877.5121 • FAX#: 877.877.7687 • 785.877.2616