

Parts Catalog



GF30G

Gas Cooking Equipment Fryer

Model: GF30G

03/25/2019 Rev A

IMPORTANT!

TO EXPEDITE SHIPMENT OF PARTS, ALWAYS SPECIFY MODEL, REV,
PART NUMBER, AND SERIAL NUMBER OF UNIT.

GLOBE FOOD EQUIPMENT COMPANY

2215 East River Road
Dayton, Ohio 45439

Parts Department

Toll Free 1-800-745-6238 · Fax (937) 290-0585

E-Mail: info@globefoodequip.com

Website: www.globefoodequip.com

Not for resale

Table of Contents

Description

Page

GF30G Natural Gas Fryer and LP

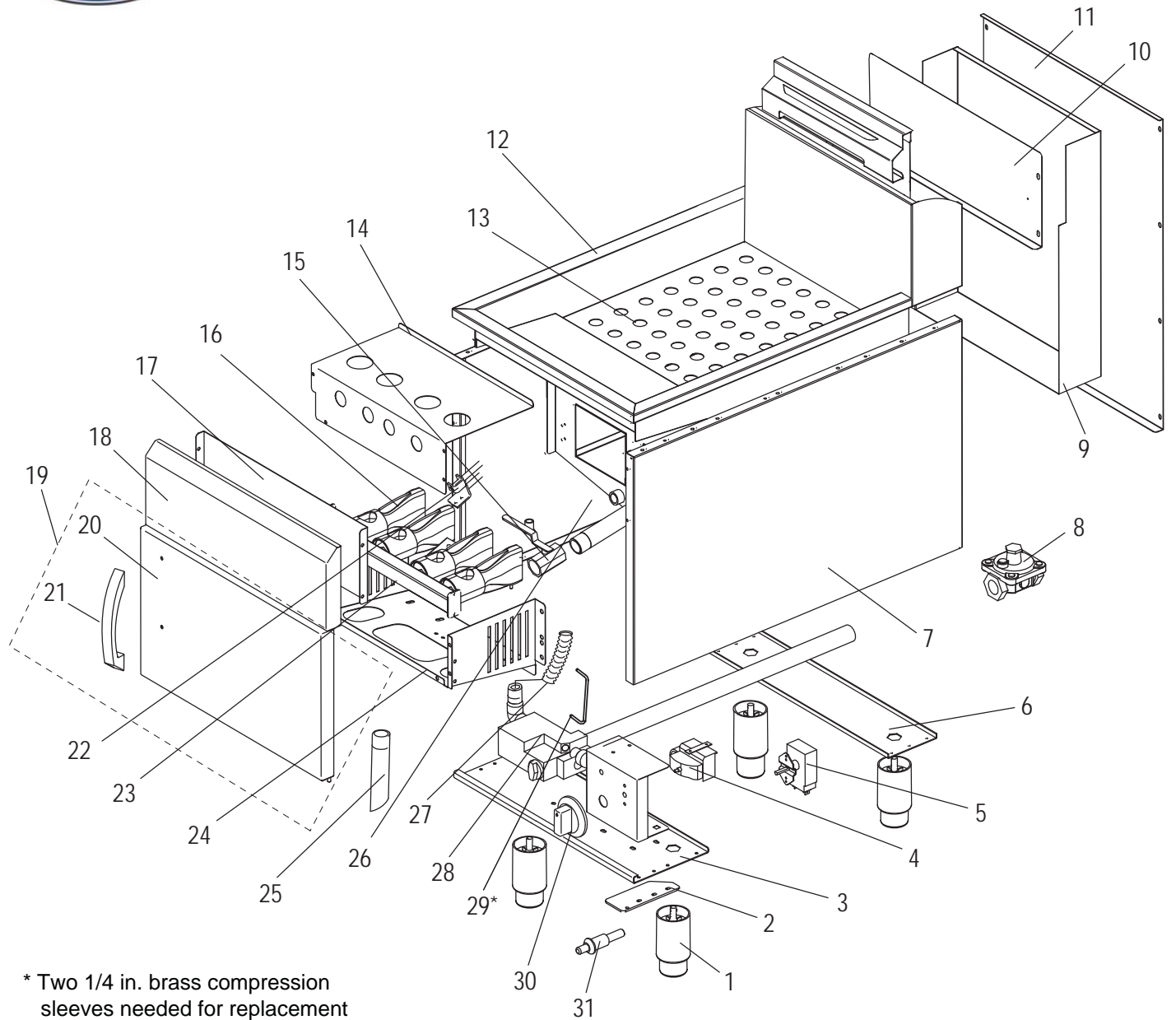
4

GF30G Gas Orifice Elevation

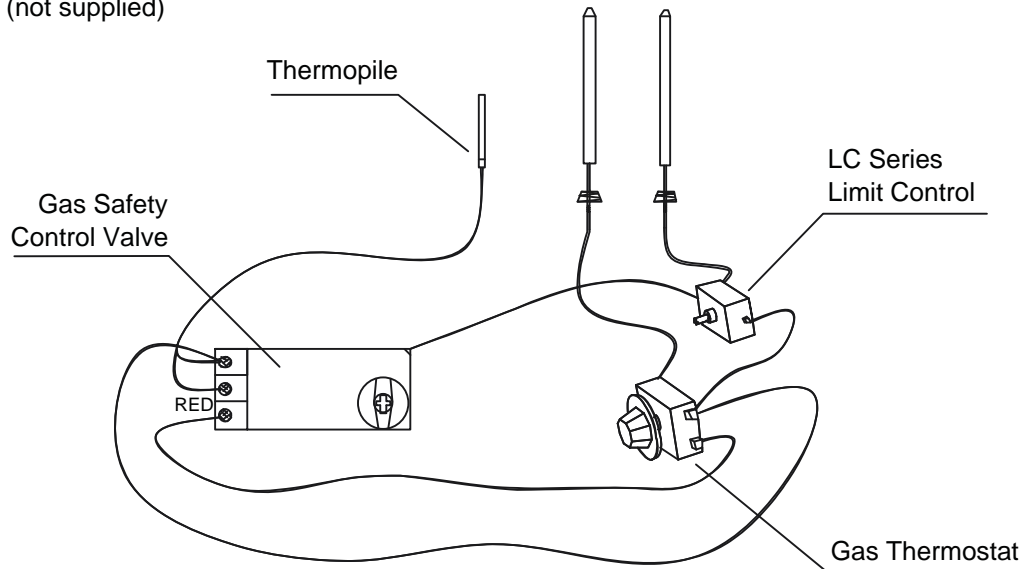
6



GF30G Natural Gas Fryer



* Two 1/4 in. brass compression sleeves needed for replacement of the pilot tube (not supplied)





GF30G Natural Gas Fryer

Item	Part Number	Description	Qty	Serial Number
1	U01021005165	Foot, Adjustable - SS	4	
2		Fixing Plate for Door Hinge	1	
3		Supporting Plate, Front Feet	1	
4	U03991290101	LCHM Limit Control	1	
5	U03051220047	Thermostat Millivolt	1	
6		Supporting Plate, Rear Feet	1	
7		Panel, Right	1	
8	U01221069501	Regulator	1	
9		Plate, Rear Flue	1	
10		Plate, Front Flue	1	
11		Panel, Rear	1	
12		Oil Tank Assembly	1	
13		Filter Panel	1	
14		Burner Isolating Plate, Upper	1	
15	U01201068532	Valve, Oil Drain	1	
16	U06051470489	Burner Assembly	4	
17		Isolating Plate, Front	1	
18		Panel, Front	1	
19	U02245	Handle & Door Assembly	1	
20		Door Assembly	1	
21	U01021005070	Door Handle	1	
22	U01211069001	ODS Flame Protection - NG	1	
22	U01211069003	ODS Flame Protection - LPG	1	
23		Gas Pipe Assembly	1	
24		Burner Isolating Plate, Lower	1	
25	U01021005195	Oil Drain Pipe	1	
26		Panel, Left	1	
27	U01021005117	Pipe, Corrugated	1	
28	U06051470674	Safety Control Valve Assembly - LPG	1	
28	U06051470654	Safety Control Valve Assembly - NG	1	
29	U00771	Pilot Tube	1	
30	U01078	Thermostat Knob	1	
31	U03991290085	Piezo Ignition	1	
32	U01021005186	Ignition Bar	Not Shown	1
33	U01201068651	Main Injector #51 LPG	Not Shown	1
33	U01201068658	Main Injector #58 - LPG	Not Shown	1
34	U03111250027	Thermocouple Assembly	Not Shown	1
35	U01051026758	Spatter Shield	Not Shown	1
36	U01535	Door magnet	Not Shown	1



GF30G Gas Orifice Elevation

Model	Rated Input Per Burner (BTU/HR)	Elevation		Elevation	
		0-2000 ft		2000 - 4000 ft	
		Nat	LP	Nat	LP
Fryer	13250	U01201068651 (#51)	U01201068658 (#58)	U06051470824 (#52)	U06051470967 (#59)
Elevation		Elevation			
4000 - 6000 ft		6000 - 8000 ft			
		Nat	LP	Nat	LP
Fryer	13250	U06051470824 (# 52)	U06051470967 (#59)	U06051470884 (#53)	U06051470975 (#60)
Elevation		Elevation			
8000 - 10000 ft					
		Nat	LP		
Fryer	13250	U06051470693 (#54)	U06051470975 (#60)		

All orifices sold as single quantities