



GFX HP 1,5 - 110V

GFX HP 2 - 220V

GF HP 4

Hard cheese graters, heavy-duty

GFX HP 2 models
features a removable hopper for ease of cleaning
The only one in the market



- Powerful, reliable heavy-duty cheese and bread graters, suitable for medium to large applications.
- 120V and 220V direct gear-driven motors.
- Overload and no volt release protection.
- Specially milled stainless steel drum.
- GFX HP 2 hopper removes for ease of cleaning. The only one in the market!
- Handle interlock deactivates unit when hopper is open.

Features

Technical

- The drum is made from milled stainless steel for longer lasting performance and always perfectly grated product output
- 1/16" tooth for very finely grated product.
- The gear-driven motor easily processes the toughest products.
- Featuring heavy duty fan cooled motors with thermal overload relay

Safety

- An interlock prevents the machine from starting when the handle is not lowered enough and stops the machine when the handle is lifted.
- Overcurrent and no volt release protection.

Sanitary

- Removable hopper for ease of cleaning (GFX HP 2 models)
- Plexiglas® catch pan, dishwasher safe.

Optional: Stainless steel catch pan option

Specifications

Construction:

Stainless steel body with anodized aluminum hopper.
Specially milled stainless steel drum.

Output GFX Hp 1,5-110V: Up to 3.6 Lbs./Min.

Output GFX Hp 2-220V: Up to 4 Lbs./Min.

Output GF Hp 4: Up to 8 Lbs./Min.

Electrical GFX Hp 1,5-110V: 120V, 60Hz, single-phase, 12A - 1.5 HP

Electrical GFX Hp 2-220V: 220V, 60Hz, single-phase, 6A - 2 HP, 14 AWG

Electrical GF Hp 4: 220V, 60Hz, 3-phase, single-phase, 13.36A - 4HP

Plug & Cord: Attached plug, flexible, 3 wire SJT 16 AWG, 6' long cord.

Controls, GFX series: ON/OFF stainless steel keypad. IP 67 waterproof.

No voltage release.

Controls GF 4 Hp:

Green ON & Red OFF (0) buttons + Emergency button.

No-voltage release.



Certified to UL Standard 763
 Certified to CSA Standard C22.2
GFX Hp 1.5 - GFX Hp 2



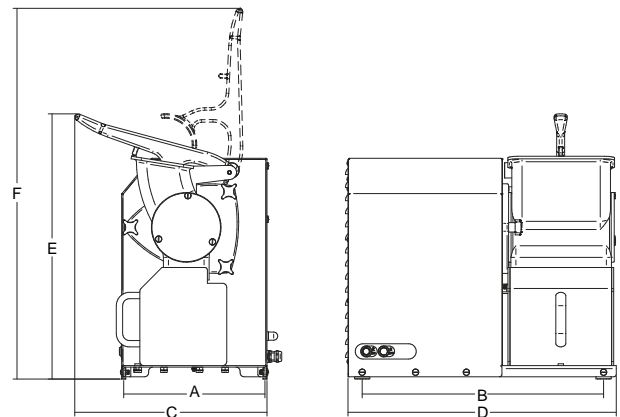
GFX Hp 1.5



GF Hp 4



GFX Hp 1.5
 Optional s/steel tray



	Power	Power source	Drum revolutions	Mouth dimensions	A	B	C	D	E	F	Net weight	Shipping	Gross weight
	watt/Hp	120V, 60Hz, 12 Amp.	r.p.m.	inch	inch.	inch.	inch.	inch.	inch.	inch.	lbs.	inch.	lbs.
GFX Hp 1.5	1100/1.2	120V, 60Hz, 12 Amp.	1.680	5 ^{33/64} x 3 ^{5/32} "	10 ^{15/64} "	15 ^{35/64} "	14 ^{8/64} "	17 ^{53/64} "	16 ^{7/32} "	24 ^{1/64} "	55	29" x 14" x 20"	62
GFX Hp 2	1400/2	220V, 60Hz, 6 Amp.	1.680	7 ^{1/2} " x 3 ^{3/4} "	10 ^{15/16} "	18 ^{45/64} "	14 ^{7/8} "	20 ^{25/32} "	20 ^{35/64} "	28 ^{47/64} "	75	36" x 36" x 25"	125
GF Hp 4	3000/4	220V, 60Hz, 3 phase, 13.36 Amp.	1.680	11 ^{13/16} " x 6 ^{5/16} "	13 ^{8/8} "	27 ^{8/16} "	25 ^{3/16} "	29 ^{1/2} "	25 ^{3/16} "	43 ^{5/16} "	139	33" x 34" x 33"	176