

Parts Catalog



GCB24G

Gas Cooking Equipment Charbroiler

Model: GCB24G

5/02/2018 Rev A

IMPORTANT!

TO EXPEDITE SHIPMENT OF PARTS, ALWAYS SPECIFY MODEL, REV,
PART NUMBER, AND SERIAL NUMBER OF UNIT.

GLOBE FOOD EQUIPMENT COMPANY

2215 East River Road
Dayton, Ohio 45439

Parts Department

Toll Free 1-800-745-6238 · Fax (937) 290-0585

E-Mail: info@globefoodequip.com

Website: www.globefoodequip.com

Not for resale

Table of Contents

Description

Page

GCB24G Charbroiler

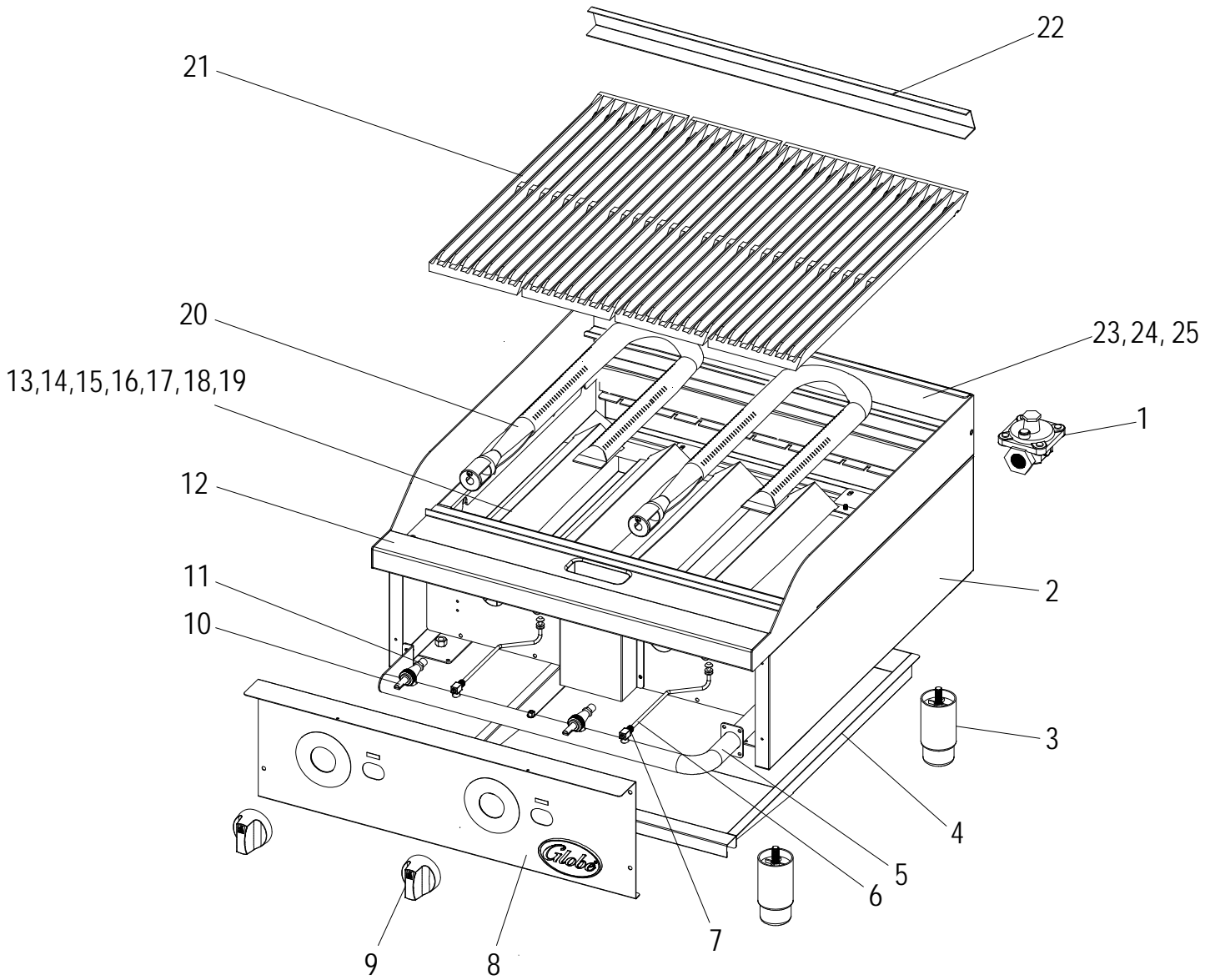
4

GCB24G Gas Orifice Elevation

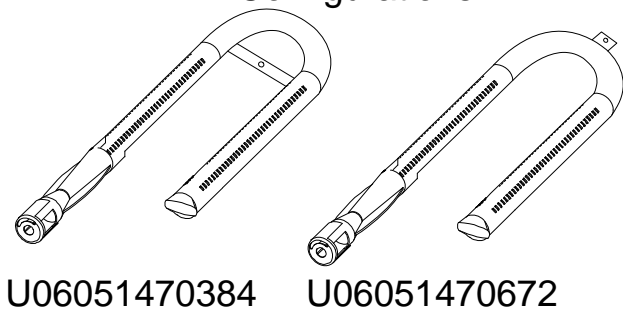
6



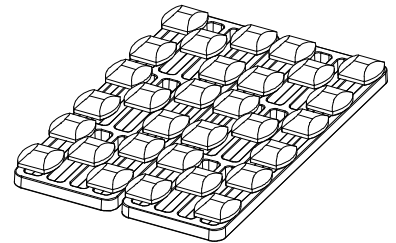
GCB24G Charbroiler



20
Stainless Steel Burner Assembly
Configurations



26
Char Radiant Kit - Gas





GCB24G Charbroiler

Item	Part Number	Description	Qty	Serial Number	
1	U01221069501	Regulator	1		
2		Main Enclosure, Lower	1		
3	U01021005165	Foot, Adjustable - SS	4		
4	U01051027231	Drip Tray	1	->1714030060	
4	U01082	Drip Tray	1	1714030061 - 1716053447	
4	U01257	Drip Tray	1	1716053448 ->	
5		Manifold Assembly	1		
6	U06051470667	Pipe of Pilot Assembly	Purchase with *	2	->1714030060
6	U01542	Pipe of Pilot Assembly	Purchase with *	2	1714030061 ->
7	U01201068509	Pilot Valve, Single	*	2	
8		Control Panel	1		
9	U01021005188	Control Knob	2		
10	U01201068502	Valve, Manual Control Unit	2		
11	U01201068636	Main Injector #36 NG (1 per burner)	2		
11	U01201068649	Main Injector #49 LPG (1 per burner)	2		
12		Main Enclosure, Upper	1		
13	U01218	Support Assembly	Not Shown	1	
14	U01212	Support Bar	Not Shown	2	
15	U01216	Radiant, Lower		4	
16	U01217	Screw	Not Shown	4	
17	U01488	Burner Cover	Not Shown	2	
18	U02044	Radiant Tent, Cast Iron	Equivalent to CHARCIRAD	4	
19	U02046	Radiant Tent, Stainless Steel	Equivalent to CHARSSRAD	4	
20	U06051470384	Stainless Steel Burner Assembly		2	->1714030060
20	U06051470672	Stainless Steel Burner Assembly		2	1714030061 ->
21	U01031015028	Cooking Grate 6"	Equivalent to CHARGRATE6	4	
22	U01051026100	Panel, Grate Support		1	->1714030060
22	U01539	Panel, Grate Support		1	1714030061 ->
23		Isolating Plate Assembly		1	
24		Isolating Plate, Lower		1	
25		Panel, Burner Support		2	
26	U02045	Char Radiant Kit - Gas	Equivalent to CHARRADKIT	1	
27	U01021005186	Ignition Bar	Not Shown	1	



GCB24G Gas Orifice Elevation

Model	Rated Input Per Burner (BTU/HR)	Elevation		Elevation	
		Nat	LP	Nat	LP
		0-2000 ft		2000 - 4000 ft	
		Nat	LP	Nat	LP
Char Broiler	40000	U01201068636 (#36)	U01201068649 (#49)	U06051470847 (#38)	U06051470832 (#50)
		Elevation		Elevation	
		4000 - 6000 ft		6000 - 8000 ft	
		Nat	LP	Nat	LP
Char Broiler	40000	U06051470877 (# 39)	U06051470832 (#50)	U06051470907 (#40)	U01201068651 (#51)
		Elevation			
		8000 - 10000 ft			
		Nat	LP		
Char Broiler	40000	U06051470937 (#42)	U01201068651 (#51)		

All orifices sold as single quantities