

# Parts Catalog



**GCB15G**

## **Gas Cooking Equipment Charbroiler**

**Model: GCB15G**

5/02/2018 Rev A

IMPORTANT!

TO EXPEDITE SHIPMENT OF PARTS, ALWAYS SPECIFY MODEL, REV,  
PART NUMBER, AND SERIAL NUMBER OF UNIT.

### **GLOBE FOOD EQUIPMENT COMPANY**

2215 East River Road  
Dayton, Ohio 45439

#### **Parts Department**

Toll Free 1-800-745-6238 · Fax (937) 290-0585

E-Mail: [info@globefoodequip.com](mailto:info@globefoodequip.com)

Website: [www.globefoodequip.com](http://www.globefoodequip.com)

Not for resale



# Table of Contents

**Description**

**Page**

GCB15G Charbroiler

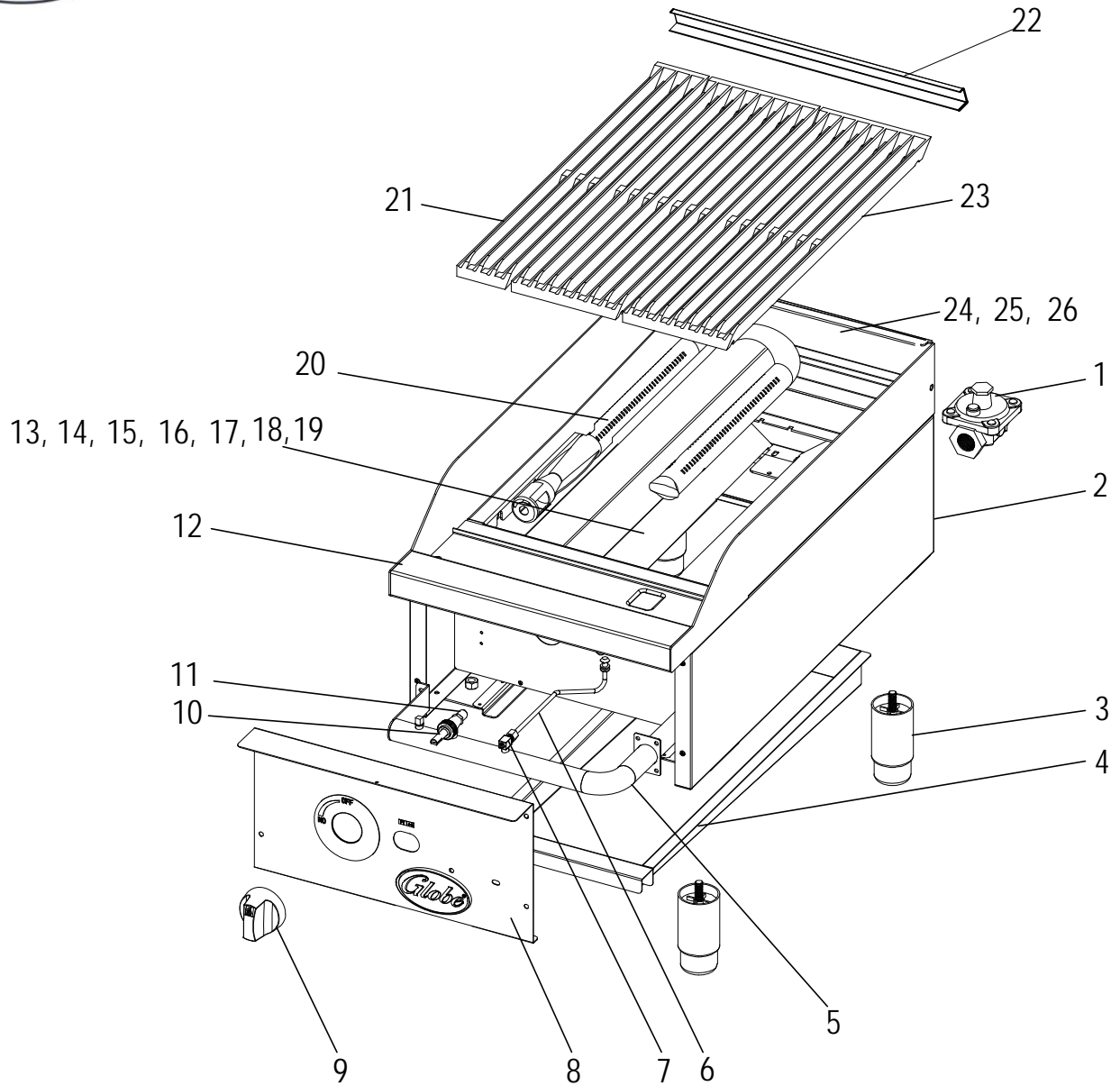
4

GCB15G Gas Orifice Elevation

6

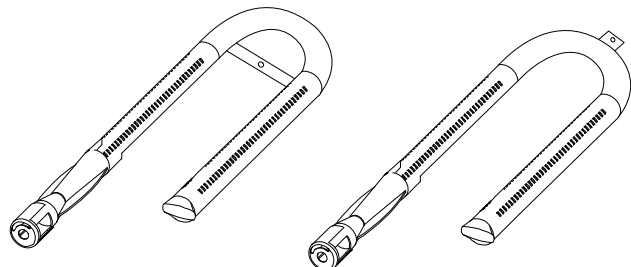


# GCB15G Charbroiler



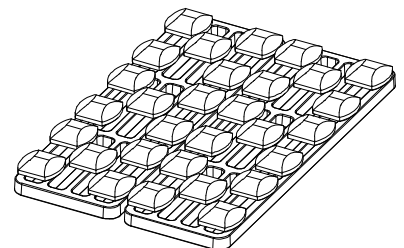
20  
Stainless Steel Burner Assembly  
Configurations

27  
Char Radiant Kit - Gas



U06051470384

U06051470672





## GCB15G Charbroiler

Item	Part Number	Description	Qty	Serial Number
1	U01221069501	Regulator	1	
2		Main Enclosure, Lower	1	
3	U01021005165	Foot, Adjustable - SS	4	
4	U01051027196	Drip Tray	1	->1714030020
4	U01255	Drip Tray	1	1714030021 - 1716053999
4	U01256	Drip Tray	1	1716054000 ->
5		Manifold Assembly	1	
6	U06051470667	Pipe of Pilot Assembly	Purchase with *	1 ->1714030020
6	U01542	Pipe of Pilot Assembly	Purchase with *	1 1714030021 ->
7	U01201068509	Pilot Valve, Single	*	1
8		Control Panel	1	
9	U01021005188	Control Knob	1	
10	U01201068502	Valve, Manual Control Unit	1	
11	U01201068636	Main Injector #36 NG (1 per burner)	1	
11	U01201068649	Main Injector #49 LPG (1 per burner)	1	
12		Main Enclosure, Upper	1	
13	U01218	Support Assembly	Not Shown	1
14	U01212	Support Bar	Not Shown	2
15	U01216	Radiant, Lower		2
16	U01217	Screw	Not Shown	4
17	U01488	Burner Cover	Not Shown	1
18	U02044	Radiant Tent, Cast Iron	Equivalent to CHARCIRAD	1
19	U02046	Radiant Tent, Stainless Steel	Equivalent to CHARSSRAD	1
20	U06051470384	Stainless Steel Burner Assembly		1 ->1714030020
20	U06051470672	Stainless Steel Burner Assembly		1 1714030021 ->
21	U01031015045	Cooking Grate 3"	Equivalent to CHARGRATE3	1
22	U01051026288	Panel, Grate Support		1 ->1714030020
22	U01538	Panel, Grate Support		1 1714030021 ->
23	U01031015028	Cooking Grate 6"	Equivalent to CHARGRATE6	2
24		Isolating Plate Assembly		1
25		Isolating Plate, Lower		1
26		Panel, Burner Support		1
27	U02045	Char Radiant Kit - Gas	Equivalent to CHARRADKIT	1
28	U01021005186	Ignition Bar	Not Shown	1



## GCB15G Gas Orifice Elevation

Model	Rated Input Per Burner (BTU/HR)	Elevation		Elevation	
		Nat	LP	Nat	LP
		0-2000 ft		2000 - 4000 ft	
		Nat	LP	Nat	LP
Char Broiler	40000	U01201068636 (#36)	U01201068649 (#49)	U06051470847 (#38)	U06051470832 (#50)
		Elevation		Elevation	
		4000 - 6000 ft		6000 - 8000 ft	
		Nat	LP	Nat	LP
Char Broiler	40000	U06051470877 (# 39)	U06051470832 (#50)	U06051470907 (#40)	U01201068651 (#51)
		Elevation			
		8000 - 10000 ft			
		Nat	LP		
Char Broiler	40000	U06051470937 (#42)	U01201068651 (#51)		

All orifices sold as single quantities