

Continental



Refrigerator

EXTRA-WIDE LOW-TEMP FREEZERS

Utilizing Environmentally Safe, CFC-free R-404A Refrigerant



1FE-LT



1FX-LT



2FE-LT



3FE-LT

Standard Features

- Modern, State-of-the-Art Styling
- Performance Rated Refrigeration System Designed for 0°F Cabinet
- 3" Non-CFC Polyurethane Foam Insulation
- Chrome Plated Flow Line Handles
- Cam-Action Lift-Off Hinges
- Self-Closing Doors
- Automatic Interior Lighting
- Magnetic Snap-In Door Gasket
- Cylinder Lock In Each Door
- Automatic Electric Condensate Evaporator
- 5" Casters
- Heavy-Duty, Epoxy-Coated Steel Shelves
- External Dial Thermometer
- Automatic Electric Defrost

Standard (S/S Front, Aluminum End Panels & Interior)
Suffix SA (S/S Exterior, Aluminum Interior)
Suffix SS (S/S Exterior & Interior)

Optional Features & Accessories

- Stainless Steel Case Back
- Pan Slide Assemblies
- Increased Refrigeration Systems
- Stainless Steel Shelves
- Digital Thermometer
- Rehinging of Doors
- Half Door Model
- Remote Model
- Pass-Thru Model
- Shallow Depth Model
- Stainless Steel or Black Legs





SPECIFICATIONS

CHARACTERISTICS

Net Capacity (cu.ft.)
 Width, Overall (in.)
 Depth, Overall (Incl. Hlds.) (in.)
 Depth (Less Door(s)) (in.)
 Depth (Door(s) Open 90°) (in.)
 Clear Door Width (in.)
 Clear Full-Door Height (in.)
 Clear Half-Door Height (in.)
 Height, Overall (Incl. 5" Casters) (in.)
 Full Door(s)
 Half Door(s)
 Shelves
 Shelf Area (sq. ft.)
 Tray Slide Capacity (Half)
 Tray Slide Capacity (Full)

REFRIGERATION DATA

Condensing Unit Size (H.P.)
 Capacity (BTU/Hr)*

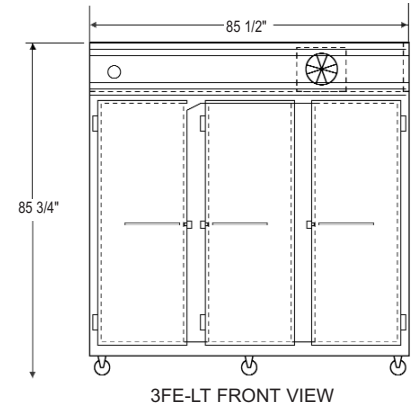
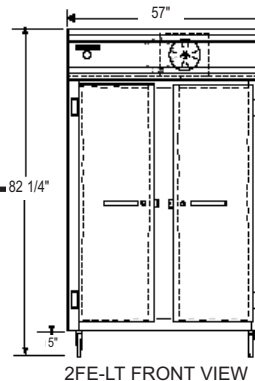
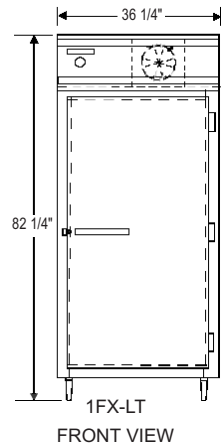
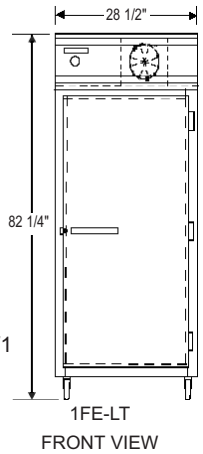
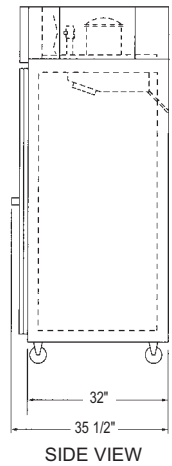
ELECTRICAL DATA

Cabinet Specifications
 Feed Wires (Incl. Ground)
 Condensing Unit Specs.
 Total Amperes
 Cabinet Amperes
 Defrost Amperes
 Power Supply Cord

SHIPPING DATA

Height – crated (in.)
 Width – crated (in.)
 Depth – crated (in.)
 Volume – crated (cu. ft.)
 Weight Std – crated (lbs.)
 Weight SS – crated (lbs.)
 Weight Std – uncrated (lbs.)
 Weight SS – uncrated (lbs.)

	1FE-LT	1FX-LT	2FE-LT	3FE-LT
Reach-In	21	30	50	73
Net Capacity (cu.ft.)	21	30	50	73
Width, Overall (in.)	28 1/2	36 1/4	57	85 1/2
Depth, Overall (Incl. Hlds.) (in.)	35 1/2	35 1/2	35 1/2	35 1/2
Depth (Less Door(s)) (in.)	32	32	32	32
Depth (Door(s) Open 90°) (in.)	58	66	58	58
Clear Door Width (in.)	21 7/8	29 5/8	21 7/8	21 7/8
Clear Full-Door Height (in.)	58 5/8	58 5/8	58 5/8	58 5/8
Clear Half-Door Height (in.)	27 1/2	27 1/2	27 1/2	27 1/2
Height, Overall (Incl. 5" Casters) (in.)	85 3/4	85 3/4	85 3/4	85 3/4
Full Door(s)	1	1	2	3
Half Door(s)	2	2	4	6
Shelves	3	3	6	9
Shelf Area (sq. ft.)	20.4	24.4	40.8	61.2
Tray Slide Capacity (Half)	11 ea.	12 ea.	11 ea.	11 ea.
Tray Slide Capacity (Full)	24 ea.	24 ea.	24 ea.	24 ea.
Condensing Unit Size (H.P.)	3/4	1	1	2
Capacity (BTU/Hr)*	2050	3175	3175	6300
Cabinet Specifications	115/208-230/60/1	115/208-230/60/1	115/208-230/60/1	115/208-230/60/1
Feed Wires (Incl. Ground)	4	4	4	4
Condensing Unit Specs.	208-230/60/1	208-230/60/1	208-230/60/1	208-230/60/1
Total Amperes	10	10.8	10.8	15.0
Cabinet Amperes	1.8	2.6	2.6	3.6
Defrost Amperes	6.5	9.6	9.6	10.4
Power Supply Cord	no	no	no	no
Height – crated (in.)	85 1/2	85 1/2	85 1/2	85 1/2
Width – crated (in.)	31 5/8	31 5/8	64	90
Depth – crated (in.)	65	65	133	187
Volume – crated (cu. ft.)	63	87	129	181
Weight Std – crated (lbs.)	450	480	565	810
Weight SS – crated (lbs.)	510	550	675	965
Weight Std – uncrated (lbs.)	350	390	425	640
Weight SS – uncrated (lbs.)	410	450	525	755



*Rating @ -15°F Evaporator, 90° Ambient

Note: If the cabinet is located directly against wall and/or under low ceiling, a minimum clearance of 2" is required.

Note: All specifications subject to change without notice.



A Division of National Refrigeration & A/C Products, Inc.
 539 Dunksferry Road Bensalem, PA 19020
 (800) 523-7138 Fax: (215) 244-9579
www.continentalrefrigerator.com