

FC-816

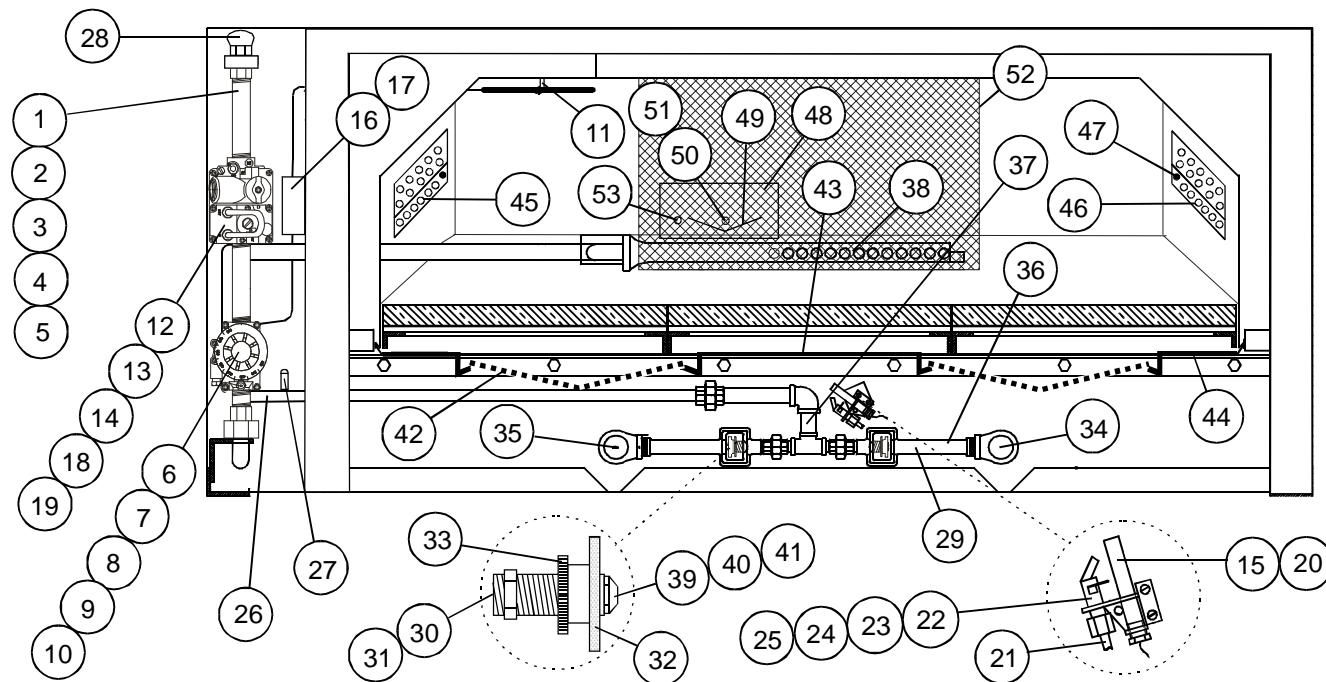
Gas Deck Oven

30 Pine Street • New Rochelle • New York • 10801

914 / 576 - 0200
 914 / 576 - 0605 fax
 1 - 800 - 431 - 2745 US & Canada
 www.bakerspride.com web address



Figure B Controls / Interior Components



| Item | Part # | Description | Item | Part # | Description |
|------|--------|--|------|--------|----------------------------------|
| 1 | M1403P | Control Assy, Nat (w/BGOR Valve) | 28 | R1083P | Gas Inlet Assy |
| 2 | M1404X | Control Assy, LP (w/BGOR Valve) | 29 | L5001X | Inspirator #3 |
| 3 | M1300X | Control Assy, CE, Nat (w/BGOR Valve) | 30 | R3007X | Spud Assy #3 |
| 4 | M1295X | Control Assy, Nat (w/BMVR Valve) | 31 | R3004A | Spud Holder #3 |
| 5 | M1255X | Control Assy, LP (w/BMVR Valve) | 32 | R3005A | Adjusting Disc, #3 |
| 6 | M1005X | Thermostat, Gas, FDTH (650F) | 33 | R3006A | Locking Disc, #3 |
| 7 | S1056X | Knob, Thermostat, 650F | 34 | L5049P | Burner w/Cap & Elbow, Right |
| 8 | S1163X | Knob, Thermostat, CE, 340C | 35 | L5048P | Burner w/Cap & Elbow, Left |
| 9 | M1390X | Thermostat, High Heat, Elec (Opt.) | 36 | L5058X | Burner, Complete, FC8 (To Union) |
| 10 | S1207X | Knob, High Heat Thermostat (1-10) | 37 | N3060P | Manifold Tee Assy, FC8 |
| 11 | Q4021X | Capillary Clip | 38 | L5074X | Booster Burner Assy |
| 12 | R3152X | Valve, Nat, 7000-BGOR | 39 | R3129X | Orifice, LP, #43 Drill (2) |
| 13 | R3154X | Valve, LP, 7000-BGOR | 40 | R3117X | Orifice, Nat, #25 Drill (2) |
| 14 | R3156X | Valve, Nat, CE, U7000-BGOR | 41 | R3008X | Orifice, Blank - Not drilled |
| 15 | M1296X | Thermocouple, T46 (72") | 42 | A4265X | Flame Diverter, Slide Out (2) |
| 16 | R3127X | Valve, Booster Burner, LP | 43 | A4263X | Flame Diverter, Center (1) |
| 17 | R3126X | Valve, Booster Burner, Nat | 44 | A4262X | Flame Diverter, Side (2) |
| 18 | R3104X | Valve, BMVR, Nat (Before SN846) | 45 | A4586T | Flue Slide Assy, Lower Left |
| 19 | R3124X | Valve, BMVR, LP (Before SN846) | 46 | A4587T | Flue Slide Assy, Lower Right |
| 20 | M1265X | Thermopile (Before SN846) | 47 | S1010X | Knob, Flue Slide |
| 21 | R3036X | Pilot Tubing, S/S, 3/16" x 45" | 48 | A4543X | Ignitor/Sensor Plate Assy |
| 22 | M1220X | Pilot Burner, Natural, w/Ftgs, 2 CHA-1 | 49 | A4698X | Ignitor Shield |
| 23 | M1222X | Pilot Burner, LP, w/Fittings, 2 CHA-1 | 50 | M2040X | Ignitor |
| 24 | M1244X | Orifice, Pilot, Nat, 2 CHA-1 (.018") | 51 | A4554E | Ignitor Bracket |
| 25 | M1245X | Orifice, Pilot, LP, 2 CHA-1 (.010") | 52 | A4567T | Burner Screen Assy |
| 26 | R1041P | Manifold | 53 | M1167X | Flame Sensor |
| 27 | N3068P | Pressure Tap Nozzle Assy | | | |



30 Pine Street • New Rochelle • New York • 10801

914 / 576 - 0200
 914 / 576 - 0605 fax
 1 - 800 - 431 - 2745 US & Canada
 www.bakerspride.com web address

FC-816

Gas Deck Oven

PARTS LIST

Il Forno



Model Number: **FC-816**

Type of Gas: Natural L.P. Other

Serial Number _____

Voltage: 115 208/240

FC-816

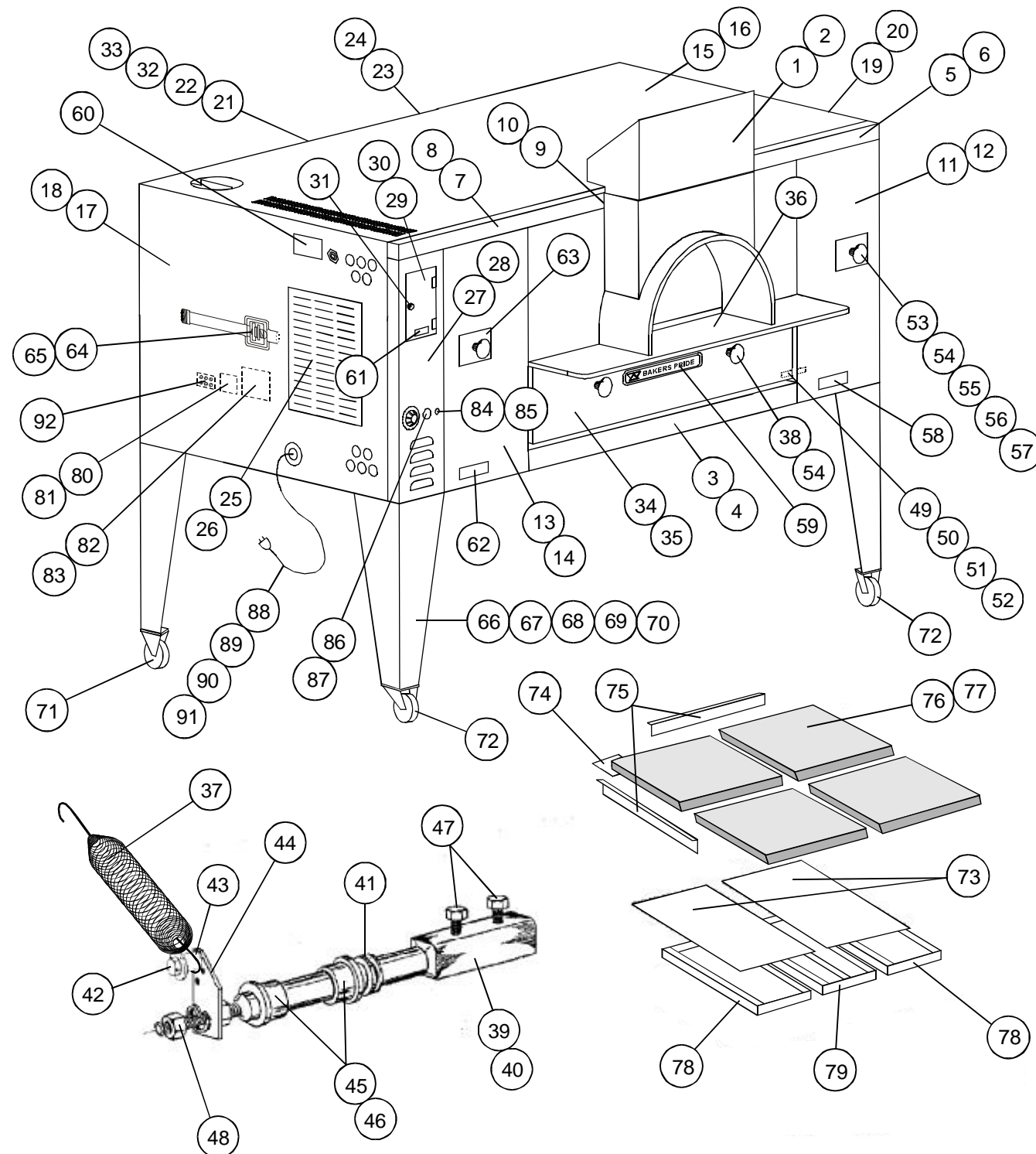
Gas Deck Oven

30 Pine Street • New Rochelle • New York • 10801

914 / 576 - 0200
 914 / 576 - 0605 fax
 1 - 800 - 431 - 2745 US & Canada
 www.bakerspride.com web address



Figure A Exterior / Decks / Door



| Item | Part # | Description | Item | Part # | Description |
|--|--------|---|--|--------|---------------------------------------|
| Exterior / Decks / Door | | | | | |
| 1 | A4676U | Flue Enclosure Assy, S/S | 48 | Q2401X | Nut, Door Rod (9/16-18) |
| 2 | A4574X | Flue Enclosure Assy | 49 | S3009X | Pin, Door, Right Side (9/16"-18 x 3") |
| 3 | A4001X | Bottom Apron, S/S | 50 | S3138X | Sleeve Assy, Door Pin |
| 4 | A4540X | Bottom Apron | 51 | S3136A | Sleeve, Duralon, Door Pin |
| 5 | A4662K | Top Trim, Right, S/S | 52 | Q3023X | Spacer Kit, Door Pin |
| 6 | A4508K | Top Trim, Right | 53 | S3036X | Push-Pull Rod |
| 7 | A4663K | Top Trim, Left, S/S | 54 | S1005X | Knob, Push-Pull, 3/8"-16 (4) |
| 8 | A4509K | Top Trim, Left | 55 | Q2217A | Bolt, Push-Pull Rod (1) |
| 9 | A4664K | Top Trim, Center, S/S | 56 | Q2306A | Nut, Push-Pull Rod (2) |
| 10 | A4590K | Top Trim, Center | 57 | Q3009A | Flat Washer, Push-Pull Rod (2) |
| 11 | A4670K | Front Panel, Right, S/S | 58 | U1041A | Plate, Minimum Clearance |
| 12 | A4514K | Front Panel, Right | 59 | U1043X | Bakers Pride Logo, (13 3/4") |
| 13 | A4667K | Front Panel, Left, S/S | 60 | U1210A | Label, Warning |
| 14 | A4512K | Front Panel, Left | 61 | U1230A | Label, Inst. Under Vent Hood |
| 15 | A4207X | Outer Top, S/S | 62 | U1240A | Label, Unit For Use Only With..... |
| 16 | A4208U | Outer Top | 63 | U1224A | Plate, Push-Pull |
| 17 | A4656K | Outer Side, Left, S/S | 64 | R3058X | Orifice, Nat #44 Drill, Booster (1) |
| 18 | A4506K | Outer Side, Left | 65 | R3134X | Orifice, LP #55 Drill, Booster (1) |
| 19 | A4657K | Outer Side, Right, S/S | 66 | S1120Y | Legs w/Casters, 30" (Set/4, w/Bolts) |
| 20 | A4507K | Outer Side, Right | 67 | S1121Y | Legs w/Casters, 38" (Set/4, w/Bolts) |
| 21 | A4681K | Outer Back Assy, S/S | 68 | Q2102A | Bolt, Leg, 1/2-13 x 1 (ea) |
| 22 | A4518K | Outer Back Assy | 69 | S1078X | S/S Leg Wrap, 30", Set/2 (w/Casters) |
| 23 | A4684U | Back Access Cover, S/S | 70 | S1079X | S/S Leg Wrap, 38", Set/2 (w/Casters) |
| 24 | A4564X | Back Access Cover | 71 | S1022X | Caster, No Lock (ea) |
| 25 | A4671K | Access Cover, Left, S/S | 72 | S1023X | Caster, w/Lock (ea) |
| 26 | A4515X | Access Cover, Left | 73 | A4290X | Hearth Liner Sheet, (Set) |
| 27 | A4665U | Control Panel Assy, S/S | 74 | A4140Z | Shim, Hearth (ea) |
| 28 | A4510X | Control Panel Assy | 75 | K1099K | Wedge, Hearth, 30" (2) |
| 29 | A4672U | Combination Valve Door Assy, S/S | 76 | T1153Y | Hearth Deck, 22x33x1 1/2 (ea) |
| 30 | A4516U | Combination Valve Door Assy | 77 | T1153X | Hearth Deck, 22x33x1 1/2 (Set/4) |
| 31 | S1153X | Knob | 78 | A4277X | Hearth Frame Assy, Side (2) |
| 32 | A4753K | Back Access Cover Shield, S/S | 79 | A4292T | Hearth Frame Assy, Center (1) |
| 33 | A4752K | Back Access Cover Shield | 80 | M1145X | Transformer 115/24 |
| 34 | A4767T | Door Assy, Bottom, S/S | 81 | M1174X | Transformer 208-240/24 |
| 35 | A4539T | Door Assy, Bottom | 82 | M1196X | Ignition Control Module 115 |
| 36 | A4744K | Lintel Plate Cover (S/S Units Only) | 83 | M1170X | Ignition Control Module 208/240 |
| 37 | S3004X | Spring, Bottom Door 13/16" x 6 3/4" | 84 | M1037X | Switch, Toggle, Booster |
| 38 | Q2324A | Screw, Door Knob, 3/8-16x2 1/2 (2) | 85 | S1030X | Switch Plate, On/Off |
| 39 | S3128W | Door Rod Assy, Left Side (3/4" x 14 1/2") | 86 | P1117X | Fuse Holder |
| 40 | S3128X | Door Rod, Left Side (3/4" x 14 1/2") | 87 | P1118X | Fuse, 10 Amp |
| 41 | Q3024X | Spacer Kit, Door Rod | 88 | P6004X | Line Cord, 125V/15A |
| 42 | Q2301X | Shoulder Bolt, 3/8-16 x 1" | 89 | P6005X | Line Cord, 250V/15A |
| 43 | S3007X | Teflon Bushing Assy | 90 | P6006X | Line Cord, Europe,CEE VII, 16A |
| 44 | S3056X | Lever, Door Spring (3 1/2") | 91 | P6343X | Line Cord, 13A w/fuse (UK) |
| 45 | S3135X | Bushing w/Insert, Door Rod (3/4") | 92 | P1003X | Terminal Block, 3 Pole |
| 46 | S3133X | Insert Only (Duralon) | N/S | M1002X | Automatic Oven Starter (115VAC) |
| 47 | Q2303X | Bolt, Door Rod, 3/8-16 (2) | N/S | M1084S | Automatic Oven Starter (208/240VAC) |
| BGOR Conversion Kit (LP to Nat) | | | BMVR Conversion Kit (LP to Nat) Before S.N. 846 | | |
| 2 | R3117X | Orifice, Nat, #25 Drill | 2 | R3117X | Orifice, Nat, #25 Drill |
| 1 | M1297X | BGOR Valve Kit, Nat | 1 | M1260X | BMVR Valve Kit, Nat |
| 1 | M1244X | Orifice, Pilot, Nat, 2 CHA-1 (.018") | 1 | M1244X | Orifice, Pilot, Nat, 2 CHA-1 (.018") |
| 1 | R3058X | Booster Orifice #44, Nat | 1 | R3058X | Booster Orifice #44, Nat |
| 1 | M1262X | Booster Valve Kit, Nat | 1 | M1262X | Booster Valve Kit, Nat |
| BGOR Conversion Kit (Nat to LP) | | | BMVR Conversion Kit (Nat to LP) Before S.N. 846 | | |
| 2 | R3129X | Orifice,LP #43 Drill | 2 | R3129X | Orifice,LP #43 Drill |
| 1 | M1221X | BGOR Valve Kit, LP | 1 | M1221X | BMVR Valve Kit, LP |
| 1 | M1245X | Orifice, Pilot, LP, 2 CHA-1 (.010") | 1 | M1245X | Orifice, Pilot, LP, 2 CHA-1 (.010") |
| 1 | R3134X | Booster Orifice #55, LP | 1 | R3134X | Booster Orifice #55, LP |
| 1 | M1263A | Booster Valve Kit, LP | 1 | M1263A | Booster Valve Kit, LP |