

OPERATION MANUAL  
FOR  
**SODIR**  
WARMING DISPLAYS

MODELS WD-100 AND WD-200

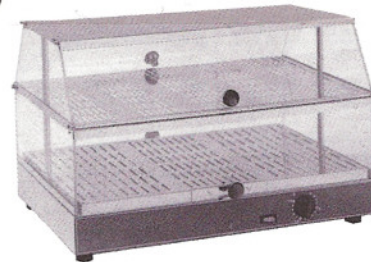
**WD-100**

120 V



**WD-200**

120 V





## IMPORTANT SAFEGUARDS

When using electrical appliances, basic safety precautions should always be followed, including the following:

1. Read all the instructions before use.
2. Do not touch hot surfaces. Use handles or knobs.
3. To avoid electrical shock, do not immerse the power cord, plug or connection box in water or other liquid.
4. Close supervision is necessary when any appliance is used or near children.
5. Unplug from outlet when not in use and before cleaning. Allow to cool before installing or removing parts, and before cleaning.
6. Do not operate any appliance with a damaged cord or plug or after appliance malfunctions, or after damage of any kind. Return appliance to the nearest authorized service facility for examination, repair or adjustment.
7. The use of accessory attachments not recommended by the appliance manufacturer may cause injury.
8. Do not use outdoors.
9. Do not allow cord to hang over edge of table or counter. Do not allow cord to touch hot surfaces.
10. Do not place on or near a burner, or in a heated oven.
11. Always attach plug to appliance before plugging cord into the wall outlet. To disconnect, turn all controls to "OFF" then remove plug from the wall outlet.
12. Do not use appliance other than for its intended use.
13. SAVE THESE INSTRUCTIONS.

## INTRODUCTION

The SODIR Models WD-100 and WD-200 counter top warming displays are designed to offer quality holding of hot food. These pass-through units are constructed of food service quality stainless steel and heat resistant plastic. The displays are equipped with a powerful base-mounted sheathed heating element, a removable compact water pan, a regulating thermostat, lighted power switch and a red indicator light. Model WD-100 is a single-shelf unit, while Model WD-200 comes with two shelves. The display comes equipped with removable crumb tray.

### SPECIFICATIONS

Model	Electric	Plug Configuration
WD-100	120V, 1PH, 0.75KW, 7A	NEMA-5-15P
WD-200	120V, 1PH, 0.75KW, 7A	NEMA-5-15P

## INSTALLATION

The SODIR warming displays need to be connected to a grounded outlet of proper voltage (120V). DO NOT place the unit in a damp area or near steam sources.

## OPERATION

The SODIR warming displays are shipped completely assembled. Before operating the display, remove all protective packaging materials and clean the unit prior to plugging it in. After the display is prepared for operation, turn the heating element power switch to the ON position and select the desired temperature by turning the thermostat knob clockwise. The red indicator light will be lit. There are three marked positions on the regulating thermostat dial: MIN, MED and MAX. With the thermostat knob turned to the MAX position, the warming display will achieve approximately 250 F.

**Note:** should the product require to be held in a moist atmosphere, add water to the removable slide-out water pan located in the bottom of the warming shelf.

The SODIR warming displays can be used for holding a wide variety of food. Holding temperature and times will vary depending on food products. Following are some suggested guidelines for foods frequently held in the units.

<b>Food Product</b>	<b>Holding Temp., F</b>	<b>Suggested Holding Time, Hour</b>
Biscuits	150 – 175	½
Casseroles – No crust	170 – 190	3
Muffins	140 – 150	3
Sweet Rolls	140 – 150	2
Baked Potatoes	170 – 190	½
Wrapped Sandwiches	155 – 165	½
Fried Chicken	170 – 190	3
Apple Pie	155 – 165	4
Popovers	140 – 150	1
Open Pastry	155 – 165	2
Wrapped Pastry	155 – 165	4
Pretzel	160 – 170	3
Fruit Turnover	155 – 165	1-1/2
Pizza – Thin Crust	165 – 175	1
Pizza – Thick Crust	165 – 175	2

## CLEANING

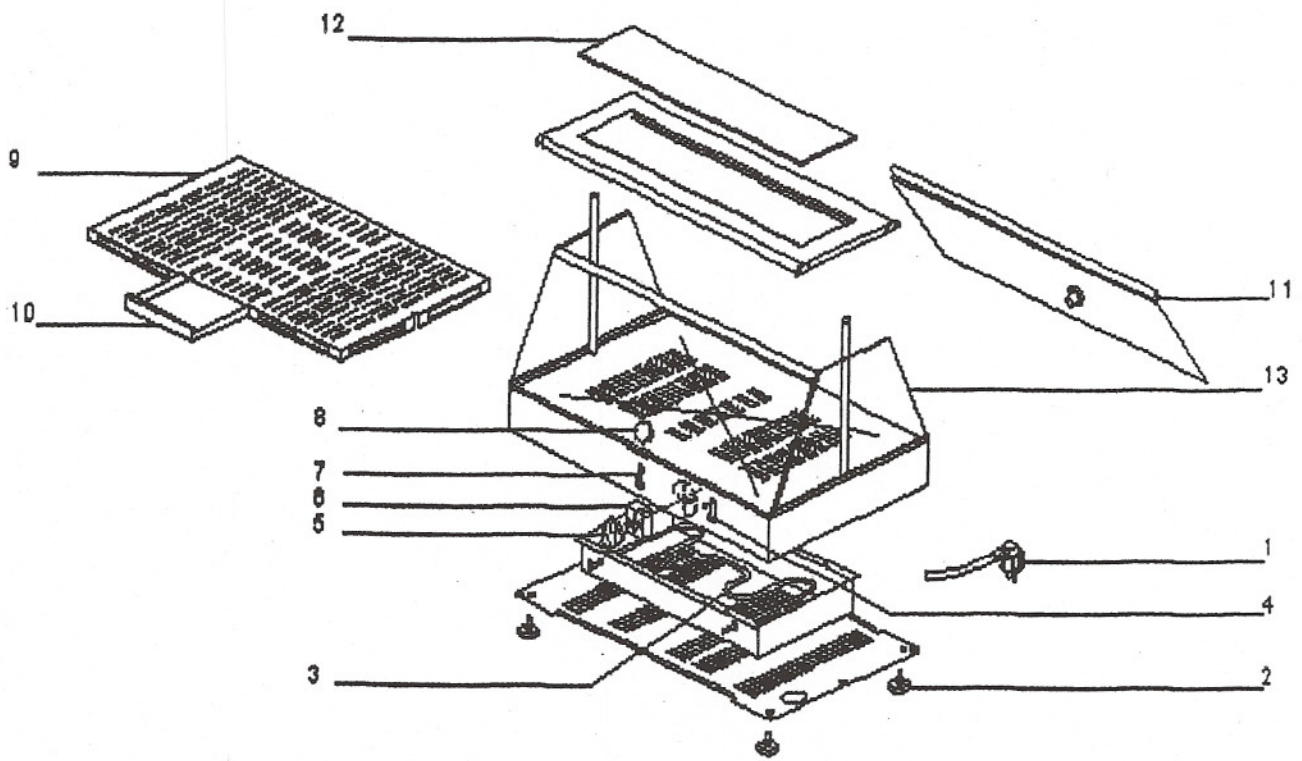
**WARNING: Disconnect (unplug) electrical power supply before cleaning**

Cleaning is very important in maintaining a safe and well working warming display. After disconnecting the unit from its power supply, allow it to cool. The bottom shelf, water pan, perforated cover located under the bottom warming shelf and the crumb tray can be removed for cleaning. These parts are dishwasher safe and, therefore, can be washed in a dishwasher or in a pot sink. Use a cloth dampened in a soap and water mixture to clean the exterior and interior stainless steel surfaces and the plastic sides and doors. Use a clean, lint-free cloth to remove the excess water or soap.

- DO NOT** immerse the unit in water or any other liquid
- DO NOT** spray the housing with any liquid
- DO NOT** wash the unit under running water
- DO NOT** allow water to drip into the housing around the electrical components

Inspect all parts on a regular basis to ensure that all parts are in good working order. If a part is damaged, have the unit repaired by an authorized service agency prior to returning the unit to operation. If you have trouble locating a service agency in your area, call EQUIPEX, LTD. at 1-800-649-7885 and ask for customer service.

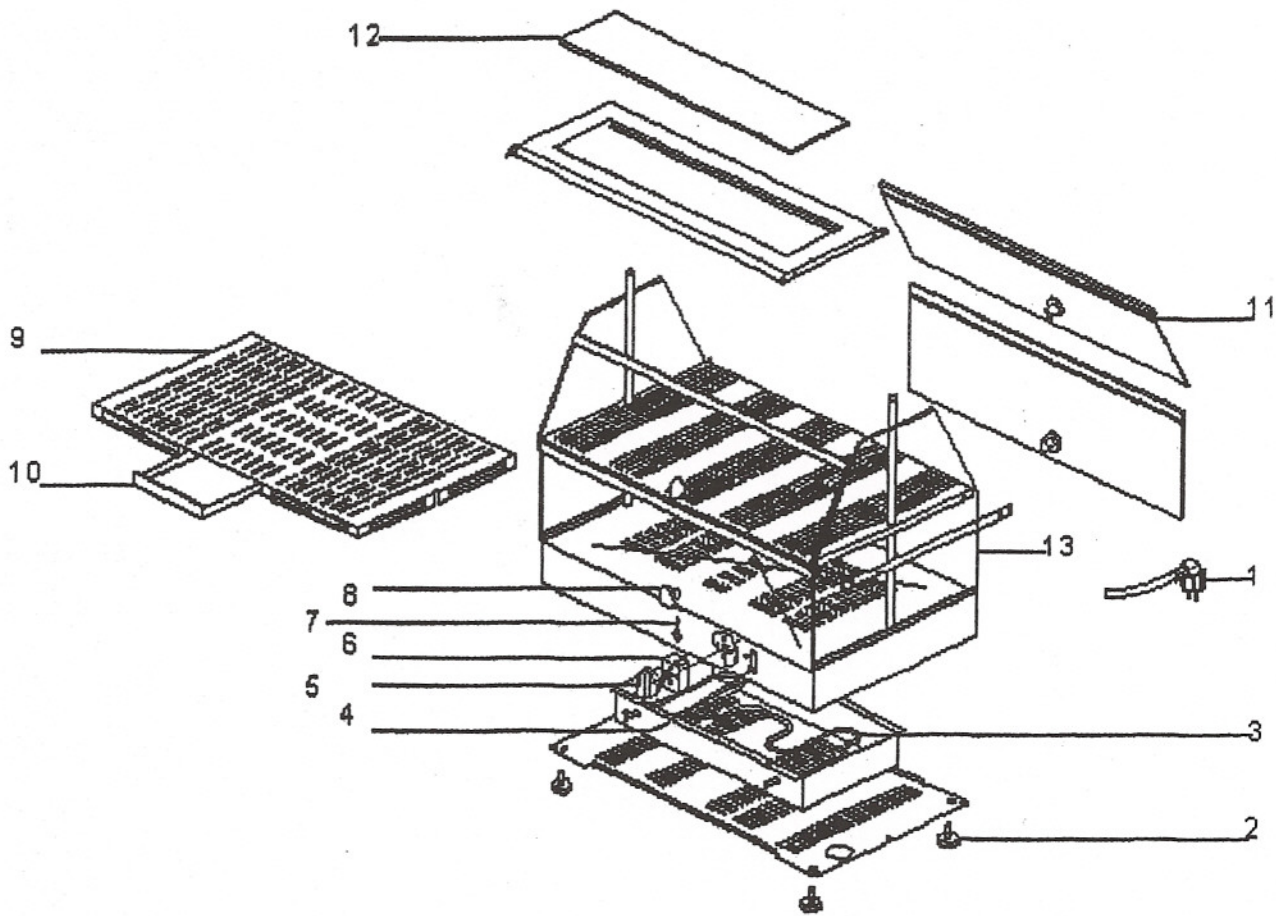
EQUIPEX, LTD.				
765 Westminster Street, Providence, RI 02903				
tel: (401) 273-3300			fax: (401) 273-3328	
			Toll free: 1-800-649-7885	
SODIR Model WD 100 Warming Display (120V/60/1 Phase)				
<b>Drawing #</b>	<b>Part Number</b>	<b>Quantity</b>	<b>Description</b>	<b>Old Part Number</b>
1	OEM0011	1	Power Cord, 120V	P-S303001
2	A13009	4	Foot	P-S113009
3	D02001	1	Heating Element, 120V	P-S402097
4	A07012	2	Switch, On/Off	P-S107012
5	A14042	1	Knob	P-S114042
6	A06041	1	Regulating Thermostat	P-S106002
7	A08002	1	Red Pilot Light, 120V	P-S108005
8	A15037	2	Door Handle	P-S115037
9	78006I10	1	Warming Shelf	n/a
10	78008P11	1	Water tray	n/a
11	H01044	2	Door Assembly	n/a
12	H01042	1	Top Plastic Cover Panel	n/a
13	H01043	2	Plastic Side Wall	n/a



MODEL WD-100 WARMING DISPLAY

EQUIPEX, LTD.				
765 Westminster Street, Providence, RI 02903				
tel: (401) 273-3300			fax: (401) 273-3328	
				Toll free: 1-800-649-7885
SODIR Model WD 200 Warming Display (120V/60/1Phase)				
<b>Drawing #</b>	<b>Part Number</b>	<b>Quantity</b>	<b>Description</b>	<b>Old Part Number</b>
1	OEM0011	1	Power Cord, 120V	P-S303001
2	A13009	4	Foot	P-S113009
3	D02001	1	Heating Element, 120V	P-S402097
4	A07012	2	Switch, On/Off	P-S107012
5	A14042	1	Knob	P-S114042
6	A06041	1	Regulating Thermostat	P-S106002
7	A08002	1	Red Pilot Light, 120V	P-S108005
8	A15037	4	Door Handle	P-S115037
9	78006I10	1	Warming Shelf	n/a
10	78008P11	1	Water tray	n/a
11	H01044	4	Door Assembly	n/a
12	H01042	1	Top Plastic Cover Panel	n/a
12	H01037	2	Plastic Side Wall	n/a





MODEL WD-200 WARMING DISPLAY



## LIMITED WARRANTY

Your new EQUIPEX product is warranted to the original purchaser for a period of one year from the date of purchase.

This limited warranty is against defects from original factory imperfections in material and/or workmanship and includes labor for replacement of defective parts, provided repairs are performed by an authorized service agency. Our obligation under this warranty is limited to repairing or replacing any part or parts thereof. The CUSTOMER must inform the Service Agency of warranty coverage and provide a copy of the dated sales or delivery receipt BEFORE WARRANTY REPAIRS BEGIN. Replacement parts and accessories are warranted for ninety (90) days from the date of purchase when purchased separately and will be verified by dated sales receipt or packing slip for that item. All parts or accessories replaced under warranty must be returned to the Service Agency.

This warranty applies only to equipment under normal use and service in the U.S.A. and Canada. It does not apply to any item which has been repaired or altered in any way so as, in the judgement of EQUIPEX, to affect its reliability.

### THE FOLLOWING ARE NOT COVERED UNDER WARRANTY:

1. Damage caused by abuse, misuse, dropping or other similar incidental damage caused by or as a result of customer failure to follow assembly, operating, cleaning, user maintenance or storage instructions.
2. Labor to replace inoperative parts such as bulbs, plugs or racks due to normal use or abuse.
3. Materials or labor to repair scratched, stained, chipped, pitted, dented or discolored surfaces, attachments or accessories.
4. Transportation charges to or from a service agency for repair of your machine. If you should have questions relating to this issue, please call the factory at 1-800-649-7885.
5. Labor charges to install or test attachments or accessories, which are replaced for any reason.
6. SHIPPING DAMAGES. Visible and hidden damages are the responsibility of the freight carrier. The consignee must file the claim promptly against the carrier. KEEP ALL ORIGINAL CONTAINERS AND PACKING MATERIALS FOR CARRIER INSPECTION.
7. Products placed or stored in the equipment are not subject to this warranty and no responsibility is assumed thereof.

**THIS WARRANTY IS GIVEN EXPRESSLY AND IN LIEU OF ALL OTHER WARRANTIES, EXPRESSED OR IMPLIED, FOR MERCHANTABILITY AND FOR FITNESS TOWARD A PARTICULAR PURPOSE AND CONSTITUTES THE ONLY WARRANTY MADE BY EQUIPEX, LTD. IT NEITHER ASSUMES, NOR AUTHORIZES ANY PERSON TO ASSUME FOR US, ANY OTHER LIABILITY IN CONNECTION WITH THE SALE OF THE SUBJECT EQUIPMENT.**

**Please call EQUIPEX for service at 1-800-649-7885**