



Profit from the Eagle Advantage®

Specification Sheet

Short Form Specifications

Eagle Space-Saver Hand Sink, model HSAN-10-F. Overall side-to-side dimension of 12". Constructed of type 304 stainless steel with deep-drawn positive drain narrow sink bowl, basket drain, inverted "V" edge to prevent spillage, and splash mounted gooseneck faucet.

Eagle Space-Saver Hand Sink, model HSAND-10-F. Overall side-to-side dimension of 12". Constructed of type 304 stainless steel with deep-drawn positive drain narrow sink bowl, basket drain, inverted "V" edge to prevent spillage, and deck mounted gooseneck faucet.

Eagle Space-Saver Hand Sink, model HSANT-FS. Overall side-to-side dimension of 12". Constructed of type 304 stainless steel with deep-drawn positive drain narrow sink bowl, basket drain, inverted "V" edge to prevent spillage, gooseneck faucet mounted to 19½"-high backsplash, and stainless steel skirt.



model# HSAN-10-F



model# HSAND-10-F



model# HSANT-FS

EAGLE GROUP
100 Industrial Boulevard, Clayton, DE 19938-8903 USA
Phone: 302-653-3000 • Fax: 302-653-2065
www.eaglegrp.com

Foodservice Division: Phone 800-441-8440
MHC/Retail Display Divisions: Phone 800-637-5100

For custom configuration or fabrication needs, contact our **SpecFAB® Division**.
Phone: 302-653-3000 • Fax: 302-653-3091 • e-mail: specfab@eaglegrp.com

Item No.: _____
Project No.: _____
S.I.S. No.: _____

Space-Saver Hand Sinks

MODELS:

- HSAN-10-F**
- HSAND-10-F**
- HSANT-FS**

Design & Construction Features

- Only 12" (305mm) side-to-side for maximum space efficiency.
- Heavy gauge type 304 18-8 series stainless steel all-welded construction.
- Inverted "V" edge rim retards spillage.
- Unique deep-drawn positive-drain oval bowl assures complete drainage to meet the most stringent health code requirements.
- Three models to choose from: two with splash-mount faucet, and one with deck-mount faucet.

Options / Accessories

- Wrist handle faucet
- P-trap
- Tail piece

Certifications / Approvals



EG20.43 Rev. 07/09

Spec sheets available for viewing, printing or downloading from our online literature library at www.eaglegrp.com

Eagle Foodservice Equipment, Eagle MHC, SpecFAB®, and Retail Display are divisions of Eagle Group. ©2009 by the Eagle Group

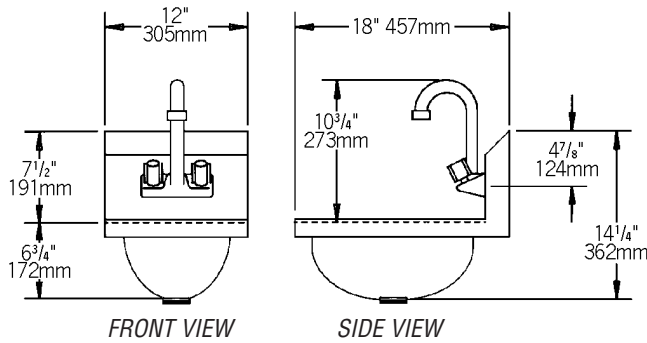


Profit from the Eagle Advantage®

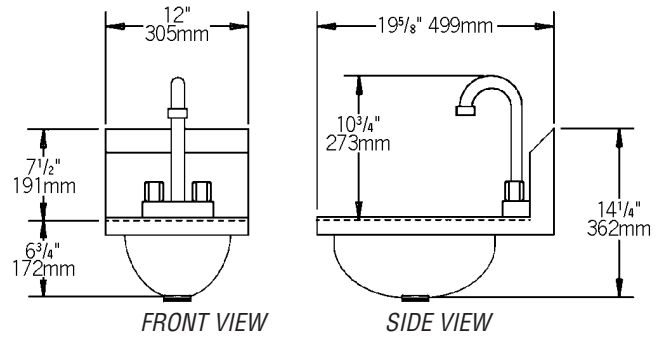
Item No.: _____
 Project No.: _____
 S.I.S. No.: _____

Space-Saver Hand Sinks

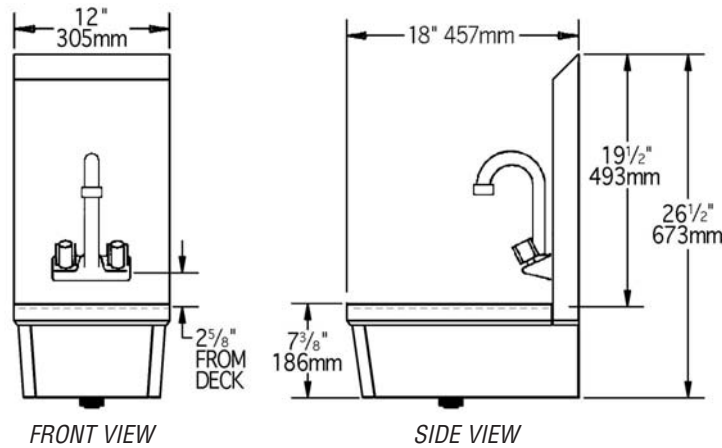
#HSAN-10-F



#HSAND-10-F



#HSANT-FS



model #	includes	bowl size		overall size		weight	
		width in.	length x depth mm	width in.	length x height mm	lbs.	kg
HSAN-10-F	splash mount faucet, basket drain	13 1/2"	9 3/4" x 6 3/4"	343 x 248 x 171	18" x 12" x 14 1/4"	457 x 305 x 362	12 5.2
HSAND-10-F	deck mount faucet, basket drain	13 1/2"	9 3/4" x 6 3/4"	343 x 248 x 171	19 5/8" x 12" x 14 1/4"	498 x 305 x 362	12 5.2
HSANT-FS	splash mount faucet, 19 1/2" (495mm)-high backsplash, skirt, basket drain	13 1/2"	9 3/4" x 6 3/4"	343 x 248 x 171	18" x 12" x 26 1/2"	457 x 305 x 673	13 5.8

EAGLE GROUP
 100 Industrial Boulevard, Clayton, DE 19938-8903 USA
 Phone: 302-653-3000 • Fax: 302-653-2065
 www.eaglegrp.com

Foodservice Division: Phone 800-441-8440
 MHC/Retail Display Divisions: Phone 800-637-5100

Printed in U.S.A.
 ©2009 by Eagle Group

Rev. 07/09

Spec sheets available for viewing, printing or downloading from our online literature library at www.eaglegrp.com

Although every attempt has been made to ensure the accuracy of the information provided, we cannot be held responsible for typographical or printing errors. Information and specifications are subject to change without notice. Please confirm at time of order.