



Profit from the Eagle Advantage®

# Specification Sheet

## Short Form Specifications

Eagle RedHots® Countertop Food Warmer, model \_\_\_\_\_ . Highly polished exterior body, with deep drawn 304 stainless steel heat well. Infinite control with "On" indicator light, wet or dry operation.



#1220FWD-120 food warmer with 12" x 20" well, shown with optional food pan



#11QCW-120 food warmer with round well

## Options / Accessories

- Rolltop cover
- Adapter tops
- Round inset/lids
- Food pans/lids

Item No.: \_\_\_\_\_  
 Project No.: \_\_\_\_\_  
 S.I.S. No.: \_\_\_\_\_

## RedHots® Countertop Food Warmers

### MODELS:

- |                                      |                                      |                                    |
|--------------------------------------|--------------------------------------|------------------------------------|
| <input type="checkbox"/> 1220FWE-120 | <input type="checkbox"/> 1220FW2-208 | <input type="checkbox"/> 11QFW-240 |
| <input type="checkbox"/> 1220FWE-208 | <input type="checkbox"/> 1220FW2-240 | <input type="checkbox"/> 501600    |
| <input type="checkbox"/> 1220FWE-240 | <input type="checkbox"/> 7QFW-120    | <input type="checkbox"/> 501912    |
| <input type="checkbox"/> 1220FWD-120 | <input type="checkbox"/> 7QFW-208    | <input type="checkbox"/> 501913    |
| <input type="checkbox"/> 1220FWD-208 | <input type="checkbox"/> 7QFW-240    | <input type="checkbox"/> 501914    |
| <input type="checkbox"/> 1220FWD-240 | <input type="checkbox"/> 11QFW-120   | <input type="checkbox"/> 501915    |
| <input type="checkbox"/> 1220FW2-120 | <input type="checkbox"/> 11QFW-208   | <input type="checkbox"/> 501585    |

### Design and Construction Features

- 6' cord and 15-amp, 120-volt plug (NEMA 5-15).
- Deep-drawn stainless steel heat well.
- Infinite controls feature "LO" and "HI" settings (plus eight more settings in between) and "ON" indicator light.
- Tubular-style elements for quick response.
- Available in 120-, 208-, and 240-volt models.
- Single-phase, 60-cycle electricity.

### Units with 12" x 20" Wells cULus

- "FWE" models\* have a 750-watt element; "FWD" models have a 1200-watt element; "FW2" models\*\* have an 1800-watt element.
- Heat well openings are 12" x 20" (305 x 508mm), deep-drawn out of 304 series stainless steel, providing either wet or dry operation.

### Units with Round Wells

- Two round well models available to accommodate a 7 qt. (6.6 liter) or an 11 qt. (10.4 liter) round inset.
- All units feature 10 3/4" (273mm) height.

### Warranty

- Backed by a 1-YEAR Parts & Labor Warranty.

\*208V units have 712W element; \*\*240V units have 1900W element.

### To set up for wet operation:

- Fill well so that water (190°F min.) will touch bottom of food pan. Cover well.
- Set control to HI for 45 minutes, then adjust to desired setting for proper food temperature. This will vary per type of food, pans, and individual serving temperature.

## EAGLE GROUP

100 Industrial Boulevard, Clayton, DE 19938-8903 USA

Phone: 302-653-3000 • Fax: 302-653-2065

www.eaglegrp.com

Foodservice Division: Phone 800-441-8440

MHC/Retail Display Divisions: Phone 800-637-5100

For custom configuration or fabrication needs, contact our SpecFAB® Division.

Phone: 302-653-3000 • Fax: 302-653-3091 • e-mail: specfab@eaglegrp.com

## Certifications / Approvals



## AUTOQUOTES



EG35.00 Rev. 05/12

Spec sheets available for viewing, printing or downloading from our online literature library at [www.eaglegrp.com](http://www.eaglegrp.com)

Eagle Foodservice Equipment, Eagle MHC, SpecFAB®, and Retail Display are divisions of Eagle Group. ©2012 by the Eagle Group

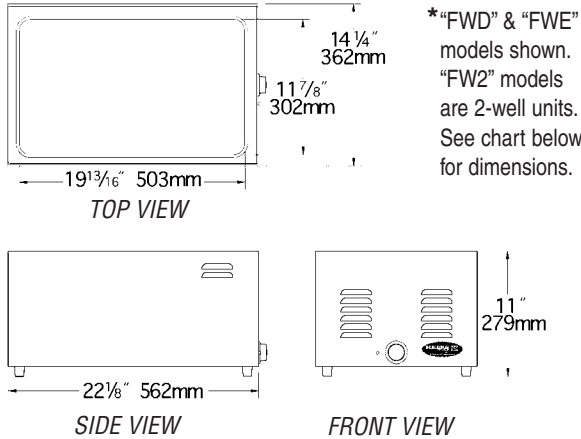


Profit from the Eagle Advantage®

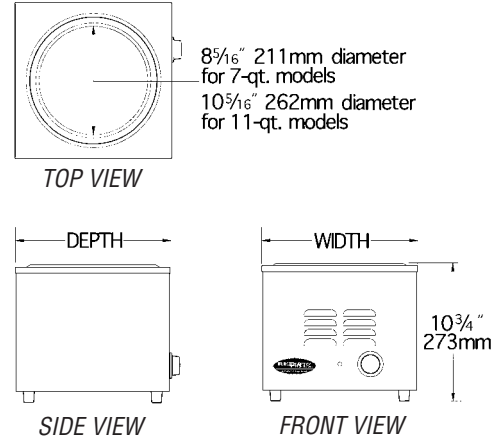
Item No.: \_\_\_\_\_  
 Project No.: \_\_\_\_\_  
 S.I.S. No.: \_\_\_\_\_

# RedHots® Countertop Food Warmers

## Units with 12" x 20" (305 x 508mm) Well\*



## Units with Round Well



## Units with 12" x 20" (305 x 508mm) Wells

Features deep drawn type 304 stainless steel 12" x 20" (305 x 508mm) openings, providing wet or dry operation.

120-VOLT MOdeLs		208-VOLT MOdeLs		240-VOLT MOdeLs		width		depth		weight		# of wells
model #	electrical data	model #	electrical data	model #	electrical data	in.	mm	in.	mm	lbs.	kg	
1220FWE-120	120V, 6.3A, 750W	1220FWE-208	208V, 3.4A, 712W	1220FWE-240	240V, 3.1A, 750W	14 1/4"	362	22 1/8"	562	24	10.9	1
1220FWD-120	120V, 10A, 1200W	1220FWD-208	208V, 5.8A, 1200W	1220FWD-240	240V, 5.0A, 1200W	14 1/4"	362	22 1/8"	562	24	10.9	1
1220FW2-120	120V, 15A, 1800W	1220FW2-208	208V, 8.7A, 1800W	1220FW2-240	240V, 7.9A, 1900W	29 1/16"	741	22 3/16"	573	54	24.5	2

## Units with Round Well

Also known as "soup warmers". Round well holds 7 qts. (6.6 liters) or 11 qts. (10.4 liters) round inset.

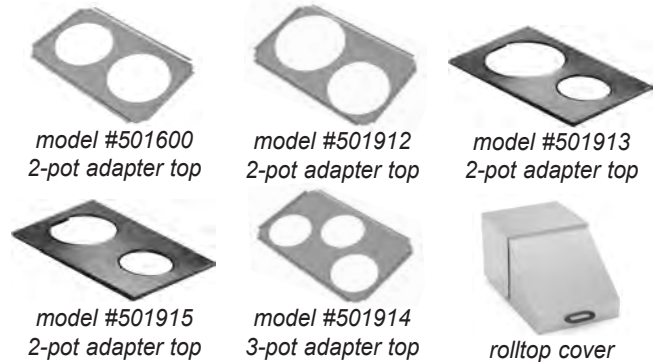
120-VOLT MOdeLs		208-VOLT MOdeLs		240-VOLT MOdeLs		width		depth		weight		capacity	
model #	electrical data	model #	electrical data	model #	electrical data	in.	mm	in.	mm	lbs.	kg	qts.	liters
7QFW-120	120V, 4.6A, 550W	7QFW-208	208V, 2.4A, 495W	7QFW-240	240V, 2.8A, 660W	12"	305	12"	305	18	8.2	7	6.6
11QFW-120	120V, 4.6A, 550W	11QFW-208	208V, 2.4A, 495W	11QFW-240	240V, 2.8A, 660W	14 1/16"	373	16 1/16"	424	20	9.0	11	10.4

## Accessories for RedHots® Countertop Food Warmers

For information on additional accessories, please consult our Foodservice Price List.

### Adapter tops

model #	description
501600	two 8 1/2" (216mm) diameter inserts, each for 7 qts. (6.6 liters)
501912	one 8 1/2" (216mm) diameter insert for 7 qts (6.6 liters), and one 10 1/2" (267mm) diameter insert for 11 qts. (10.4 liters)
501913	one 6 1/2" (165mm) diameter insert for 4 qts (3.8 liters), and one 10 1/2" (267mm) diameter insert for 11 qts. (10.4 liters)
501915	one 6 1/2" (165mm) diameter insert for 4 qts (3.8 liters), and one 8 1/2" (216mm) diameter insert for 7 qts (6.6 liters)
501914	three 6 1/2" (165mm) diameter inserts, each for 4 qts (3.8 liters)



### Rolltop cover

model #	description
501585	13 1/4" width x 20 1/4" length x 11 1/4" height (349 x 527 x 299mm), fits 12" x 20" (305 x 508mm) opening

## EAGLE GROUP

100 Industrial Boulevard, Clayton, DE 19938-8903 USA

Phone: 302-653-3000 • Fax: 302-653-2065

www.eaglegrp.com

Foodservice Division: Phone 800-441-8440

MHC/Retail Display Divisions: Phone 800-637-5100

Printed in U.S.A.

©2012 by Eagle Group

Rev. 05/12

Spec sheets available for viewing, printing or downloading from our online literature library at [www.eaglegrp.com](http://www.eaglegrp.com)

Although every attempt has been made to ensure the accuracy of the information provided, we cannot be held responsible for typographical or printing errors. Information and specifications are subject to change without notice. Please confirm at time of order.