

DIRECT STEAM KETTLES

Project _____
 Item _____
 Quantity _____
 FCSI Section _____
 Approval _____
 Date _____

STAND MOUNTED, DIRECT STEAM

6, 12 or 20 GAL. TILTING, 2/3 STEAM JACKETED (1 or 2 EACH)
 18" HIGH STAND with DRAIN
 450, 650, 1050, 1200 or 1600mm WIDTHS

MODELS: SD-450-K6 SD-1200-K612
 SD-650-K12 SD-1600-K1212
 SD-1050-K20 SD-1800-K2020
 SD-1050-K66

Cleveland Standard Features

- Type 304 Stainless Steel construction, with #4 finish on Kettle
- Factory Assembled Kettle/Stand combinations with available kettle capacities to suit most needs
- Steam Control Kit: includes: Needle Type Steam Control Valve, Steam Trap, Condensate Strainer, Check Valve, Nipples and Fittings, factory assembled and mounted on kettles(s)
- Kettles are Mounted on Stainless Steel Stand of Modular Cabinetized Design
- Hot and Cold Water Faucet with Swing Spout
- Table Top has Full Width Drain Trough equipped with standing 1.50" diameter male Drain Connection
- Sliding drain Catch Pan with Splash Shield, easy to position for use
- Kettles are 2/3 Steam Jacketed and include Lift-Off Covers
- 50 psi Steam Jacket Rating
- 50 psi Chrome Plated Safety Valve
- Manual Tilting, Balanced Design
- Typical approvals include NSF and ASME

Options & Accessories

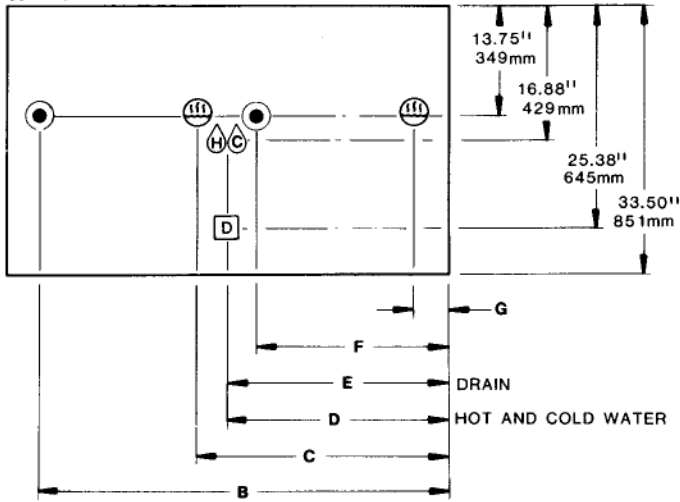
- Type 316 Stainless Steel Kettle Interior for high acid food products (316)
- Cooking Basket (BS)
- Food Strainer (FS)
- Steam Pressure Reducing Valve, where supply exceeds 45 psi (PRV)
- Steam Supply Moisture Separator/Trap (MS)
- Single Pantry Faucet (SPK)
- Wall Meter, wall mount (GM For MLMF)
- Water Cooling, wall mount
- Back Wall or Back Splash (BW-32 or BS-4)
- Self Locking Hand Tilt Mechanism (HTK - 12 gallons only)



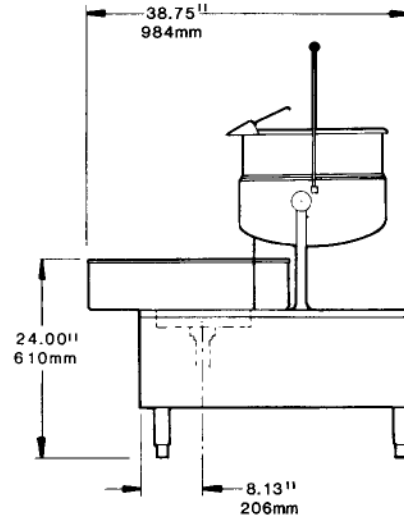
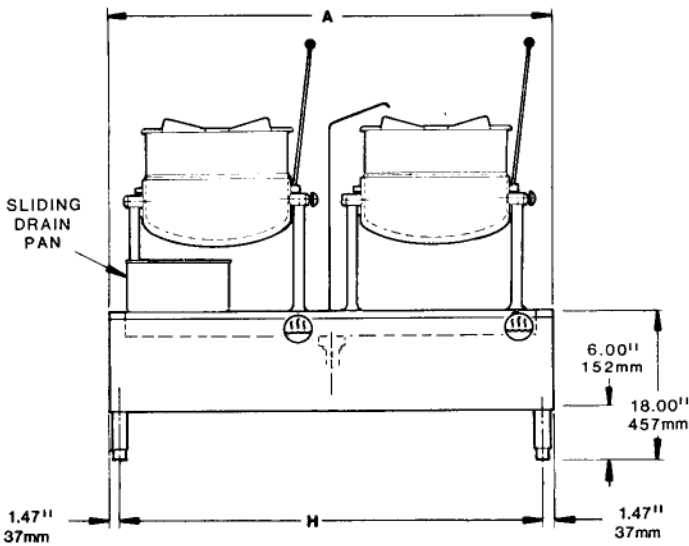
Short Form Specifications

Shall be CLEVELAND, Kettle(s) with Stand, Model SD - ____ - K ____, full width Drain Trough with 1 1/2" male Drain Connection, Sliding Catch Pan and 2/3 Steam Jacketed Kettle(s) ____ ea. ____ Gallon (and ____ ea. ____ Gallon) Steam Jacket Ratings to be 50 psi; Kettle and Legs to be Type 304 Stainless Steel. To operate, connect directly to a steam source supplying from 5 to 45 psi steam. Steam Condensate Trap and Strainer, Factory Assembled and Installed; includes: Hot and Cold Water Faucet with Swing Spout and Lift-Off Kettle Covers.

SERVICE CONNECTIONS DIAGRAM



CAPACITIES: (in 4 oz. servings, other sizes may be calculated.)
 6 Gallon / 23 liters . . . 160 per kettle
 12 Gallon / 45 liters . . . 352 per kettle
 20 Gallon / 80 liters . . . 704 per kettle



| MODEL | | A | B | C | D | E | F | G | H |
|---------------|----------|---------------|---------------|--------------|--------------|--------------|--------------|-------------|---------------|
| SD- 450-K6 | IN mm | 17.72 450 | — | — | — | 8.86 225 | 15.97 406 | 3.97 101 | 14.78 375 |
| SD- 650-K12 | IN mm | 25.59 650 | — | — | — | 12.80 325 | 23.84 606 | 4.34 110 | 22.65 575 |
| SD-1050-K20 | IN mm | 41.34 1050 | — | — | 5.50 140 | 20.67 525 | 23.75 603 | 4.50 114 | 38.40 975 |
| SD-1050-K66 | IN mm | 41.34 1050 | 37.09 942 | 25.09 637 | 20.67 525 | 20.67 525 | 16.25 413 | 4.25 108 | 38.40 975 |
| SD-1200-K612 | IN mm | 47.24 1200 | 43.50 1105 | 31.50 800 | 27.75 705 | 23.62 600 | 24.00 610 | 4.25 108 | 44.30 1125 |
| SD-1600-K1212 | IN mm | 62.99 1600 | 55.50 1410 | 36.00 914 | 31.50 800 | 31.50 800 | 27.00 686 | 7.50 191 | 60.05 1525 |
| SD-1800-K2020 | IN mm | 62.99 1600 | 59.50 1511 | 35.75 908 | 32.00 813 | 31.50 800 | 28.25 718 | 4.50 114 | 60.05 1525 |

| DIRECT STEAM (H) | WATER (H) | DRAIN (D) | CLEARANCE |
|---|---|--|-----------------------------------|
| Steam Inlet: 1/2" IPS minimum line Total Kettle capacity: 20 gallons or less = 1/2" 25 gallons or more = 3/4" Operating Pressure: 5 to 45 psi with a 50 psi Safety Valve CONDENSATE RETURN 1/2" N.P.T. | 3/8" O.D. copper tube or 1/2" NPT pipe | 1 1/2" diameter American Standard straight pipe thread LF. | RIGHT = 0 LEFT = 0 REAR = 0 |

NOTES:

Cleveland Range reserves right of design improvement or modification, as warranted.
 Many regional, state and local codes exist and it is the responsibility of the owner and installer to comply with the codes.
 Installation of backflow preventers, vacuum breakers and other specific code requirements is the responsibility of the owner and installer.
 Cleveland Range equipment is built to comply with applicable standards for manufacturers. Included among those approval agencies are U.L., A.G.A., NSF, ASME/N.Bd., CSA, CGA, ETL and others.

(NOT TO SCALE)
 SECT. X PAGE 8
 0609
 Litho in U.S.A.