

SAFETY SYMBOL



These symbols are intended to alert the user to the presence of important operating and maintenance instructions in the manual accompanying the appliance.

RETAIN THIS MANUAL FOR FUTURE REFERENCE NOTICE

Using any part other than genuine Star factory supplied parts relieves the manufacturer of all liability.

Star reserves the right to change specifications and product design without notice. Such revisions do not entitle the buyer to corresponding changes, improvements, additions or replacements for previously purchased equipment.

Due to periodic changes in designs, methods, procedures, policies and regulations, the specifications contained in this sheet are subject to change without notice. While Star Manufacturing exercises good faith efforts to provide information that is accurate, we are not responsible for errors or omissions in information provided or conclusions reached as a result of using the specifications. By using the information provided, the user assumes all risks in connection with such use.

MAINTENANCE AND REPAIRS

Contact your local authorized service agent for service or required maintenance. Please record the model number, serial number, voltage and purchase date in the area below and have it ready when you call to ensure faster service.

Model No. _____

Serial No. _____

Voltage _____

Purchase Date _____

Authorized Service Agent

Reference the listing provided with the unit

or

for an updated listing go to:

Website: www.star-mfg.com
E-mail Service@star-mfg.com
Telephone: (800) 807-9054 Local (314) 781-2777

The Star Service Help Desk

Business Hours: 8:00 am to 4:30 p.m. Central Standard Time

Telephone: (800) 807-9054 Local (314) 781-2777

Fax: (800) 396-2677 Local (314) 781-2714

E-mail Parts@star-mfg.com
Service@star-mfg.com
Warranty@star-mfg.com

Website: www.star-mfg.com

Mailing Address: Star Manufacturing International Inc.
10 Sunnen Drive
St. Louis, MO 63143
U.S.A

SPECIFICATIONS

5124CD

Type: Infinite Control, 2 Controls, 6.6 KW, 396 sq. in. (2555 sq. cm) Grid Area

Weight: Installed - 98 lb. (45 kg); Shipping - 145 lb. (66 kg)

Dimensions: 24" W x 25 5/8" D x 14 1/4" H
(61cm W x 65cm D x 36cm H)

Volts: 240V, 3 PH Amps: x - 18.8 y - 18.8 z - 11.9
240V, 1 PH Amps: 27.5
208V, 3 PH Amps: x - 21.8 y - 21.8 z - 13.8
208V, 1 PH Amps: 31.8

5136CD

Type: Infinite Control, 3 Controls, 9.9 KW, 594 sq. in (3832 sq. cm) Grid Area

Weight: Installed - 175 lb (80 kg); Shipping - 215 lb. (98 kg)

Dimensions: 36" W x 25 5/8" D x 14 1/4"H
(91 cm W x 65 cm D x 36 cm H)

Volts: 240V, 3 PH Amps: x - 23.9 y - 23.9 z - 23.9
240V, 1 PH Amps: 41.3
208V, 3 PH Amps: x - 27.6 y - 27.6 z - 27.6
208V, 1 PH Amps: 47.6

GENERAL INSTALLATION INSTRUCTIONS



CAUTION

This equipment is designed and sold for commercial use only by personnel trained and experienced in its operation and is not sold for consumer use in and around the home nor for use directly by the general public in food service locations.

Before using your new equipment, read and understand all the instructions & labels associated with the unit prior to putting it into operation. Make sure all people associated with its use understand the units operation & safety before they use the unit.

All shipping containers should be checked for freight damage both visible and concealed. This unit has been tested and carefully packaged to insure delivery of your unit in perfect condition. If equipment is received in damaged condition, either apparent or concealed, a claim must be made with the delivering carrier.

Concealed damage or loss - if damage or loss is not apparent until after equipment is unpacked, a request for inspection of concealed damage must be made with carrier within 15 days. Be certain to retain all contents plus external and internal packaging materials for inspection. The carrier will make an inspection and will supply necessary claim forms.

These Electric Char-broilers are equipped for the voltage and wattage indicated on the nameplate mounted on the front panel. These units are designed to operate on alternating current (AC) only. **DO NOT CONNECT TO DIRECT CURRENT (DC).**

INSTALLATION

The installation of this appliance should conform to the national electric code and local electric codes and ordinances and the local electric company rules and regulations.

For your protection, we recommend that a qualified electrician install this appliance. The electrician should be familiar with electrical installations and local electrical requirements. The external wiring should be in conduit or an approved type of flexible cable suitable for operation at 90° C and sized to carry the load. Use copper wire only. The supply circuit should be properly fused and equipped with a means of disconnecting as required by local electrical code. The body of the appliance should be grounded **(Do not ground to a gas supply pipe).**

1. Locate the unit: Do not install the unit closer than 12 inches from a side wall and/or closer than 9 inches from a rear wall.
2. Level the char-broiler by adjusting the feet, which have provision for 1 inch of adjustment. This adjustment also allows a perfect alignment to be achieved with other Star-Max™ units.
3. The pigtail leads can be accessed by removing the cover plate from the back of the broiler.
4. Fill the water pan on the broiler prior to use. Water should be flush with the bottom of the splash baffles. Make sure water is present in the pan at all times.

Note: The pan is easily removable for cleaning.



CAUTION

CARE MUST BE TAKEN WHEN OPENING PAN TO PREVENT SPILLING.

5. The charbroiler is equipped with modular grates that are readily removable for cleaning. Each heated section is controlled by a separate heat control switch.
6. Seasoning - Set the heat control switch to the low position and preheat for about 15 to 20 minutes. Using a cloth, spread a thin film of cooking oil over the top of the grate surface. Allow the film to remain on the grate for about 5 minutes. Wipe the surface clean and apply another film of cooking oil. Wipe the surface clean again. The broiler is now ready for use. The oil may tend to smoke - this is normal.
7. Approximate grilling temperatures range from 350° F (with no product on the grill) on low setting to 570° F on high.

CLEANING

1. Clean with a clean soft cloth daily. Any discoloration can be removed with a non-abrasive cleaner.
2. Remove the water pan and cooking grates. Wash them in a sink.
3. To clean heating element, first remove the grates. Swing the element housing to a vertical position and lock it in place with the support located in the center. Clean the elements with a stiff wire brush or equivalent.
4. Heat baffles are located directly below the heating elements and are removable for cleaning in a sink.

THOROUGHLY INSPECT YOUR UNIT ON ARRIVAL

This unit has been tested for proper operation before leaving our plant to insure delivery of your unit in perfect condition. However, there are instances in which the unit may be damaged in transit. In the event you discover any type of damage to your product upon receipt, you must immediately contact the transportation company who delivered the item to you and initiate your claim with same. If this procedure is not followed, it may affect the warranty status of the unit.

LIMITED EQUIPMENT WARRANTY

All workmanship and material in Star products have a one (1) year limited warranty on parts & labor in the United States and Canada. Such warranty is limited to the original purchaser only and shall be effective from the date the equipment is placed in service. Star's obligation under this warranty is limited to the repair of defects without charge, by the factory authorized service agency or one of its sub-agencies. Models that are considered portable (*see below*) should be taken to the closest Star service agency, transportation prepaid.

- > Star will not assume any responsibility for loss of revenue.
- > On all shipments outside the United States and Canada, see International Warranty.
- * The warranty period for the JetStar six (6) ounce & Super JetStar eight (8) ounce series popcorn machines is two (2) years.
- * The warranty period for the Chrome-Max Griddles is five (5) years on the griddle surface. See detailed warranty provided with unit.
- * The warranty period for Teflon/Dura-Tec coatings is one year under normal use and reasonable care. This warranty does not apply if damage occurs to Teflon/Dura-Tec coatings from improper cleaning, maintenance, use of metallic utensils, or abrasive cleaners. This warranty does not apply to the "non-stick" properties of such materials.
- > This warranty does not apply to "Special Products" but to regular catalog items only. Star's warranty on "Special Products" is six (6) months on parts and ninety (90) days on labor.
- > This warranty does not apply to any item that is disassembled or tampered with for any purpose other than repair by a Star Authorized Service Center or the Service Center's sub-agency.
- > This warranty does not apply if damage occurs from improper installation, misuse, wrong voltage, wrong gas or operated contrary to the Installation and Operating instructions.
- > This warranty is not valid on Conveyor Ovens *unless* a "start-up/check-out" has been performed by a Factory Authorized Technician.

PARTS WARRANTY

Parts that are sold to repair out of warranty equipment are warranted for ninety (90) days. The part only is warranted. Labor to replace the part is chargeable to the customer.

SERVICES NOT COVERED BY WARRANTY

- | | |
|--|---|
| 1. Travel time and mileage rendered beyond the 50 mile radius limit | 10. Voltage conversions |
| 2. Mileage and travel time on portable equipment (<i>see below</i>) | 11. Gas conversions |
| 3. Labor to replace such items that can be replaced easily during a daily cleaning routine, ie; removable kettles on fryers, knobs, grease drawers on griddles, etc. | 12. Pilot light adjustment |
| 4. Installation of equipment | 13. Miscellaneous adjustments |
| 5. Damages due to improper installation | 14. Thermostat calibration and by-pass adjustment |
| 6. Damages from abuse or misuse | 15. Resetting of circuit breakers or safety controls or reset buttons |
| 7. Operated contrary to the Operating and Installation Instructions | 16. Replacement of bulbs |
| 8. Cleaning of equipment | 17. Replacement of fuses |
| 9. Seasoning of griddle plates | 18. Repair of damage created during transit, delivery, & installation OR created by acts of God |

PORTABLE EQUIPMENT

Star will not honor service bills that include travel time and mileage charges for servicing any products considered "Portable" including items listed below. These products should be taken to the Service Agency for repair:

- * The Model 510FD Fryer.
- * The Model J4R, 4 oz. Popcorn Machine.
- * The Model 518CMA & 526CMA Cheese Melter.
- * The Model 12MC & 15MC & 18MCP Hot Food Merchandisers.
- * The Model 12NCPW & 15NCPW Nacho Chip/Popcorn Warmer.
- * All Hot Dog Equipment **except Roller Grills & Drawer Bun Warmers.**
- * All Nacho Cheese Warmers **except Model 11WLA Series Nacho Cheese Warmer.**
- * All Condiment Dispensers **except the Model HPDE, & SPDE Series Dispenser.**
- * All Specialty Food Warmers **except Model 130R, 11RW Series, and 11WSA Series.**
- * All QCS/RCS Series Toasters **except Model QCS3 & RCS3 Series.**

ALL:

- * Pop-Up Toasters
- * Butter Dispensers
- * Pretzel Merchandisers
- * Pastry Display Cabinets
- * Nacho Chip Merchandisers
- * Accessories of any kind
- * Sneeze Guards
- * Pizza Ovens
- * Heat Lamps
- * Pumps

The foregoing warranty is in lieu of any and all other warranties expressed or implied and constitutes the entire warranty.

FOR ASSISTANCE

Should you need any assistance regarding the Operation or Maintenance of any Star equipment; write, phone, fax or email our Service Department. In all correspondence mention the Model number and the Serial number of your unit, and the voltage or type of gas you are using.



STAR MANUFACTURING INTERNATIONAL INC.
#10 SUNNEN DRIVE, ST. LOUIS, MO. 63143, USA

DR. TH CK. DATE 2-20-03
TOLERANCES UNLESS OTHERWISE NOTED
FRACTIONS ± 1/64 DECIMALS ± .005

MATERIAL

~

FINISH

~
THIS DRAWING CONTAINS INFORMATION CONFIDENTIAL TO STAR MFG. INT'L. INC.
NO REPRODUCTION OR DISCLOSURE OF ITS CONTENTS IS PERMITTED.

MODEL NO.

5124CD

PART NO.

SK-1924

TITLE

WIRING DIAGRAM

REVISIONS

LTR

DATE

DESCRIPTION OF CHANGE

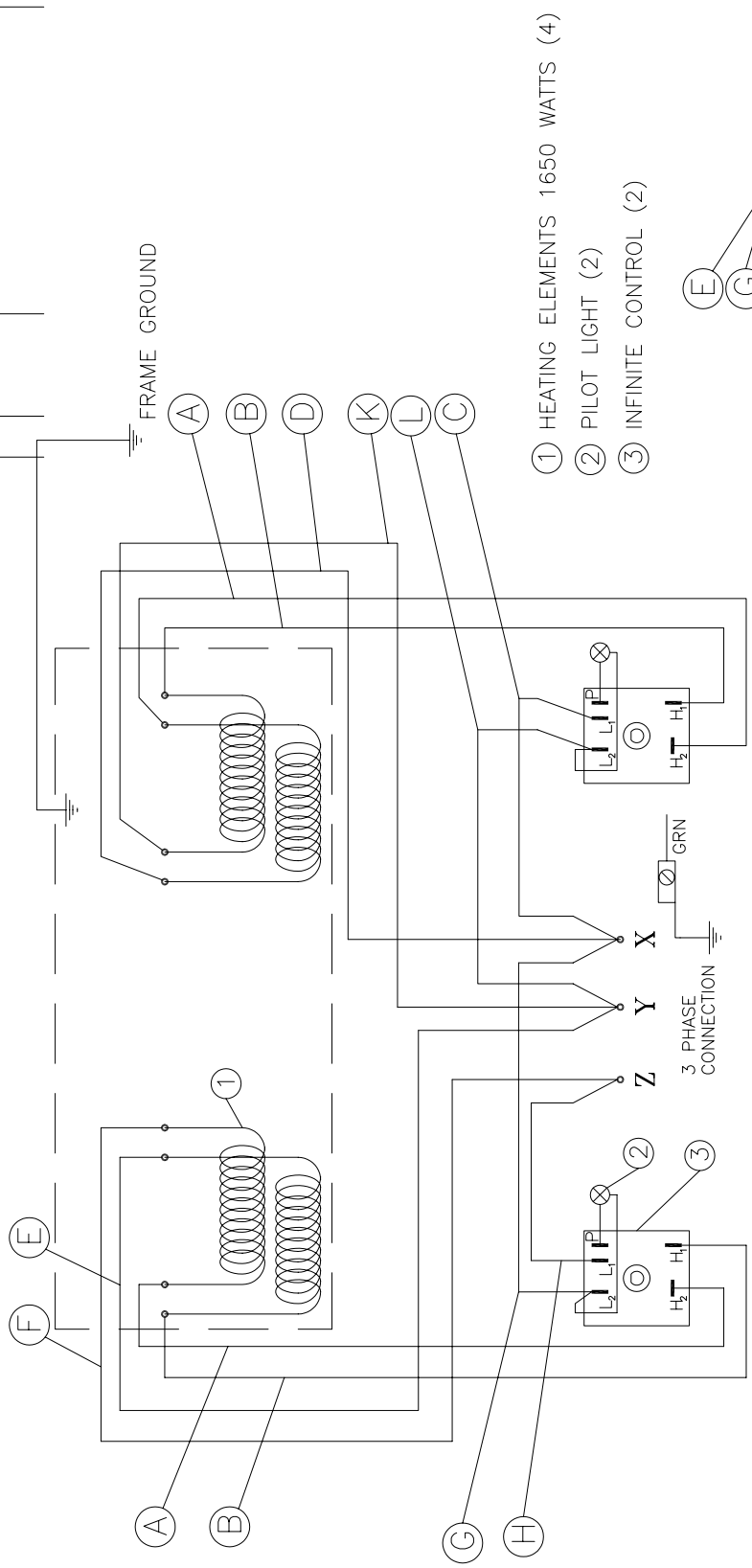
A

5-8-03

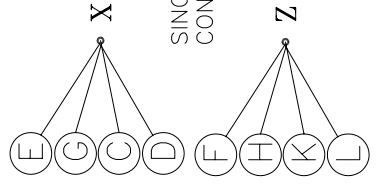
PICTORIAL CHANGE

DR

TH



- ① HEATING ELEMENTS 1650 WATTS (4)
- ② PILOT LIGHT (2)
- ③ INFINITE CONTROL (2)



INTERNAL WIRES: 14GA AWG

FOR SUPPLY CONNECTIONS USE COPPER WIRE ONLY 90°C

| RATED WATTAGE 6600W | 3 PHASE LOADING KW PER PHASE | | NOMINAL AMPERES PER LINE | | | | | | | |
|--|---------------------------------|------|--------------------------|----------|-----------|----------|--------------|----------|---------|---------|
| | X-Y | Y-Z | 208V 3 PH | | 240V 3 PH | | SINGLE PHASE | | | |
| | 3.3 | 1.65 | X | Y | Z | X | Y | Z | 208V | 240V |
| | | | 21.8 | 21.8 | 13.8 | 18.8 | 18.8 | 11.9 | 31.8 | 27.5 |
| FOR SUPPLY CONNECTIONS USE GA SHOWN OR LARGER | | | AWG # 10 | AWG # 10 | AWG # 12 | AWG # 10 | AWG # 10 | AWG # 12 | AWG # 8 | AWG # 8 |

STAR STAR MANUFACTURING INTERNATIONAL INC.
#10 SUMMEN DRIVE, ST. LOUIS, MO. 63143, USA

MATERIAL

MODEL NO. 5136CD

PART NO. SK1985

FINISH

TITLE **WIRING DIAGRAM**

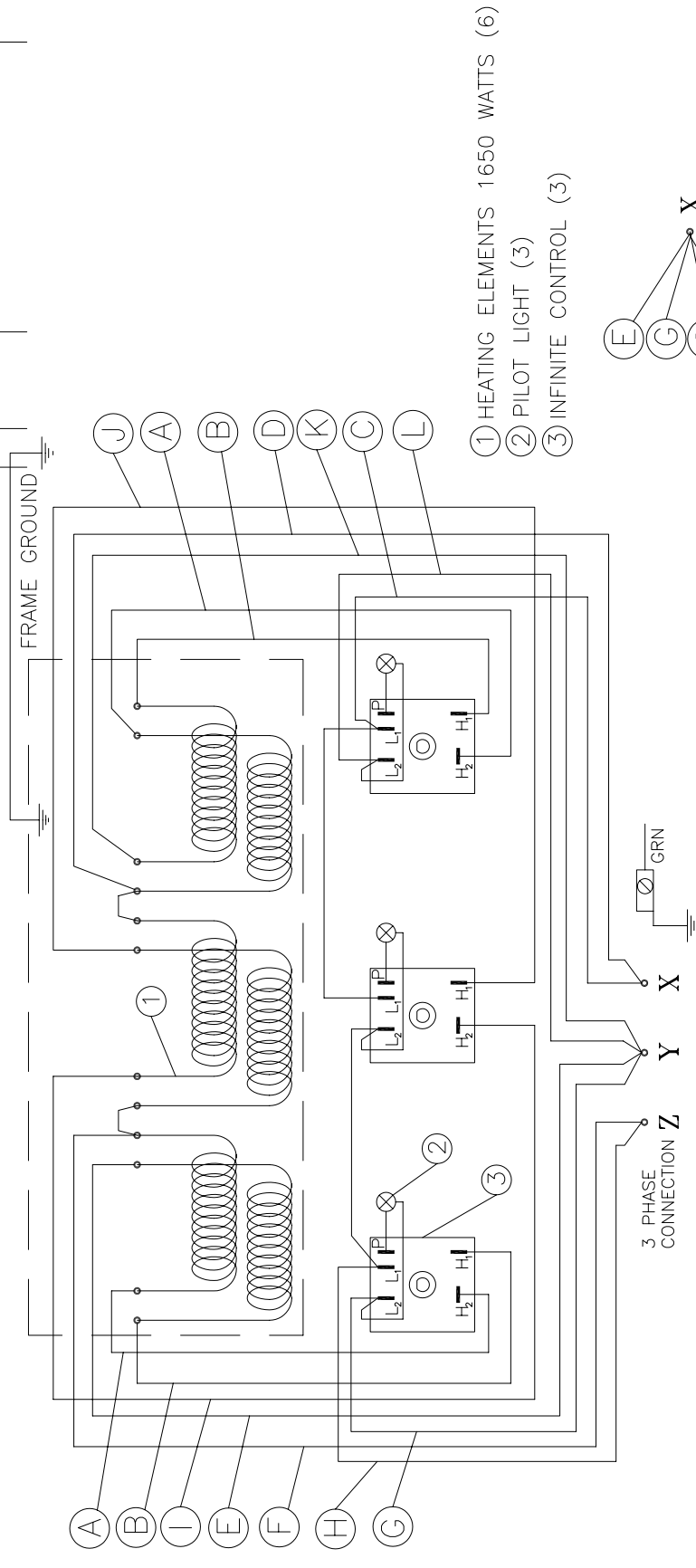
DR. TH CK. DATE 4-9-03

REVISIONS LTR DATE DESCRIPTION OF CHANGE DR

TOLERANCES UNLESS OTHERWISE NOTED
FRACTIONS ± 1/64 DECIMALS ± .005

THIS DRAWING CONTAINS INFORMATION CONFIDENTIAL TO STAR MFG. INT'L. INC.
NO REPRODUCTION OR DISCLOSURE OF ITS CONTENTS IS PERMITTED.

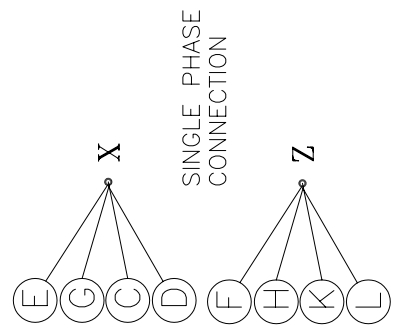
A 5-8-03 PICTORIAL CHANGE TH

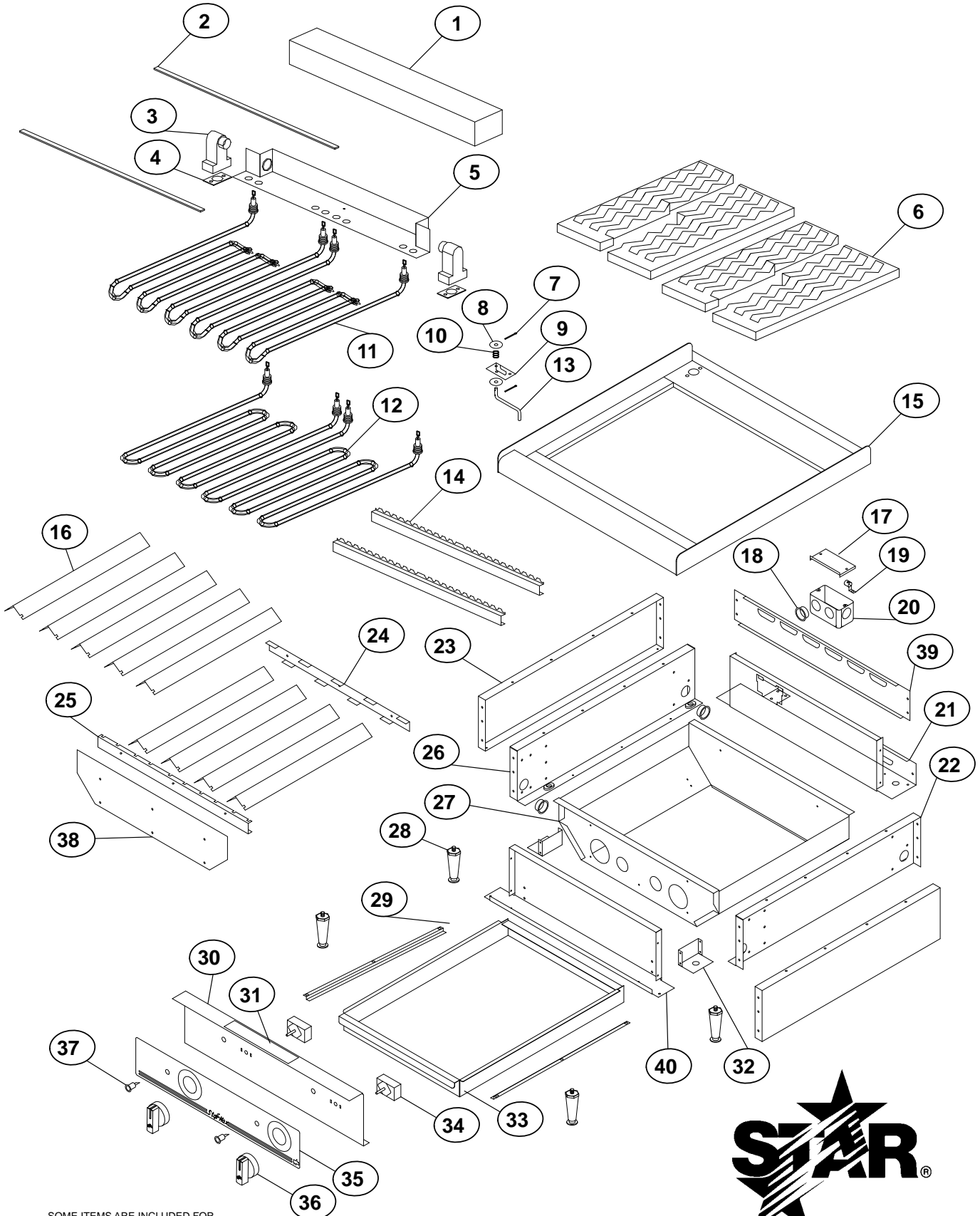


INTERNAL WIRES: D, C, F & H - 12GA AWG
ALL OTHERS: 14GA AWG

FOR SUPPLY CONNECTIONS USE COPPER WIRE ONLY 90°C

| RATED WATTAGE 9900W | 3 PHASE LOADING KW PER PHASE | | | NOMINAL AMPERES PER LINE | | | | | | | |
|------------------------|---------------------------------|-----|-----|--------------------------|---------|-----------|----------|--------------|----------|---------|---------|
| | X-Y | Y-Z | X-Z | 208V 3 PH | | 240V 3 PH | | SINGLE PHASE | | | |
| 3.3 | 3.3 | 3.3 | 3.3 | X | Y | Z | X | Y | Z | 208V | 240V |
| | | | | 27.6 | 27.6 | 27.6 | 23.9 | 23.9 | 23.9 | 47.6 | 41.3 |
| | | | | AWG # 8 | AWG # 8 | AWG # 8 | AWG # 10 | AWG # 10 | AWG # 10 | AWG # 4 | AWG # 6 |





SOME ITEMS ARE INCLUDED FOR ILLUSTRATIVE PURPOSES ONLY AND IN CERTAIN INSTANCES MAY NOT BE AVAILABLE

MODEL - 5124CD

STAR MANUFACTURING INTERNATIONAL, INC.

SK1983

REV. A

5/8/03

PARTS LIST

December 27, 2005, Rev. C

MODELS 5124CD and 5136CD Electric Counter Char-Broilers

| Key Number | Part Number | Number Per Unit | Description and Model Designation |
|------------|-------------|-----------------|---|
| 1 | H1-Z6117 | 1 | ELEMENT HOUSING COVER 5124CD |
| | H1-Z6118 | 1 | ELEMENT HOUSING COVER 5136CD |
| 2 | H1-Y3115 | 2 | ELEMENT STRAP 5124CD |
| | H1-Y3266 | 2 | ELEMENT STRAP 5136CD |
| 3 | 2F-Z6858 | 2 | SUPPORT WITH BUSHING |
| 4 | 2I-7370 | 2 | GASKET |
| 5 | H1-Z6115 | 1 | ELEMENT HOUSING 5124CD |
| | H1-Z6116 | 1 | ELEMENT HOUSING 5136CD |
| 6 | 2F-Y3107 | 4 | TOP GRATE 5124CD |
| | 2F-Y3107 | 6 | TOP GRATE 5136CD |
| 7 | 2A-5401 | 2 | COTTER PIN |
| 8 | 2C-1811 | 2 | WASHER |
| 9 | H1-Z6122 | 1 | PROP ROD BRACKET |
| 10 | 2P-7969 | 1 | SPRING |
| 11 | 2N-Y3083 | 2/3 | HEATING ELEMENT BENT 240V 5124CD / 5136CD |
| | 2N-Y3084 | 2/3 | HEATING ELEMENT BENT 208V 5124CD / 5136CD |
| 12 | 2N-Y3085 | 2/3 | HEATING ELEMENT 240V 5124CD / 5136CD |
| | 2N-Y3086 | 2/3 | HEATING ELEMENT 208V 5124CD / 5136CD |
| 13 | 2A-Z6121 | 1 | PROP ROD |
| 14 | H1-Z6119 | 2 | ELEMENT CLAMP 5124CD |
| | H1-Z6120 | 2 | ELEMENT CLAMP 5136CD |
| 15 | 512400 | 1 | TOP ASSEMBLY 5124CD |
| | 513600 | 1 | TOP ASSEMBLY 5136CD |
| 16 | H1-Z6086 | 9 | BAFFLE 5124CD |
| | H1-Z6086 | 15 | BAFFLE 5136CD |
| 17 | G3-Y7788 | 1 | BOX COVER |
| 18 | 2K-Z6183 | 3 | BUSHING 5124CD |
| | 2K-Z6183 | 5 | BUSHING 5136CD |
| 19 | 2C-Y2344 | 1 | GROUND LUG |
| 20 | 2E-Y7327 | 1 | ELECTRICAL BOX |
| 21 | H1-Z6059 | 1 | REAR ENCLOSURE 5124CD |
| | H1-Z6060 | 1 | REAR ENCLOSURE 5136CD |
| 22 | G3-624303 | 1 | SIDE LINER ASSEMBLY RIGHT |
| 23 | G3-Z5945 | 2 | SIDE PANEL |
| 24 | H1-Z6173 | 1 | BAFFLE FRAME REAR 5124CD |
| | H1-Z6085 | 1 | BAFFLE FRAME REAR 5136CD |
| 25 | H1-Z6084 | 1 | BAFFLE FRAME FRONT 5124CD |
| | H1-Z6533 | 1 | BAFFLE FRAME FRONT 5136CD |
| 26 | G3-624302 | 1 | SIDE LINER ASSEMBLY LEFT |
| 27 | H3-612400 | 1 | LINER ASSEMBLY 5124CD |
| | H3-613600 | 1 | LINER ASSEMBLY 5136CD |
| 28 | 2A-Z5942 | 4 | FOOT |
| 29 | G3-Z6036 | 2 | DRAWER SLIDE |
| 30 | G3-Z5911 | 1 | FRONT PANEL 5124CD |
| | G3-Z5921 | 1 | FRONT PANEL 5136CD |
| 31 | VARIOUS | 1 | NAMEPLATE |
| 32 | H1-Z6123 | 2 | FOOT SUPPORT |
| 33 | H3-Z6482 | 1 | GREASE DRAWER 5124CD |
| | H3-Z6483 | 1 | GREASE DRAWER 5136CD |
| 34 | 2J-6403 | 2/3 | INFINITE CONTROL 5124CD / 5136CD |
| 35 | 2M-Z6038 | 1 | GRAPHIC PANEL 5124CD |
| | 2M-Z6040 | 1 | GRAPHIC PANEL 5136CD |

**IMPORTANT: WHEN ORDERING, SPECIFY VOLTAGE OR TYPE GAS DESIRED
INCLUDE MODEL AND SERIAL NUMBER**

PAGE 1
OF 2

Some items are included for illustrative purposes only and in certain instances may not be available.



Star Manufacturing International, Inc.

PARTS LIST

December 27, 2005, Rev C

MODELS 5124CD and 5136CD Electric Counter Char-Broilers

| Key Number | Part Number | Number Per Unit | Description and Model Designation | |
|------------|-------------|-----------------|-----------------------------------|-----------------|
| 36 | 2R-Z3436 | 2/3 | KNOB | 5124CD / 5136CD |
| 37 | 2J-Y6690 | 2/3 | PILOT LIGHT | 5124CD / 5136CD |
| 38 | H1-Z6082 | 1 | LINER COVER | 5124CD |
| | H1-Z6083 | 1 | LINER COVER | 5136CD |
| 39 | H1-Z6054 | 1 | REAR PANEL | 5124CD |
| | H1-Z6056 | 1 | REAR PANEL | 5136CD |
| 40 | H1-Z6059 | 1 | FRONT ENCLOSURE | 5124CD |
| | H1-Z6060 | 1 | FRONT ENCLOSURE | 5136CD |
| NA | 2E-Z6113 | 1 | WIRE SET | 5124CD |
| | 2E-Z6114 | 1 | WIRE SET | 5136CD |

**IMPORTANT: WHEN ORDERING, SPECIFY VOLTAGE OR TYPE GAS DESIRED
INCLUDE MODEL AND SERIAL NUMBER**

PAGE 2
OF 2

Some items are included for illustrative purposes only and in certain instances may not be available.



Star Manufacturing International, Inc.

STAR MANUFACTURING

10 Sunnen Drive, St. Louis, MO 63143 U.S.A.

(800) 807-9054 (314) 781-2777

Parts & Service (800) 807-9054

www.star-mfg.com