

Adjustable Tray and Dish Cart

Model TDC30

Features & Benefits



- Stores and transports both plates and trays. Adjustable dividers are easy to adjust and allow for numerous configurations to meet a variety of storage needs.
- Storage capacity:
 - Approx. 500 lbs. (227 Kg)
 - Approx. 80 each 14" x 18" (35,6 x 46 cm) trays per column
 - Approx. 45-60 plates per column
- One-piece, seamless, double-wall, high-density polyethylene construction. Won't rust, peel, chip, crack or corrode.
- Foamed in-place polyurethane core adds structural strength and reduces noise.
- Impact resistant and shock absorbent to protect valuable plates against breakage and chipped edges.
- Molded-in handles on both sides for sturdy and controlled handling. Will not bend or break.
- Four each 6" (15,24 cm) swivel casters, 2 w/ brakes, ensures easy maneuvering across floors or carpet.
- Vinyl cover included for sanitary storage. (Cover is not NSF listed.)
- No assembly required.
- Available in 7 colors.

Item No. _____

Specifier Identification No. _____

Model No. _____

Quantity _____



TDC30



Adjustable Tray and Dish Cart with Vinyl Cover



Handles on the back of the cart can be twisted easily to loosen the dividers.



Dividers fit into grooves built into the base and back of the cart for added stability.

Approvals



Adjustable Tray and Dish Cart

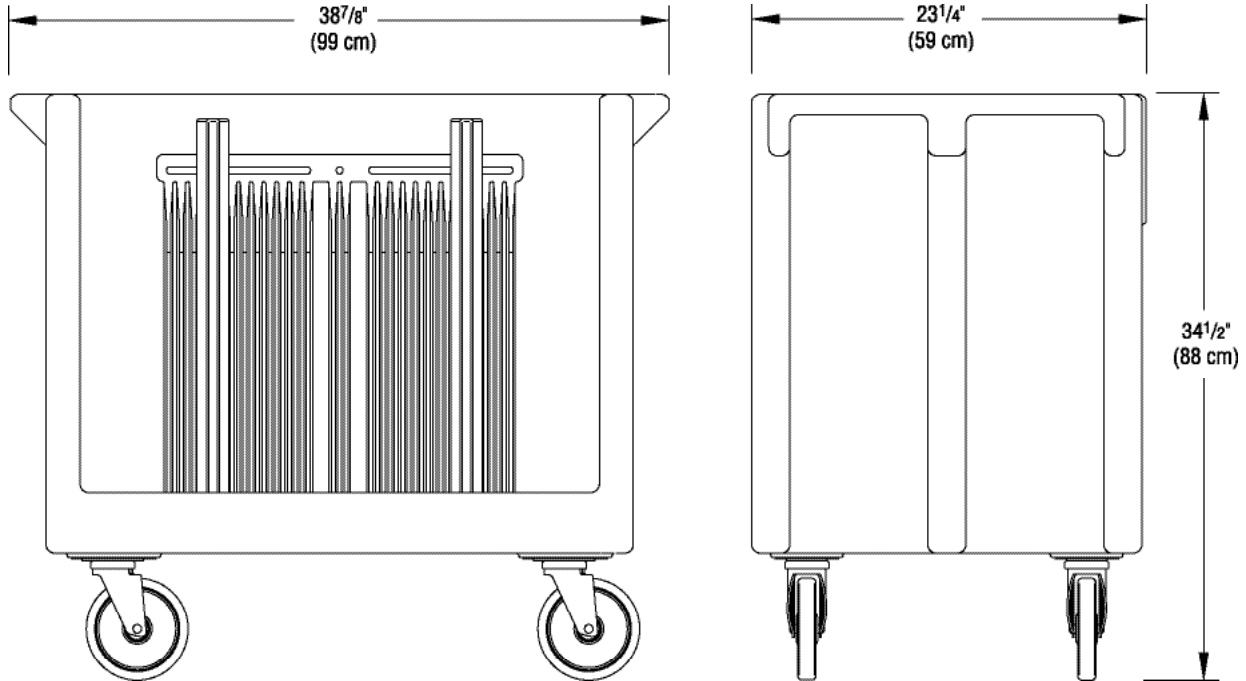
Model TDC30

Item No. _____

Specifier Identification No. _____

Model No. _____

Quantity _____



Specifications

Dimension Tolerance: +/- 1/4" (0,64 cm)

Code	Description	Max. Plate Stacking Height Per Column	Max. Tray Stacking Height Per Column	Max. Load Capacity	Exterior Dimensions L x W x H	Case lbs./cube Kg/m ³
TDC30	Adjustable Tray and Dish Cart with 2 Dividers	45-60 plates	80 each 14" x 18" Trays (36 x 46 cm)	500 lbs. (227 Kg.)	38 7/8" x 23 1/4" x 34 1/2" (99 x 59 x 88 cm)	81 (19.44) 37 (0,55)

Optional Accessories

- Replacement Cover TDC30C (1 included with cart)
 Replacement Divider TDC30D (2 included with cart)

Standard Colors

- Black (110) Dark Brown (131) Coffee Beige (157)
 Gray (180) Granite Gray (191) Granite Green (192)
 Slate Blue (401)

Architect Specs

The Adjustable Tray and Dish Cart shall be Model TDC30, manufactured by Cambro Mfg. Co., Huntington Beach, CA 92648 U.S.A. It shall be made of one-piece, seamless, double-wall, high-density, polyethylene and shall be injected with polyurethane foam. It shall have rounded corners and molded-in handles. It shall have 2 each adjustable dividers with easy to twist handles. It shall offer stacking capacity of approx. 80 each 14" x 18" (35,6 x 46 cm) trays or 45 - 60 each plates per column. It shall have a load capacity of 500 lbs. (227 Kg.). It shall have 4 each 6" (15,24 cm) swivel casters 2 w/ brakes. It shall have a vinyl cover that is not NSF listed. It shall require no assembly. It shall be available in 7 colors.

Approvals



© 2008 Cambro Manufacturing Company 5801 Skylab Road, Huntington Beach, California 92647-2056-U.S.A.
 Telephone (1)714 848 1555 Toll Free 800 854 7631 Customer Service 800 833 3003 Printed in USA