



BGU8000 UPRIGHT PARTS LIST

100 Armstrong Road - Suite 101 - Plymouth, MA 02360
 (800) 242-1378 Fax (877) 672-4566

Revised 8/15/14

Diagram Number	Item Number	Description	
1	U8000-1	Handle Tube Assembly Complete	
1-1	U8000-1-1	Top Handle Grip-R	
1-2	U8000-1-2	Upper Cord Hook	
1-3	U8000-1-3	Power Cord	
1-4	U8000-1-4	ON/OFF switch	
1-5	U8000-1-5	Upper Tube	
1-6	U8000-1-6	Handle Screws	
2	U8000-2	Upper Collar	
3	U8000-3	Carry Handle	
4	U8000-4	Outer Cloth Bag	
5	U8000-5	Bag Retaining Clip	
6	U8000-PK10	Disposable Paper Bag 10 Pack	
6	U8000-PK25	Disposable Paper Bag 25 Pack	
7	U8000-7	O ring	
8	U8000-8	Lower Retaining Collar	
9	U8000-9	Lower Tube Assembly	
10	U8000-10	Housing Assembly	
11	U8000-11	Belt Cover	
12	U8000-12	Strain Relief Bushing	
13	U8000-13	Exhaust Foam	
14	U8000-BELT	Belt	
15	U8000-15	Motor Assembly	
15-1	U8000-15-1	Motor Nut	
15-2	U8000-15-2	External Tooth Washer	
15-3	U8000-15-3	Fan	
15-4	U8000-15-4	Washer	
15-5	U8000-15-5	Motor Cover	
15-6	U8000-15-6	Motor Gasket	
15-7	U8000-15-7	Motor	
16	U8000-16	Fan Housing / Air Duct / Swivel	
17	U8000-17	Inlet Duct Gasket	
18	U8000-18	Inlet Duct	
19	U8000-19	Brush Roller	
20	U8000-20	Furniture Guard Bumper	
21	U8000-21	Base Plate Complete	
21-1	U8000-21-1	Base Plate	
21-2	U8000-21-2	Rear Wheel with Oil Bearing	
21-3	U8000-21-3	Rear Wheel Shaft	
21-4	U8000-21-4	Ear Wheel Shaft Locking Screw	
21-5	U8000-21-5	Side Brush Screw	



BGU8000 UPRIGHT PARTS LIST

100 Armstrong Road - Suite 101 - Plymouth, MA 02360
(800) 242-1378 Fax (877) 672-4566

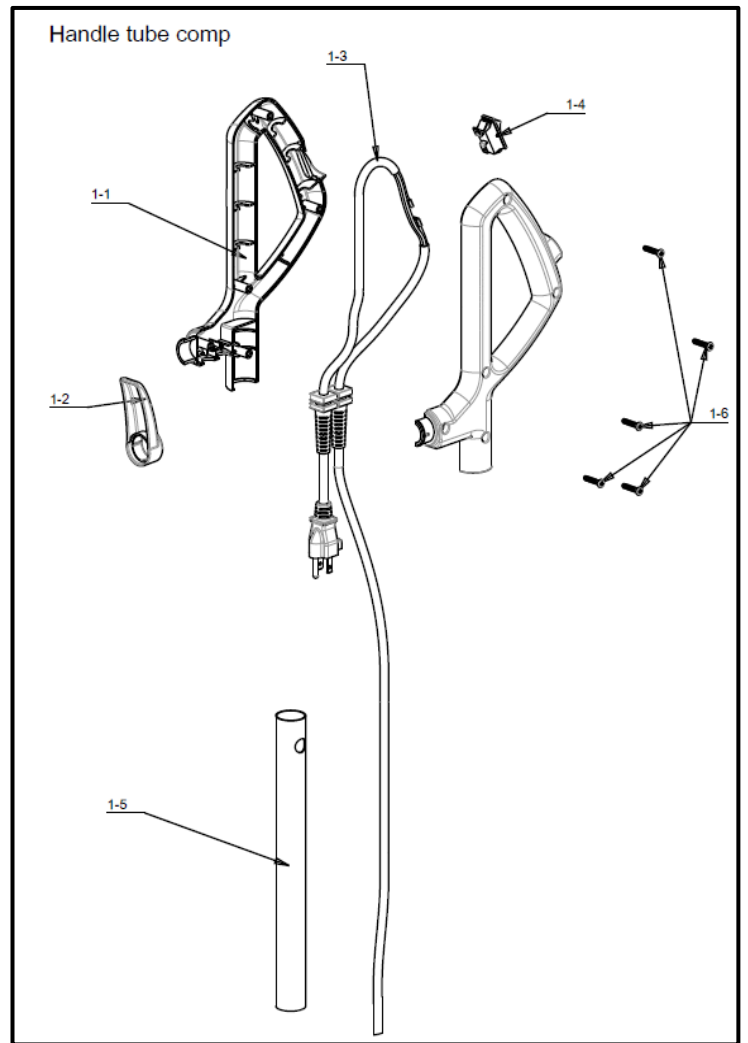
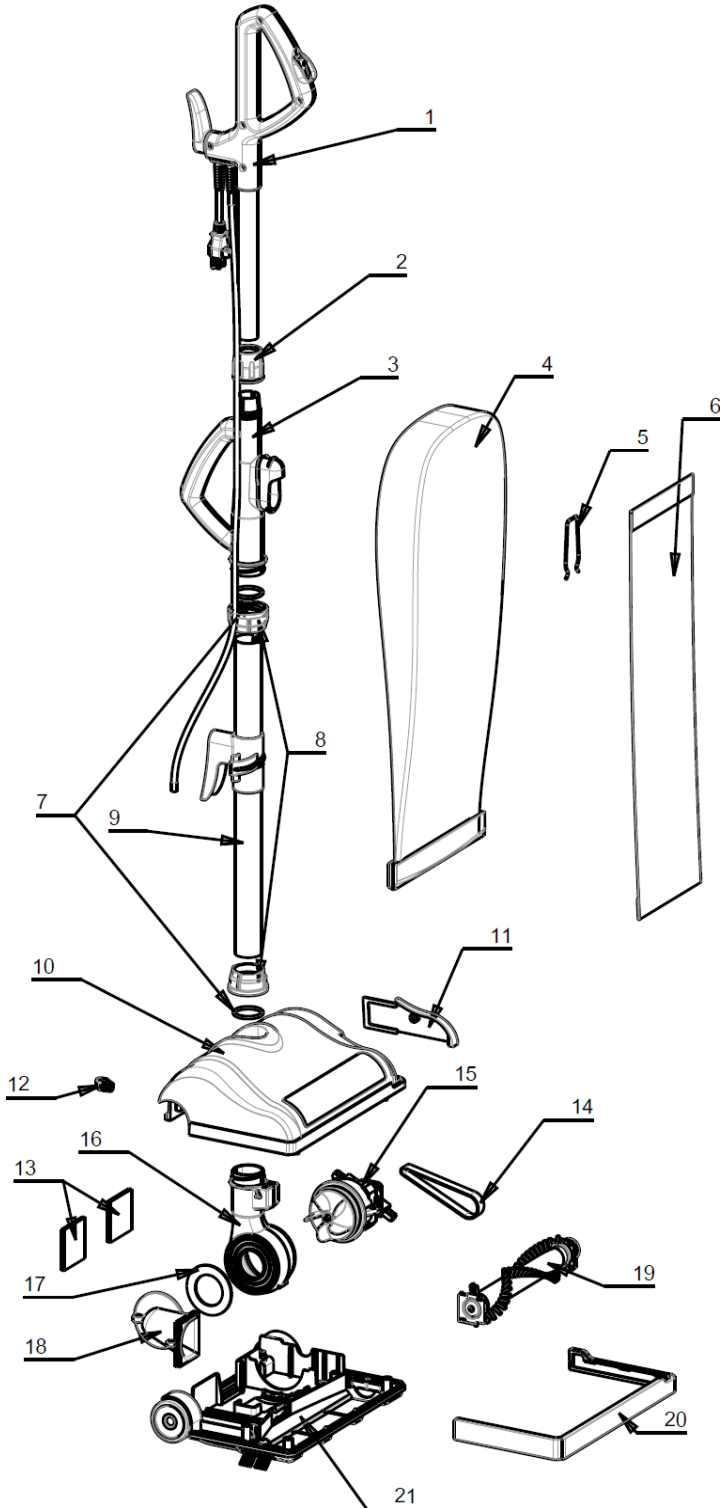
Revised 8/15/14

Diagram Number	Item Number	Description	
21-6	U8000-21-6	Side Brush	
21-7	U8000-21-7	Front Roller with Shaft	
21-8	U8000-21-8	Rubber Blade	
21-9	U8000-21-9	Bottom Metal Plate	
21-10	U8000-21-10	Support Frame	
21-11	U8000-21-11	Shrapnel	
21-12	U8000-21-12	Shrapnel screw	

BGU8000 UPRIGHT PARTS LIST

100 Armstrong Road - Suite 101 - Plymouth, MA 02360
 (800) 242-1378 Fax (877) 672-4566

Revised 8/15/14

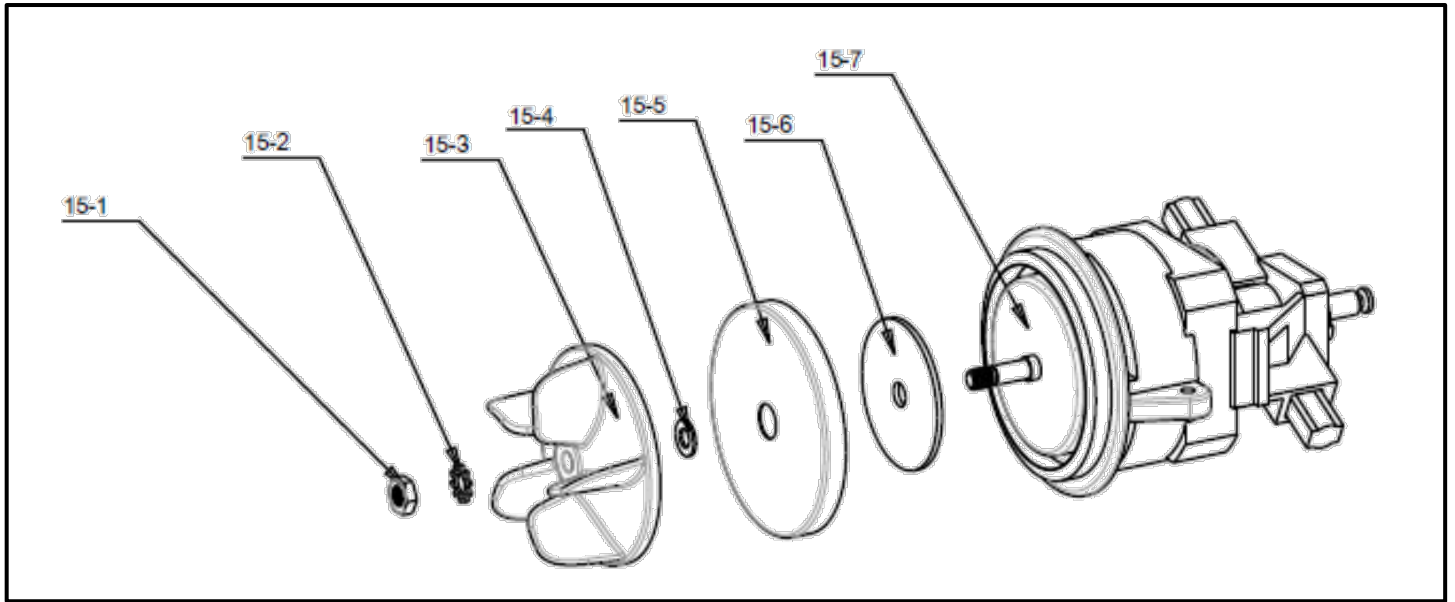


BGU8000 UPRIGHT PARTS LIST

100 Armstrong Road - Suite 101 - Plymouth, MA 02360
(800) 242-1378 Fax (877) 672-4566

Revised 8/15/14

Motor Assembly



Baseplate Complete

