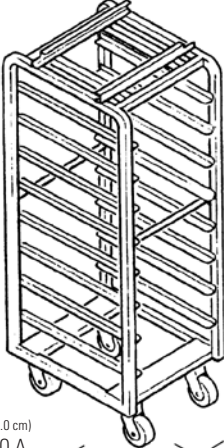
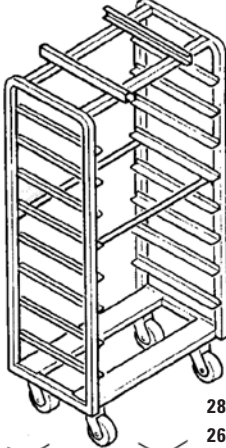
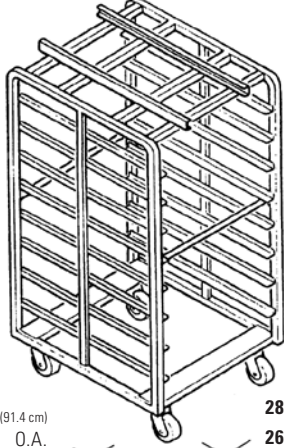




HEAVY DUTY RACKS FOR Double Rack Ovens

Single End Load	Single Side Load	Double Side Load
 <p>26" (66.0 cm) O.A. 20.38" (51.8 cm) O.A. 18.2" (46.2 cm) Pan Clearance</p>	 <p>18" (45.7 cm) O.A. 28.38" (72.1 cm) O.A. 26.2" (66.5 cm) Pan Clearance</p>	 <p>36" (91.4 cm) O.A. 28.38" (72.1 cm) O.A. 26.2" (66.5 cm) Pan Clearance</p>
Overall Height: 69.8" (177.3 cm)		

Ordering Information:

Slides		Single End Load for Double Rack Oven		Single Side Load for Double Rack Oven		Double Side Load for Double Rack Oven	
Qty	Space	Model No.	Weight	Model No.	Weight	Model No.	Weight
10	6**	BDSRSB-10	96 lbs (44 kg)	BDSSRSB-10	90 lbs (41 kg)	BDRSB-10	120 lbs (54 kg)
12	5**	BDSRSB-12	101 lbs (46 kg)	BDSSRSB-12	94 lbs (43 kg)	BDRSB-12	126 lbs (57 kg)
15	4**	BDSRSB-15	108 lbs (49 kg)	BDSSRSB-15	98 lbs (44 kg)	BDRSB-15	136 lbs (62 kg)
20	3**	BDSRSB-20	119 lbs (54 kg)	BDSSRSB-20	106 lbs (48 kg)	BDRSB-20	152 lbs (69 kg)

Shipping Options:

Add the following codes to the model number to specify shipping choice:

- **A** = Assembled & Welded
- **W** = Assembled & Fully Welded for Prisons

EX: BDSRSB-12A for Assembled & Welded.

Freight Class:

Shipped Assembled: Class 150

Double Rack Shipped Assembled: Class 250

* Slide surface to slide surface.

Construction 16-gauge stainless steel. Casters are 4" swivel type, with life-time lubricated wheel bearings. Rated for 580°F, 400 lbs. each.

Capacity Designed for 18" x 26" pans or 5-on bread strap pans for Side Load Rack. (Allow ±2 inches between finished products for best results.)

Baxter's Double Rotating Rack Oven will fit:

- 2 single racks (end load or side load)
- 1 double side load rack

Note: Oven racks are designed for use with the Baxter B-Lift carrier.

Area Reserved For Consultant & Contractor Approvals

Manufacturer reserves the right to make changes in sizes and specifications.



19220 State Route 162 East
Orting, WA 98360
www.baxtermfg.com

Factory
(360) 893-5554

Customer Care
(800) 777-2828
or
(800) 462-2778

Customer Care Fax
(937) 332-2852