

Continental



Refrigerator

SINGLE DRAFT BACK BAR STORAGE COOLER

Standard Features

Utilizing Environmentally Safe, CFC-free R-134a Refrigerant



BBC24



BBC24-GD

- Modern, State-of-the-Art Styling
- Performance Rated Refrigeration System Utilizing Environmentally Safe R-134a Refrigerant
- Wear Resistant Black Vinyl Coated Steel Exterior with 304 Series Stainless Steel Countertop
- Heavy-Duty, Long Lasting, Galvanized Steel Interior with Reinforced Stainless Steel Floor
- Stainless Steel Reinforced Threshold Sills for Ease of Loading
- Cylinder Keyed Security Lock and Magnetic Snap-In Gasket on Each Door
- Full Length, Extra Large, Non-Corrosive Evaporator Coil Provides Uniform Air Flow Distribution To Maintain Constant Product Temperature and Quick Uniform Recovery
- Easily Accessible and Serviceable Slide-Out Condensing Unit
- Readily Removable Rear Venting Louvred Grill and Side Louvres Allow Greater Condenser Air Flow for Tight Fit Installations
- Automatic, Energy Saving, Non-Electric Condensate Disposal
- High Density, Non-CFC Polyurethane Foamed-In-Place Insulation
- 4" Locking Casters
- Heavy Duty Adjustable Epoxy Coated Steel Shelves

Optional Features & Accessories

- SS Models -
- Steel Exterior,
- Galvanized Steel Interior
- Additional Shelves
- Electric Condensate
- Remote Models -R





REFRIGERATORS

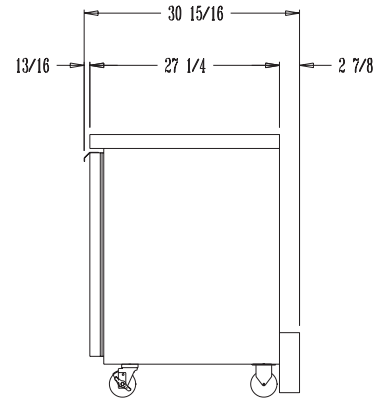
SPECIFICATIONS

DIMENSIONAL DATA

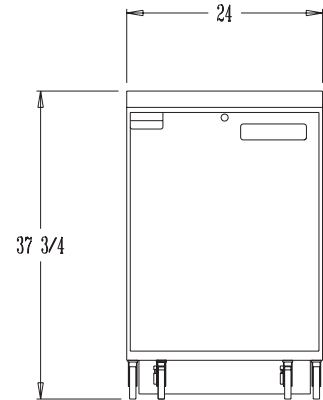
	BBC24	BBC24-GD
Net Capacity (cu. ft.)	8	8
Barrel Capacity — (# of Barrel Type Kegs)	1	1
Straight Wall Capacity — (# of Straight Wall Kegs)	1	1
Width, Overall (in.)	24	24
Depth, Overall, (in.)	31 ¹ / ₈	31 ¹ / ₈
Height, Overall (in.)	38 ¹ / ₂	38 ¹ / ₂
Number of Doors	1	1
Condensing Unit Size (H.P.)	1 ¹ / ₅	1 ¹ / ₅
Refrigerant	R-134a	R-134a
Cabinet Electrical Specs	115/60/1	115/60/1
Total Amps	5.8	5.8
Power Supply Cord (10 ft.)	YES	YES
Shipping Weight (lbs.)	175	175
Shipping Height (in.)	43 ¹ / ₄	43 ¹ / ₄
Shipping Length (in.)	35 ³ / ₄	35 ³ / ₄
Shipping Depth (in.)	37 ¹ / ₄	37 ¹ / ₄

Note: A minimum clearance of 3" on each side front and rear of cabinet is required for optimum performance

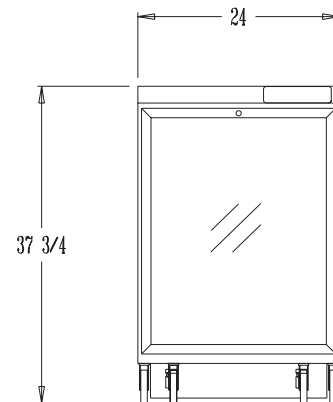
Note: All specifications subject to change without notice.



BBC24 SIDE VIEW



BBC24 FRONT VIEW



BBC24-GD FRONT VIEW



A Division of National Refrigeration & A/C Products, Inc.
 539 Dunksferry Road Bensalem, PA 19020
 (800) 523-7138 Fax: (215) 244-9579
 www.continentalrefrigerator.com