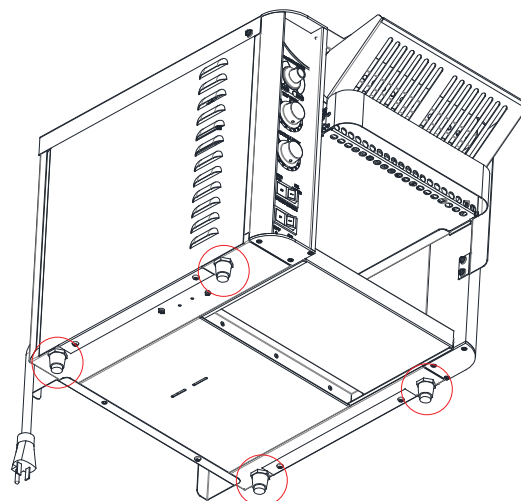
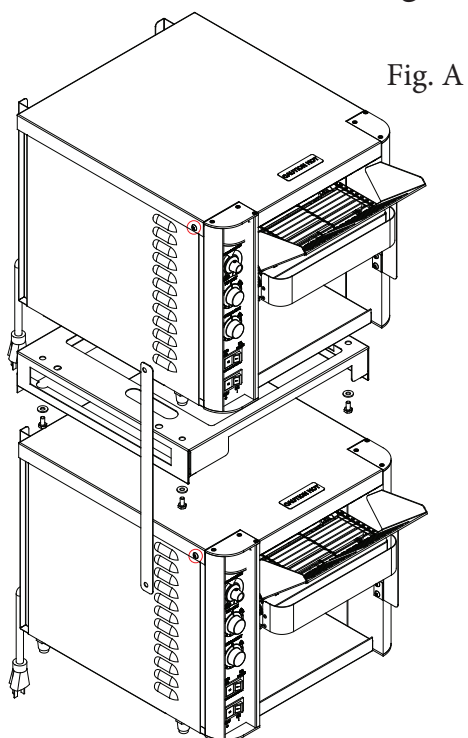


Step 1: Remove (1) screw from upper left side of each unit. Screws circled in red in Fig. A



Step 2: Remove all (4) legs from upper unit. Legs circled in red in Fig. B

Step 3: Use (4) 1/4-20 bolts and (4) washers to attach the frame HC-Z24538 to the bottom side of the upper unit by aligning the holes in the frame with the leg mount holes in the unit. See red lines for hole locations in Fig. C

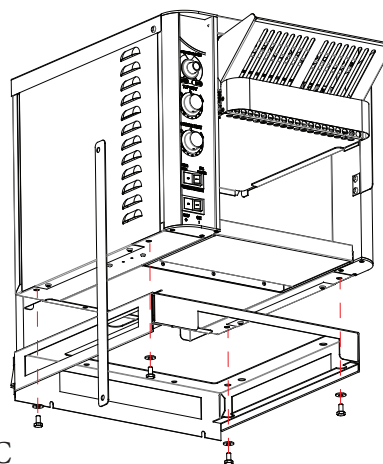
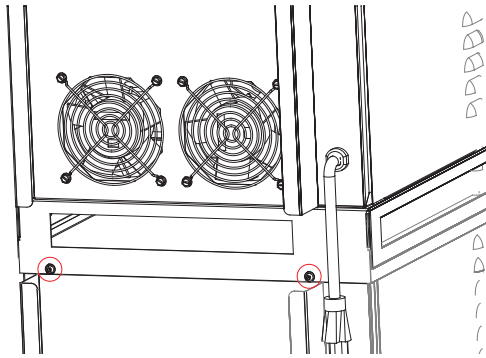


Fig. D



Step 4: Remove (2) screws from top rear of lower unit and add (1) #10 2C-89059 washer to each. Then place upper unit and frame on top of lower unit aligning slots in frame with screw holes on rear of lower unit and reinstall screws and washers. Screws circled in red in Fig. D

Step 5: Add (1) v#10 2C-89059 washer to each of the (2) screws removed in step 1 and attach HC-Z24553 strap to upper and lower unit using these screws and washers. Screws circled in red in Fig. E

